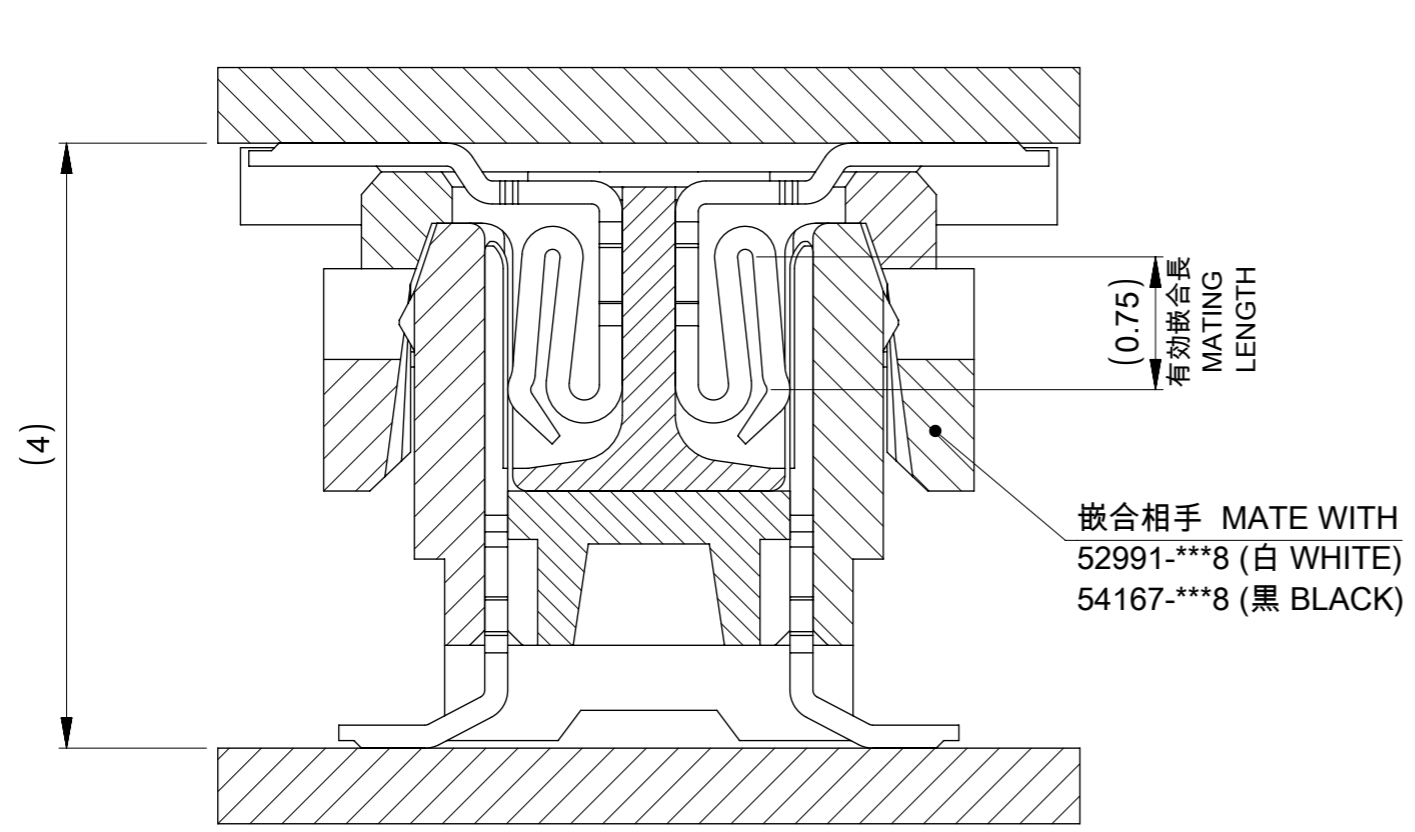


NOTES

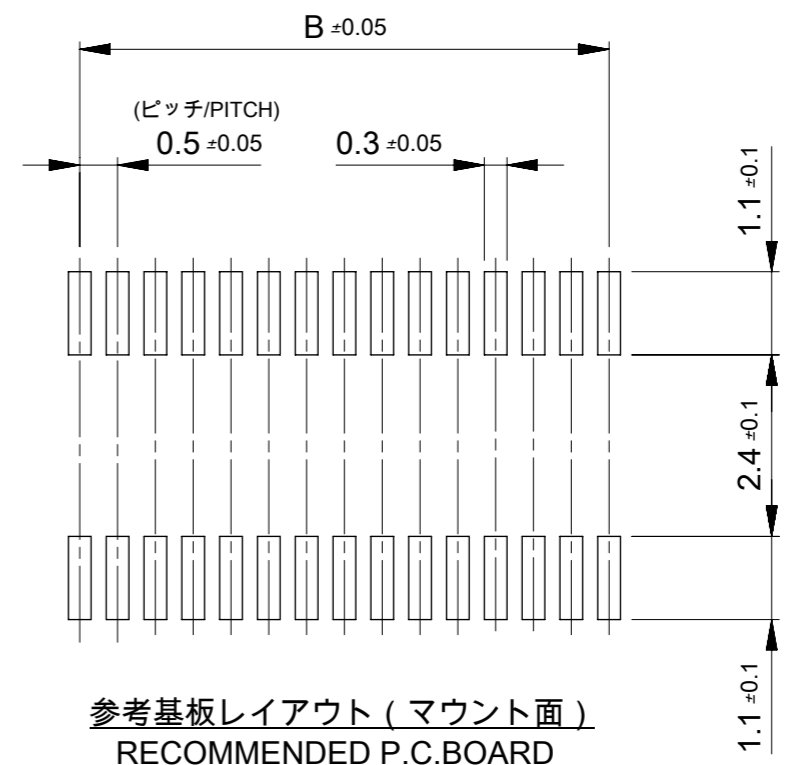
- 材質  
MATERIAL  
ハウジング : LCP ( 液晶ポリマー )、ガラス充填、黒色、UL94V-0  
HOUSING: GLASS FILLED LIQUID CRYSTAL POLYMER ,BLACK ,UL94V-0  
ターミナル : 銅合金 ( t=0.15)  
TERMINAL: COPPER ALLOY (t=0.15)
- メッキ仕様  
PLATING  
ターミナル  
TERMINAL  
接点部 : 金メッキ  
CONTACT AREA:GOLD  
半田付け部 : 錫メッキ  
SOLDER TAIL AREA : TIN  
下地メッキ : ニッケルメッキ  
UNDER PLATING : NICKEL
- テール平坦度 : 0.1 MAXIMUM  
COPLANARITY: 0.1 MAXIMUM
- ELV AND RoHS COMPLIANT.
- 嵌合相手 : 52991シリーズ (嵌合高さ = 4mm)、54167シリーズ (嵌合高さ = 4mm)  
MATE WITH: 52991 SERIES (HEIGHT = 4mm), AND 54167 SERIES (HEIGHT = 4mm)

12.74	12	14.8	501920-5001	50
10.24	9.5	12.3	501920-4001	40
7.74	7.0	9.8	501920-3001	30
C	B	A	EMBOSSSED TAPE	極数
			ORDER No.	CIRCUIT
CONNECTOR SERIES No.			501920-**09	

THIS DRAWING CONTAINS INFORMATION THAT IS PROPRIETARY TO MOLEX ELECTRONIC TECHNOLOGIES, LLC AND SHOULD NOT BE USED WITHOUT WRITTEN PERMISSION		CURRENT REV DESC: REVISED		<b>molex</b>	
DIMENSION UNITS	SCALE	EC NO: 642297			
mm	10:1	DRWN: SUDAYGUNAGI		PRODUCT CUSTOMER DRAWING	
GENERAL TOLERANCES (UNLESS SPECIFIED)		CHK'D: HSHIMYOYAMA		DOCUMENT NUMBER	
ANGULAR TOL ± 10°		APPR: SHOSHIKAWA		SD-501920-001	
4 PLACES ± 0.2		INITIAL REVISION:		DOC TYPE	
3 PLACES ± 0.25		DRWN: M. I SOGAYA		DOC PART	
2 PLACES ± 0.3		APPR: M. SASAO		REVISION	
1 PLACE ± 0.1		2005/08/17		001	
0 PLACES ±		2005/08/17		C	
ANGULAR±1°		THIRD ANGLE PROJECTION		SHEET NUMBER	
DRAFT WHERE APPLICABLE MUST REMAIN WITHIN DIMENSIONS		DRAWING		1 OF 2	
		SERIES		GENERAL	
		MATERIAL NUMBER		SEE TABLE	
		CUSTOMER		GENERAL	

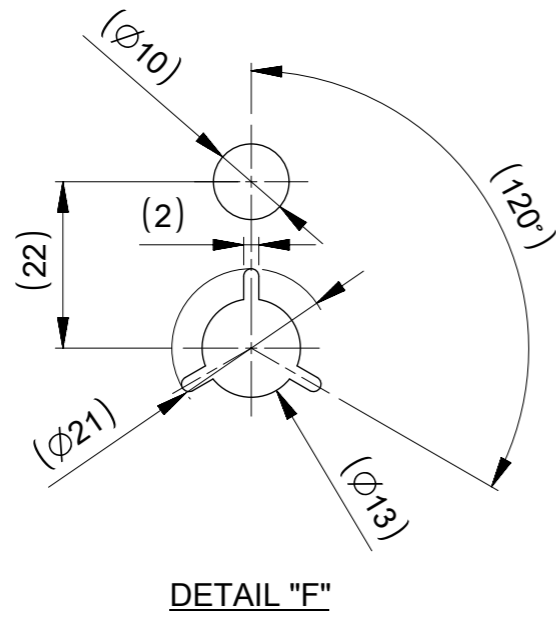
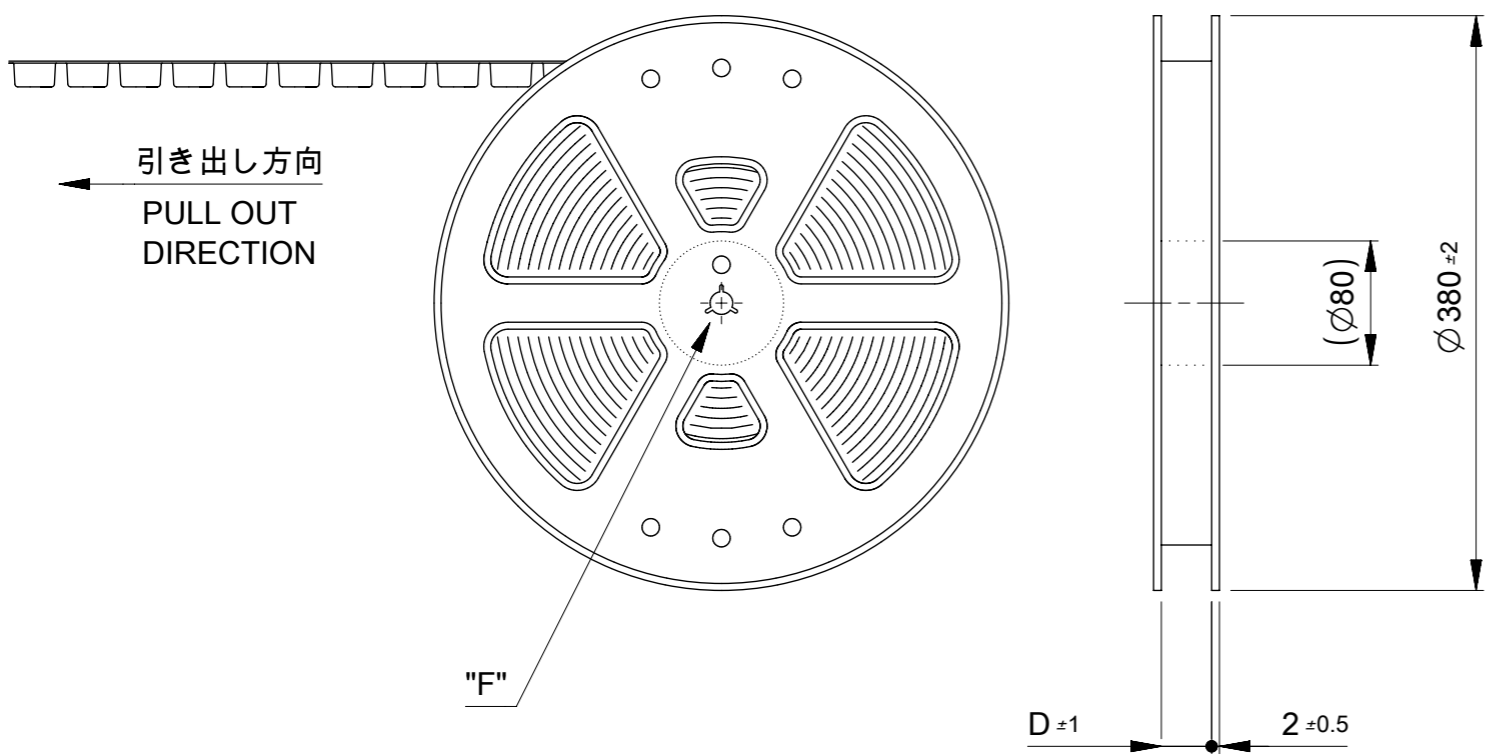


嵌合断面図 (参考)  
MATED DRAWING (REF.)



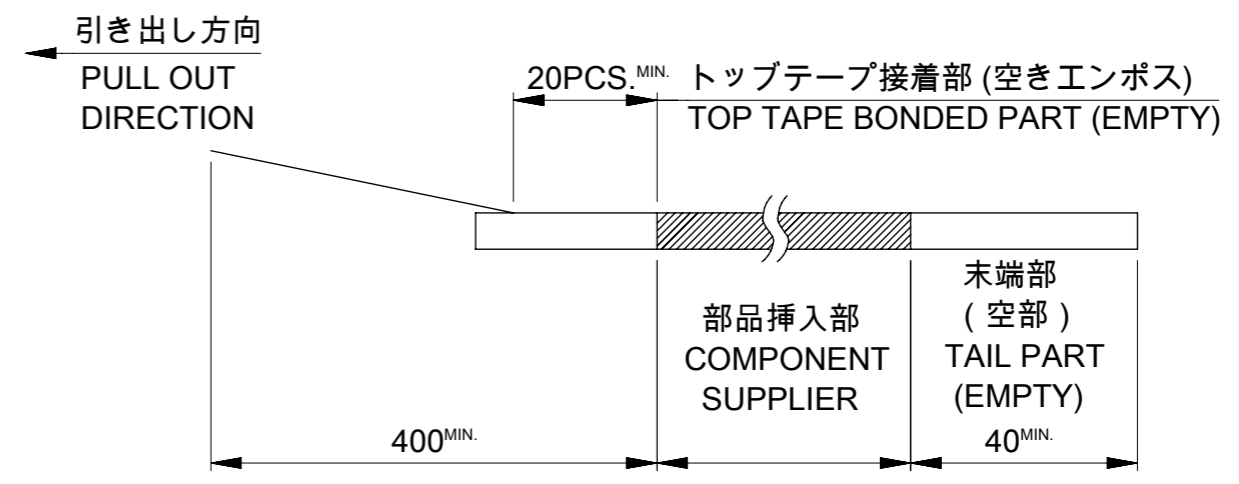
参考基板レイアウト (マウント面)  
RECOMMENDED P.C.BOARD  
PATTERN DIMENSION (REF.)  
(MOUNTING AREA) (SCALE 10:1)

THIS DRAWING CONTAINS INFORMATION THAT IS PROPRIETARY TO MOLEX ELECTRONIC TECHNOLOGIES, LLC AND SHOULD NOT BE USED WITHOUT WRITTEN PERMISSION		CURRENT REV DESC: REVISED		<b>molex</b>	
DIMENSION UNITS: mm		SCALE: 20:1			
GENERAL TOLERANCES (UNLESS SPECIFIED)		GENERAL TOLERANCES (UNLESS SPECIFIED)		PRODUCT CUSTOMER DRAWING	
ANGULAR TOL ± 10°		ANGULAR TOL ± 10°		DOCUMENT NUMBER: SD-501920-001	
4 PLACES ± 0.2		4 PLACES ± 0.2		DOC TYPE: PSD	
3 PLACES ± 0.25		3 PLACES ± 0.25		DOC PART: 001	
2 PLACES ± 0.3		2 PLACES ± 0.3		REVISION: C	
1 PLACE ± 0.1		1 PLACE ± 0.1		MATERIAL NUMBER: SEE SHEET 1	
0 PLACES ±		0 PLACES ±		CUSTOMER: GENERAL	
DRAFT WHERE APPLICABLE MUST REMAIN WITHIN DIMENSIONS		DRAFT WHERE APPLICABLE MUST REMAIN WITHIN DIMENSIONS		SHEET NUMBER: 2 OF 2	
THIRD ANGLE PROJECTION		DRAWING: A3-SIZE		SERIES: 501920	
EC NO: 642297		DRWN: M. I SOGAYA		DATE: 2005/08/17	
DRWN: SUDAYGUNAGI		CHK'D: HSHIMYOYAMA		DATE: 2020/11/30	
APPR: SHOSHIKAWA		APPR: M. SASAO		DATE: 2005/08/17	



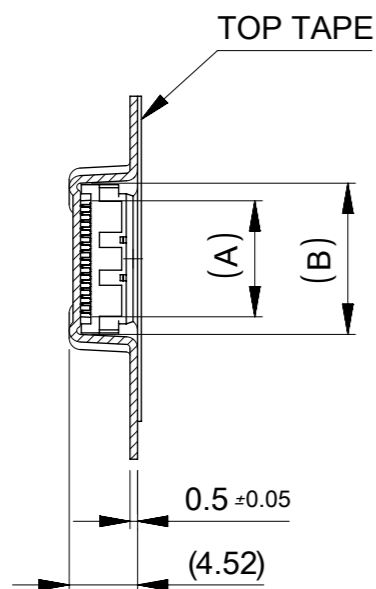
**NOTES**

- 製品詳細寸法については、製品単体図面を参照下さい。  
DETAIL DIMENSIONS, SEE SD-501920-001
- 梱包数量：1500個 / リール  
NUMBER OF CONNECTORS : 1500PCS/REEL
- リードテープ長さ  
LEAD TAPE LENGTH

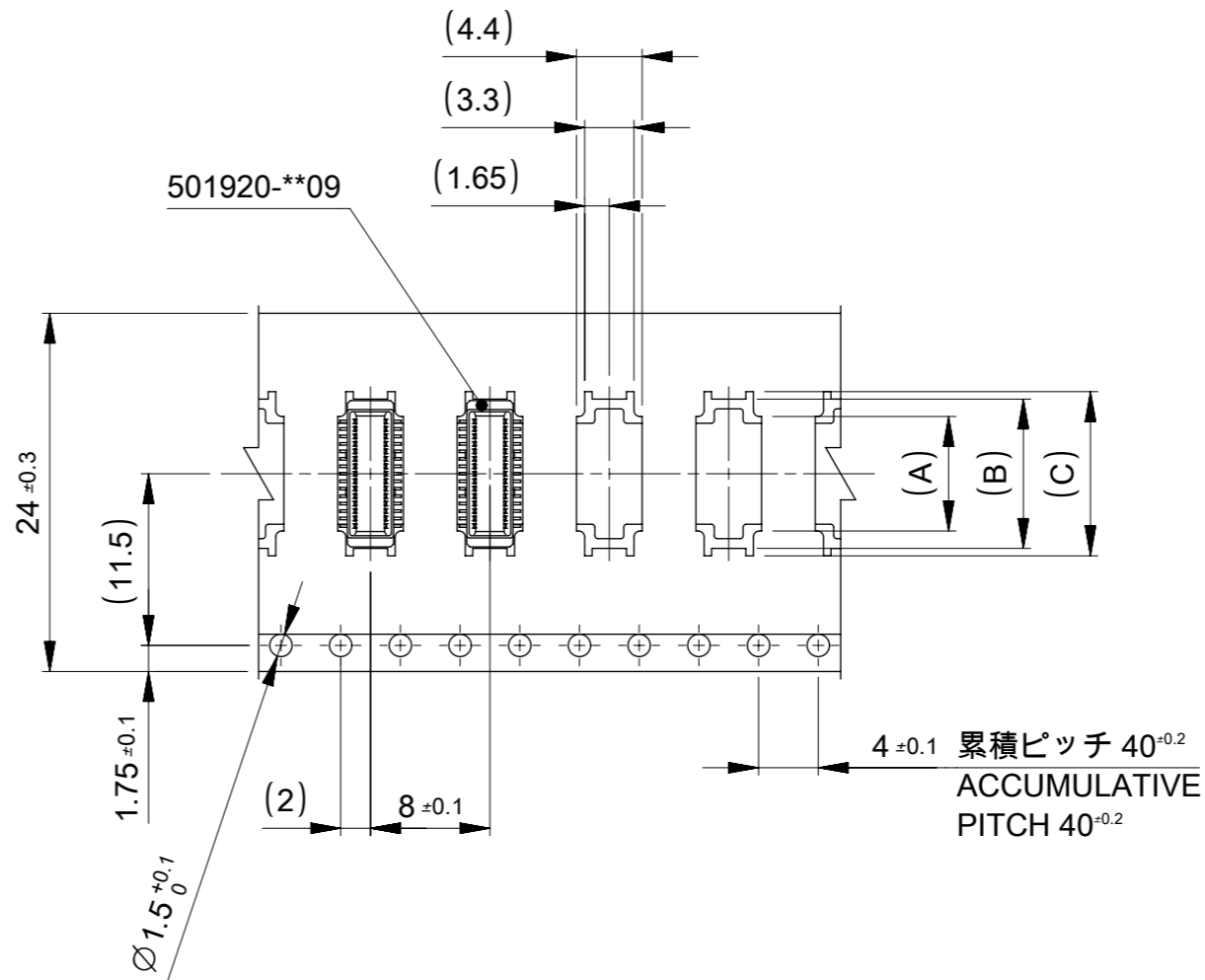


- カバートープの剥離強度については、IEC60286-3に準拠  
COVER TAPE PEEL FORCE IS DEFINED BY IEC60286-3.
- 材料 MATERIAL  
キャリアテープ：ポリプロピレン  
トップテープ：PET, PE, PEF  
リール：ポリスチレン (PS) <リサイクル材を含む>  
CARRIER TAPE : POLYPROPYLENE  
TOP TAPE : PET, PE, PEF  
REEL : POLYSTYREN(PS) <RECYCLE MATERIAL CONTANED>
- ELV AND RoHS COMPLIANT.

THIS DRAWING CONTAINS INFORMATION THAT IS PROPRIETARY TO MOLEX ELECTRONIC TECHNOLOGIES, LLC AND SHOULD NOT BE USED WITHOUT WRITTEN PERMISSION		CURRENT REV DESC: REVISED		<b>molex</b>	
DIMENSION UNITS: mm		SCALE: ---			
GENERAL TOLERANCES (UNLESS SPECIFIED)		ANGULAR TOL ± 10°		EC NO: 649457	
4 PLACES ± 0.2		3 PLACES ± 0.25		DRWN: SUDAYGUNAGI 2020/08/10	
10 <sup>OVER</sup> 30 <sup>UNDER</sup> ± 0.25		2 PLACES ± 0.3		CHK'D: HSHIMUYAMA 2020/12/02	
30 <sup>OVER</sup> ± 0.3		1 PLACE ± 0.1		APPR: SHOSHIKAWA 2020/12/02	
ANGULAR ± 1°		0 PLACES ±		INITIAL REVISION:	
DRAFT WHERE APPLICABLE MUST REMAIN WITHIN DIMENSIONS		DRAFT WHERE APPLICABLE MUST REMAIN WITHIN DIMENSIONS		DRWN: M. I SOGAYA 2005/08/18	
		THIRD ANGLE PROJECTION		APPR: M. SASAO 2005/08/18	
		DRAWING: A3-SIZE		SERIES: 501920	
		MATERIAL NUMBER: SEE SHEET 2		CUSTOMER: GENERAL	
		DOCUMENT NUMBER: SD-501920-002		DOC TYPE: PSD	
		DOC PART: 001		REVISION: C	
		SHEET NUMBER: 1 OF 2			



引き出し方向  
PULL OUT  
DIRECTION



24mm 幅キャリアテープ  
24mm WIDTH CARRIER TAPE

24	25.4	16.0	15.0	12.67	501920-5001	50
		13.5	12.5	10.17	501920-4001	40
		11.0	10.0	7.67	501920-3001	30
キャリアテープ幅 CARRIER TAPE WIDTH	D	(C)	(B)	(A)	MATERIAL NO.	CIRCUIT

THIS DRAWING CONTAINS INFORMATION THAT IS PROPRIETARY TO MOLEX ELECTRONIC TECHNOLOGIES, LLC AND SHOULD NOT BE USED WITHOUT WRITTEN PERMISSION

DIMENSION UNITS mm		SCALE ---		CURRENT REV DESC: REVISED		<b>molex</b>	
GENERAL TOLERANCES (UNLESS SPECIFIED)		ANGULAR TOL ± 10°		EC NO: 649457			
10 <sup>UNDER</sup> ± 0.2		4 PLACES ± 0.2		DRWN: SUDAYGUNAGI		2020/08/10	
10 <sup>OVER</sup> 30 <sup>UNDER</sup> ± 0.25		3 PLACES ± 0.25		CHK'D: HSHIMUYAMA		2020/12/02	
30 <sup>OVER</sup> ± 0.3		2 PLACES ± 0.3		APPR: SHOSHIKAWA		2020/12/02	
ANGULAR ± 1°		1 PLACE ± 0.1		INITIAL REVISION:		DOCUMENT NUMBER	
DRAFT WHERE APPLICABLE MUST REMAIN WITHIN DIMENSIONS		0 PLACES ±		DRWN: M. I SOGAYA		SD-501920-002	
		DRAFT WHERE APPLICABLE MUST REMAIN WITHIN DIMENSIONS		APPR: M. SASAO		PSD 001 C	
		THIRD ANGLE PROJECTION		DRAWING		SERIES	
		A3-SIZE		501920		MATERIAL NUMBER	
				SEE TABLE		CUSTOMER	
				GENERAL		SHEET NUMBER	
				2 OF 2			