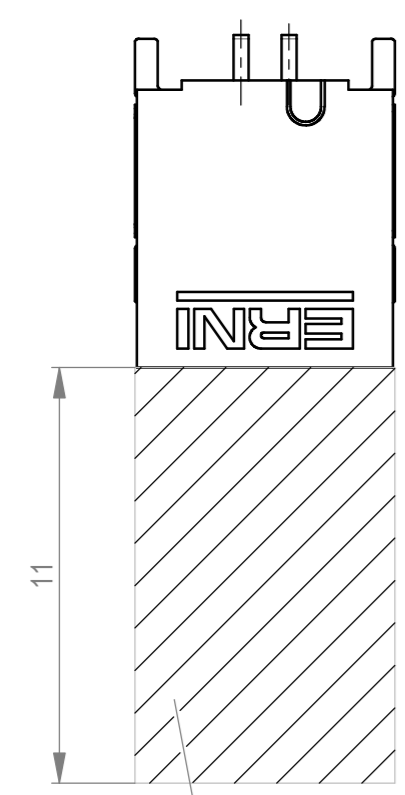
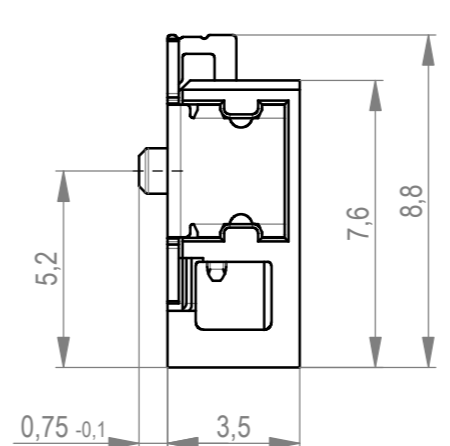
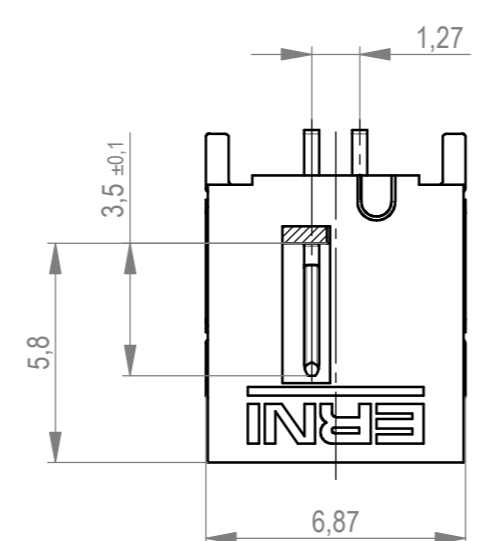
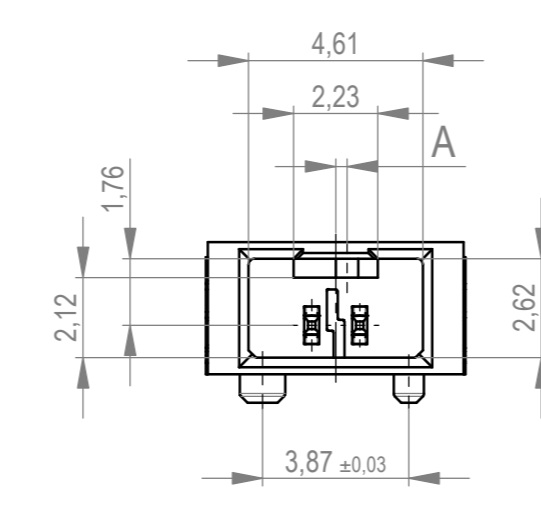
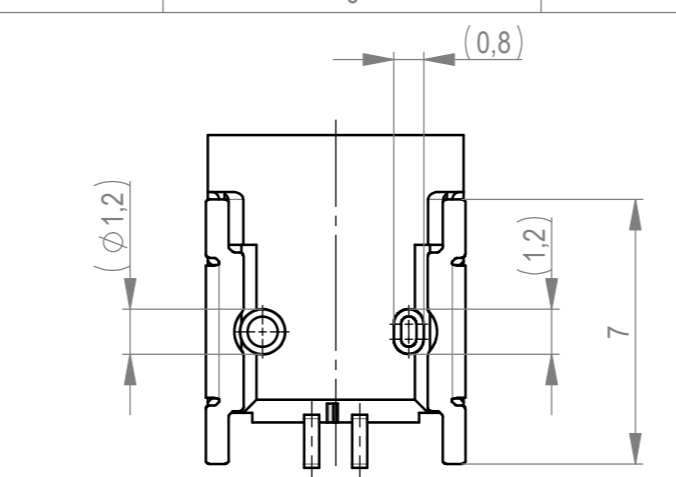
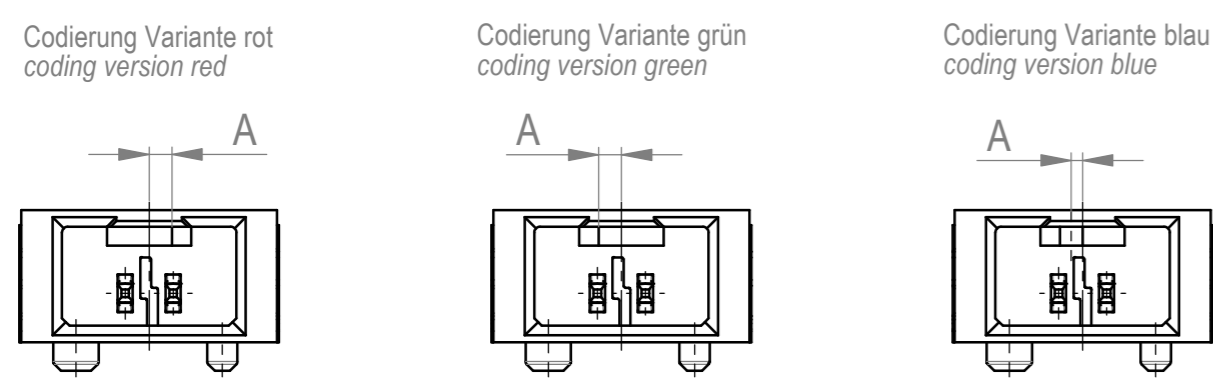
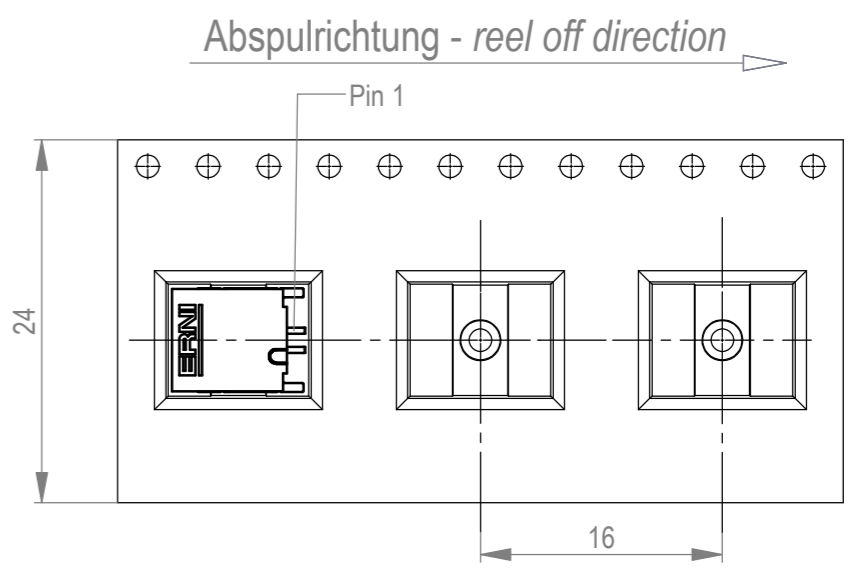
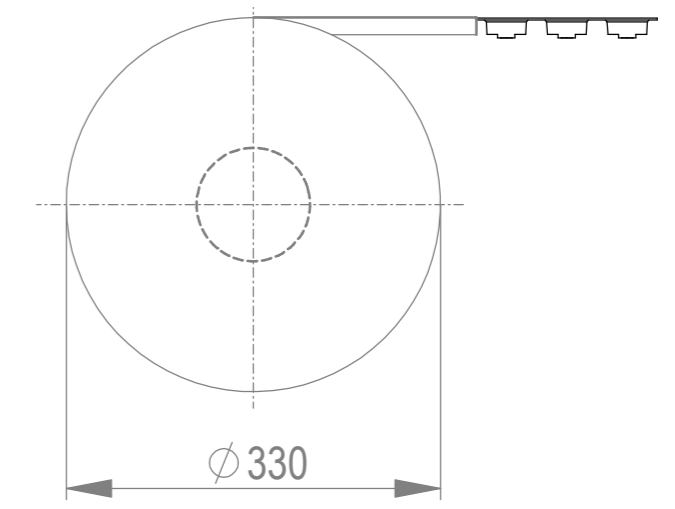
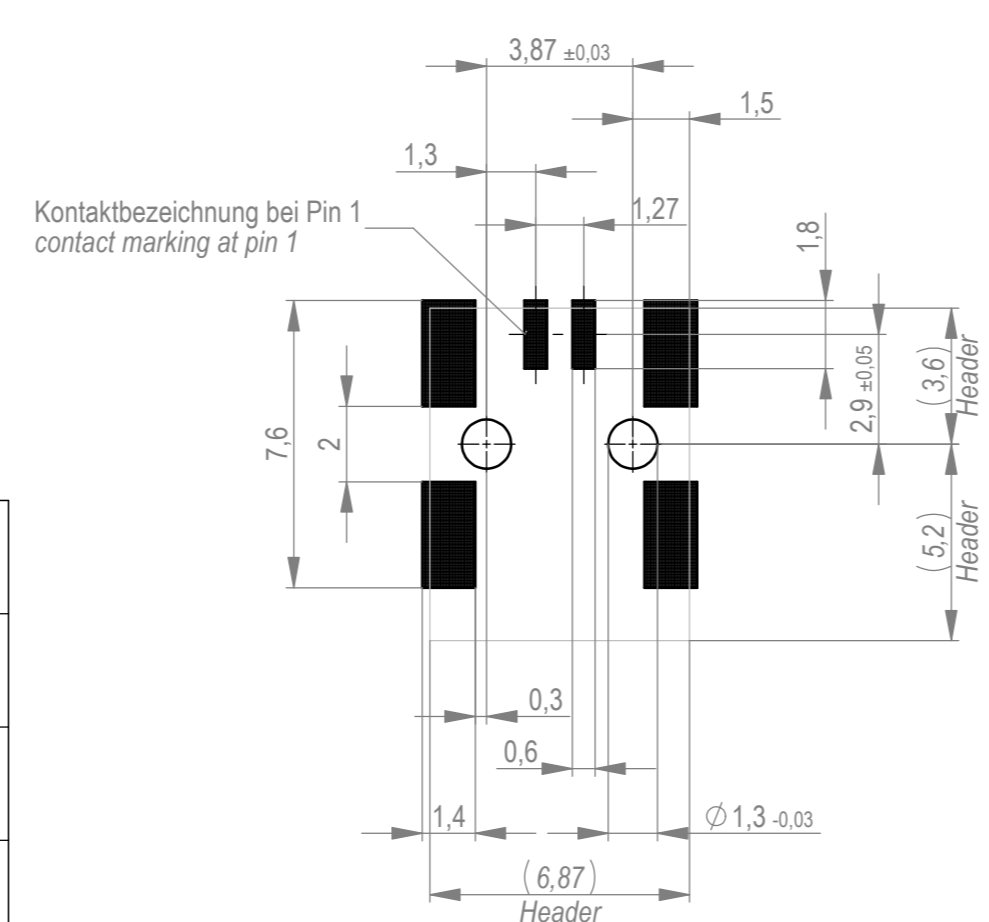


Verpackt im Gurt in Anlehnung an DIN IEC 60286-3  
 tape on reel packaging according to DIN IEC 60286-3  
 Verpackungseinheit: 900 Stück  
 packaging unit: 900 pcs



Layoutvorschlag  
 recommended layout



Sperrfläche für Leiterbahnen gültig bei Verwendung von  
 Gegenstecker Federleiste 90° in IDC Ausführung  
 Restricted area for conductors valid for use by mating  
 female connector 90° in IDC version

Anforderungsstufe 1  
 performance level 1  
 Kontaktbereich vergoldet  
 mating area gold plating  
 Anschlussbereich verzinkt 4-6 µm  
 terminal area 4-6 µm tin plating  
 Koplanarität der Anschlüsse ≤ 0,1 mm  
 coplanarity area of termination ≤ 0,1 mm

504238		rot red	0,6	
504237		grün green	0,6	
504236		blau blue	0,3	
504235		schwarz black	0,3	
Ident-Nr. part-no.	Codierung coding	Farbe colour	A	Bemerkung remark

Die deutsche Version dieser Zeichnung dient nur zur Erläuterung der  
 Handlung. Bei Abweichungen vom englischen Original gilt das  
 englische Original. This drawing has been created for convenience only  
 and may deviate from the original.  
 In case of any deviation the English version shall prevail.  
 The English version of this drawing has been created for convenience only  
 and may deviate from the original.  
 In case of any deviation the English version shall prevail.  
 We reserve the right to change the design without notice.  
 All dimensions are in mm unless otherwise specified.  
 All rights reserved.

Dimension no.	Tolerances ISO 2768-FH ISO 8015		Scale 5:1 Material
Customer drawing: All rights reserved. Only for information. To ensure that this is the latest version of this drawing, please contact one of the ERNI companies before using.	Subject to modification without prior notice. Drawing will not be updated.		MicroBridge Male Angeled SMT 02-pin 504234
c	23.09.2020		ERNI International AG Zürichstrasse 72 8306 Brüttisellen - Zürich Switzerland
Index	Date	Class	MCBA