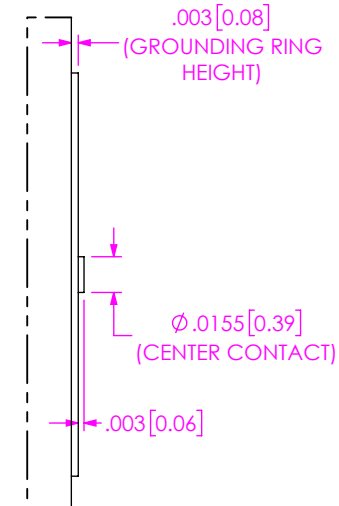
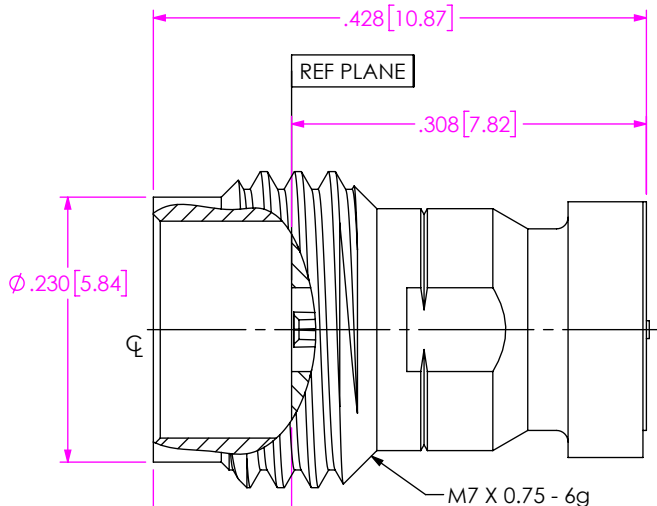
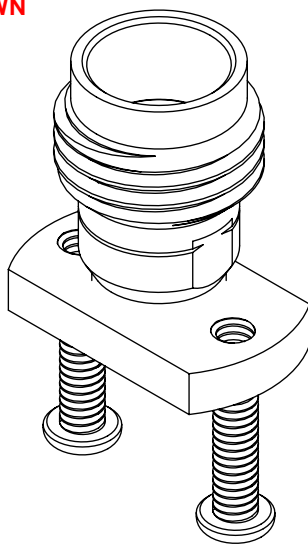


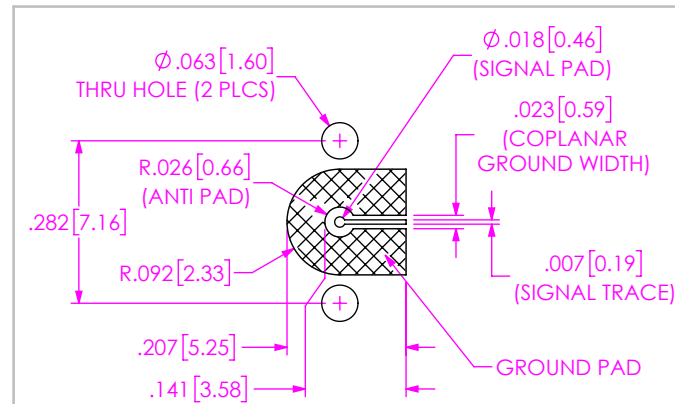
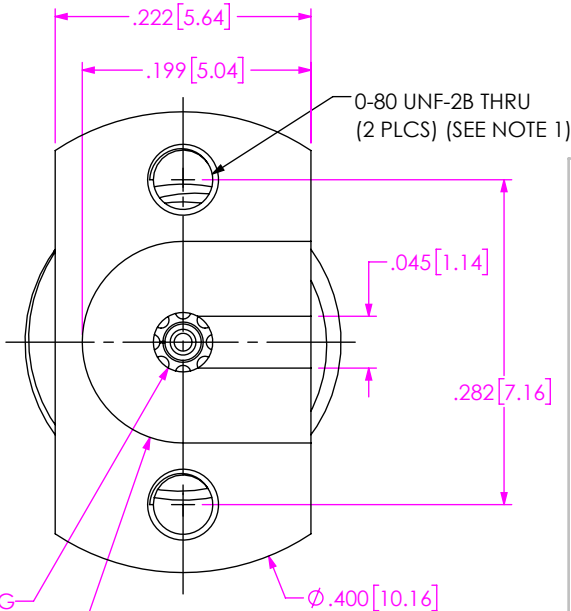
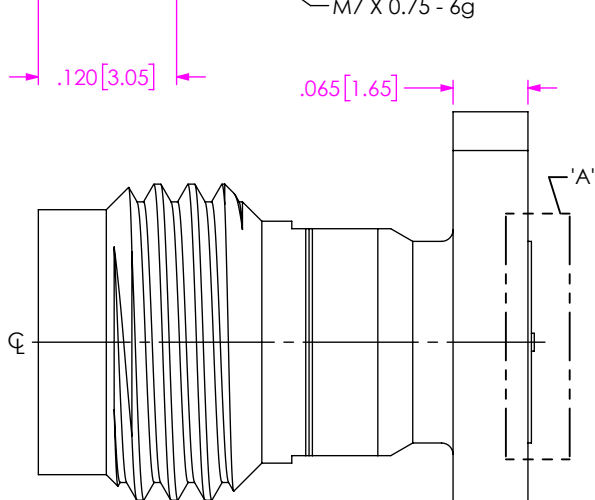
DO NOT
SCALE FROM
THIS PRINT

185-J-P-EP-ST-CMM-X

- GENDER**
-J: JACK
- TYPE**
-P: PCB
- FINISH**
-EP: 50µ" EXTRA HEAVY GOLD
CENTER CONTACT, PASSIVATED
OUTER CONTACT
- OPTION**
-1: OPTION 1 (WITHOUT SCREWS)
-2: OPTION 2 (WITH SCREWS)
- TERMINATION**
-CMM: COMPRESSION MOUNT
MICROSTRIP
- ORIENTATION**
-ST: STRAIGHT



DETAIL 'A'
SCALE 12 : 1



RECOMMENDED PCB LAYOUT
(SEE NOTE 2)

FIG 1
185-J-P-EP-ST-CMM-X SHOWN

NOTES:

1. RECOMMENDED TORQUE 0.5~0.8 INCH-POUNDS.
2. THIS IS A GENERAL FOOTPRINT AND IS NOT OPTIMIZED FOR ELECTRICAL PERFORMANCE, CONTACT SIG@SAMTEC.COM FOR ASSISTANCE WITH ELECTRICAL LAYOUT.

R.088 [2.22]
(GROUNDING RING
OUTSIDE DIAMETER)

R.026 [0.66]
(GROUNDING RING
INSIDE DIAMETER)

0-80 UNF-2B THRU
(2 PLCS) (SEE NOTE 1)

PROPRIETARY NOTE

THIS DOCUMENT CONTAINS CONFIDENTIAL AND PROPRIETARY INFORMATION AND ALL DESIGN, MANUFACTURING, REPRODUCTION, USE, PATENT RIGHTS AND SALES RIGHTS ARE EXPRESSLY RESERVED BY SAMTEC, INC. THIS DOCUMENT SHALL NOT BE DISCLOSED, IN WHOLE OR PART, TO ANY UNAUTHORIZED PERSON OR ENTITY NOR REPRODUCED, TRANSFERRED OR INCORPORATED IN ANY OTHER PROJECT IN ANY MANNER WITHOUT THE EXPRESS WRITTEN CONSENT OF SAMTEC, INC.



520 PARK EAST BLVD, NEW ALBANY, IN 47150
PHONE: 812-944-6733 FAX: 812-948-5047
e-Mail: info@SAMTEC.com code: 55322

MATERIAL: DO NOT SCALE DRAWING
SHEET SCALE: 6:1
BODY, BUSHING & SCREW: STAINLESS STEEL
SOCKET: COPPER ALLOY

DESCRIPTION:
1.85MM ST JACK FOR COMPRESSION MOUNT MICROSTRIP

DWG. NO.
185-J-P-EP-ST-CMM-X