



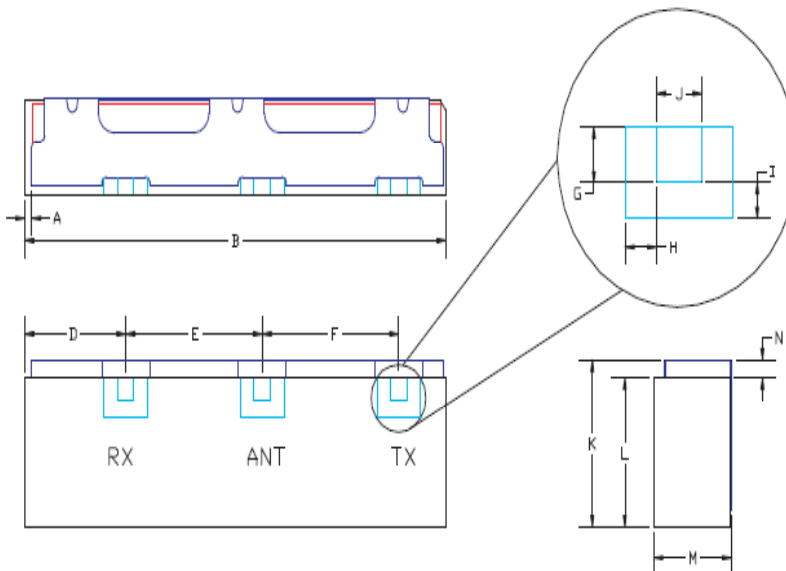
<u>Characteristics</u>	<u>Band 1</u>	<u>Band 2</u>
<b>Passband:</b>	880-915 MHz	925-960 MHz
<b>Bandwidth:</b>	35 MHz	35 MHz
<b>Passband Return Loss:</b>	10.5 dB min	10.5 dB min
<b>Passband Insertion Loss:</b>	3.8 dB max	3.9 dB max
<b>Passband Ripple:</b>	2.6 dB max	2.6 dB max
<b>Input / Output Impedance:</b>	50 Ohms	50 Ohms
<b>Isolation:</b>	30.5 dB min	40.5 dB min
<b>Power Handling:</b>	1 W max	1 W max

<u>Mechanical</u>	
<b>Mounting Method:</b>	SMT
<b>Dimensions:</b>	21.54 x 9 x 4 mm

<u>Environmental</u>	
<b>Operating Temperature:</b>	-40 to +70 deg.C
<b>Storage Temperature:</b>	-50 to +90 deg.C

**This product is RoHs compliant.**

**Outline Drawing:**



Dim	Nominal (mm)	Tolerance (mm) +/- or max
A		
B	21.54	max
C		
D	2.72	0.20
E	7.95	0.20
F	7.95	0.20
G	0.76	0.13
H	1.00	0.13
I	1.00	0.13
J	0.76	0.13
K	9.00	max
L	8.00	0.20
M	4.00	max
N	0.80	0.13



**Response Plot:**

