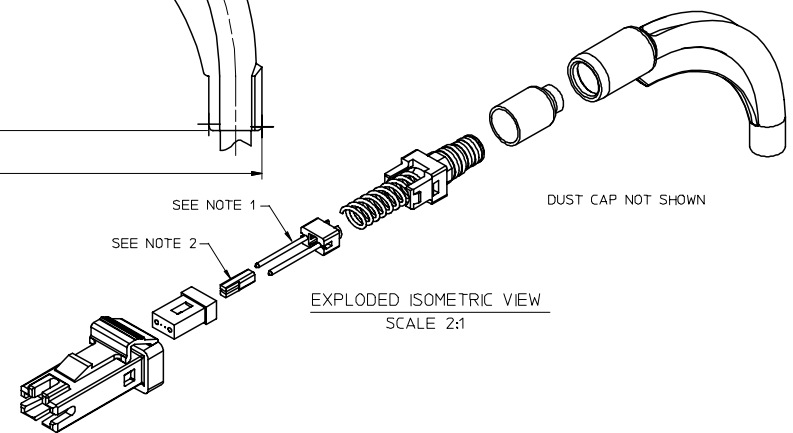
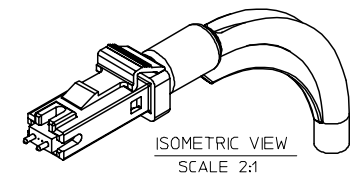
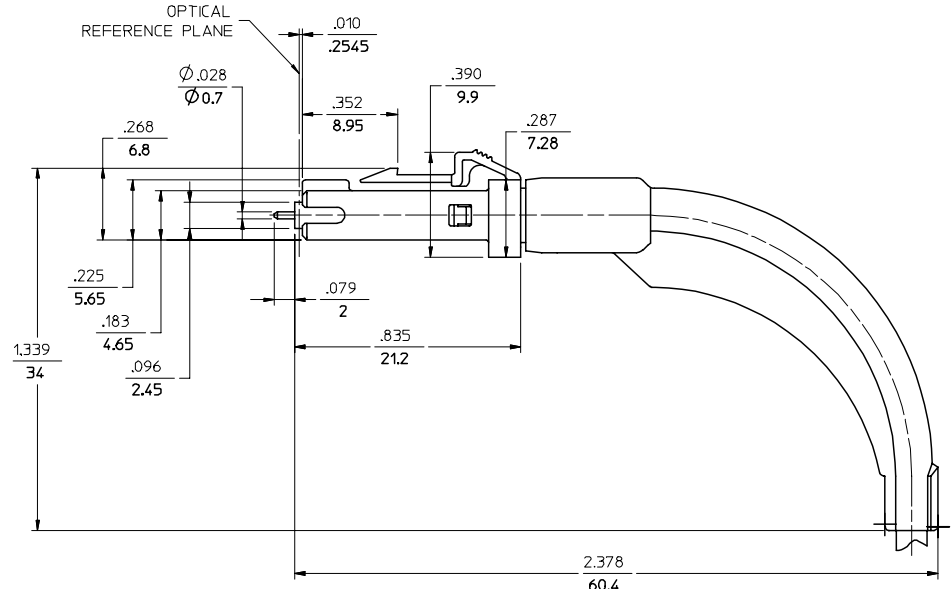
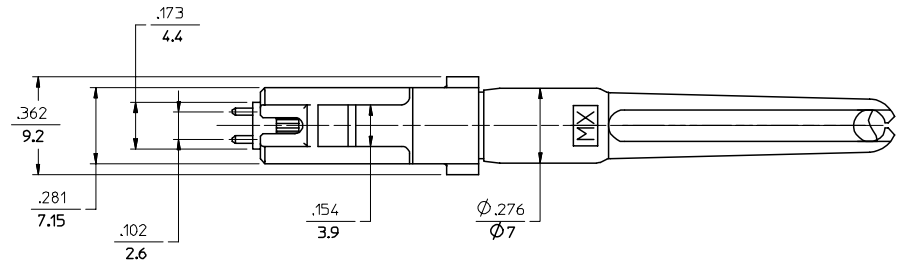


CONNECTOR P/N	CONNECTOR TYPE	BOOT COLOR
106002-3400	MALE MULTIMODE	BEIGE
106003-3400	FEMALE MULTIMODE	BEIGE
106002-5400	MALE SINGLEMODE	BLUE
106003-5400	FEMALE SINGLEMODE	BLUE
106002-3430	MALE MULTIMODE	BLACK
106003-3430	FEMALE MULTIMODE	BLACK



AVAILABLE CABLE TYPES

CABLE TYPE 1	CABLE TYPE 2	CABLE TYPE 3
2 FIBER DUAL LINK WITH Ø2.8mm JACKET	2 FIBER ZIPCORD 3.5mm X 1.6mm	2 FIBER RIBBON WITH Ø 2.9mm JACKET

- NOTES:
- DUST CAP NOT SHOWN, BUT INCLUDED.
 - MALE CONNECTOR SHOWN, FEMALE CONNECTOR DOES NOT CONTAIN PINS.
 - CABLE TYPE 1 & 2 DO NOT REQUIRE FERRULE BOOT.
 - SEE PROCEDURE 0A1131 FOR ASSEMBLY INSTRUCTIONS.

ENTER DESCRIPTION FC NO: MF2006-0340 DRAWN/RPACIFICI 2005/11/29 CHKD: 2005/11/29 APPR: JGUMIN 2005/11/29 REVISIONS A	QUALITY SYMBOLS ▽=0 ▽=0	GENERAL TOLERANCES (UNLESS SPECIFIED) mm INCH 4 PLACES ± --- ± --- 3 PLACES ± --- ± --- 2 PLACES ± --- ± --- 1 PLACE ± --- ± --- ANGULAR ±1/2°	DIMENSION STYLE IN/MM DRAWN BY RPACIFICI DATE 2005/10/20 CHECKED BY DATE APPROVED BY DATE	SCALE 3:1 DESIGN UNITS INCH THIRD ANGLE PROJECTION	TITLE MT-RJ CONNECTOR (90D BOOT)
		DRAFT WHERE APPLICABLE MUST REMAIN WITHIN DIMENSIONS	MATERIAL NO. SEE TABLE SIZE C	DOCUMENT NO. SD-10600X-X4X0 THIS DRAWING CONTAINS INFORMATION THAT IS PROPRIETARY TO MOLEX INCORPORATED AND SHOULD NOT BE USED WITHOUT WRITTEN PERMISSION	SHEET NO. 1 OF 01