

# **TPA3117D2EVM Audio Amplifier Evaluation Module**

---



---



---

This evaluation module allows users to evaluate the Texas Instruments TPA3117D2 audio amplifier. This user's guide contains an operations description, schematic, printed-circuit board layout, and the bill of materials.

### **Contents**

1	Introduction .....	2
2	Operation .....	4
3	Schematic, Layout, and Bill of Materials .....	5

### **List of Figures**

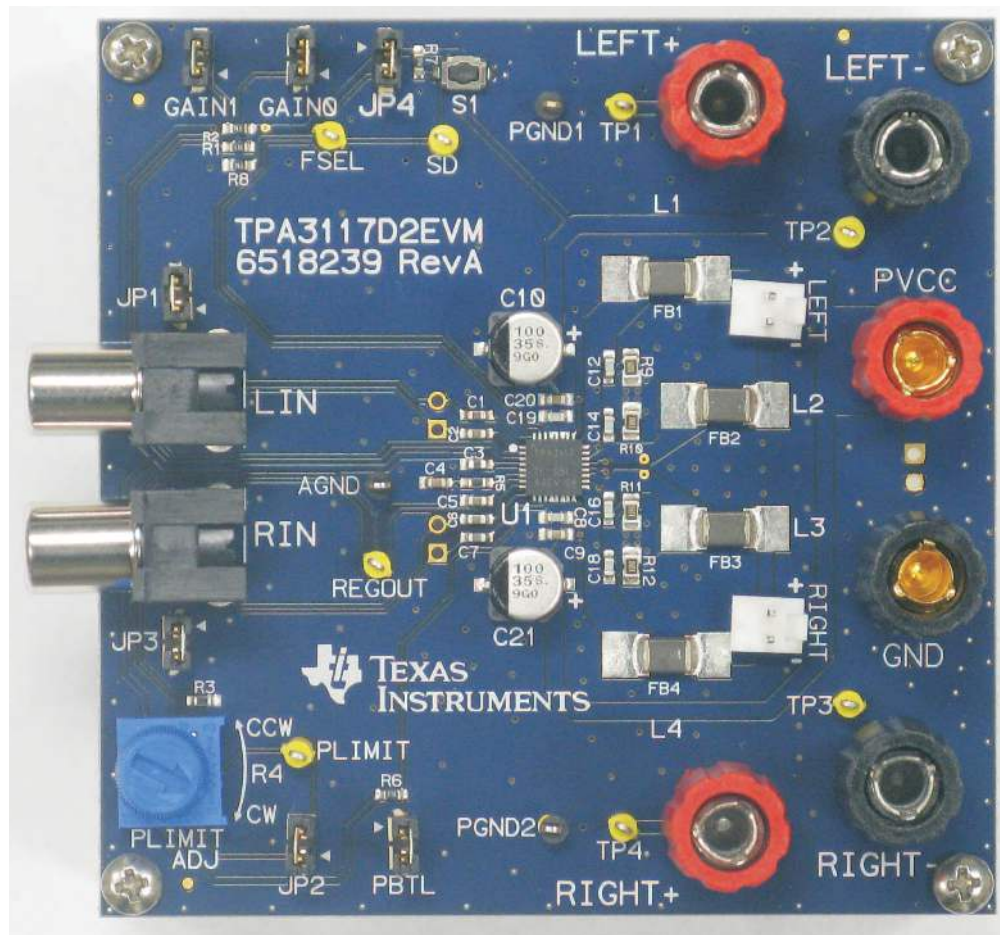
1	TPA3117D2EVM Audio Power Amplifier – Top View .....	2
2	TPA3117D2EVM Audio Power Amplifier – Bottom View .....	3
3	TPA3117D2EVM Schematic.....	5
4	TPA3117D2EVM – Top-Side Layout .....	6
5	TPA3117D2EVM – Bottom-Side Layout .....	7

### **List of Tables**

1	Key Parameters .....	3
2	Power Supply Requirements .....	4
3	TPA3117D2 Control Guide .....	4
4	Bill of Materials for TPA3117D2EVM.....	8

## 1 Introduction

The TPA3117D2EVM customer evaluation module demonstrates the integrated circuit TPA3117D2 from Texas Instruments.



**Figure 1. TPA3117D2EVM Audio Power Amplifier – Top View**

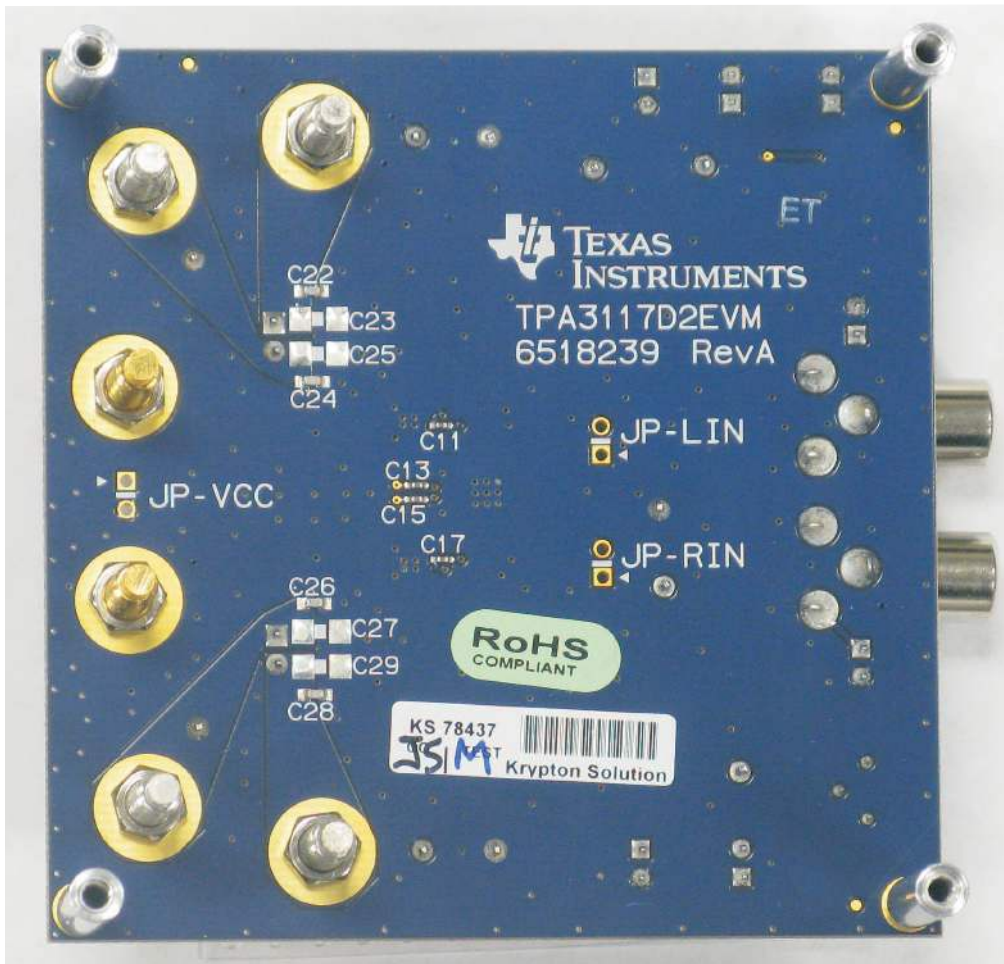


Figure 2. TPA3117D2EVM Audio Power Amplifier – Bottom View

## 1.1 TPA3117D2EVM Specifications

Table 1. Key Parameters

Key Parameters	
Power Supply Voltage	8 V to 26 V
Number of Channels	Two Bridge-Tied Load (BTL) Stereo or One Parallel BTL (PBTL) Mono
Load Impedance Stereo BTL	4 $\Omega$ to 8 $\Omega$ (If using ferrite bead filters and resistive loads, connect 33 $\mu$ H in series with a 4- $\Omega$ load or 68 $\mu$ H in series with an 8- $\Omega$ load.)
Load Impedance Mono PBTL	2 $\Omega$ to 8 $\Omega$ (If using ferrite bead filters and resistive loads, connect inductors noted above.)
	To change to LC filters instead of ferrite bead filters, remove ferrite beads FB1-4, and install 22 $\mu$ H at L1-4 and 0.68 $\mu$ F 5% X7R 50 V at C23, C25, C27, and C29
Output Power BTL	15 W per channel
Output Power PBTL	30 W

## 2 Operation

### 2.1 Quick-Start List for Stand-Alone Operation

Follow these steps to use the TPA3117D2EVM for stand-alone operation or when connecting it into existing circuits or equipment. Connections to the EVM power supply and output connectors can be made by inserting stripped wire. The input connectors are RCA phono jacks.

#### 2.1.1 Power Supply

A single power supply is required to power the evaluation module (EVM). Because most of the pins are PVCC compliant, the PVCC supply can also be used to power the analog supply (AVcc) and to pull up the logic pins for shutdown (SD) control, switching frequency (FSEL), gain (GAIN0 and GAIN1), and PBTL. REG\_OUT is an internally generated supply for the output FETs and is also used to power the PLIMIT voltage divider in the EVM. PLIMIT is REG\_OUT compliant but not PVCC compliant. PLIMIT can also be powered by an external supply connected to the PLIMIT pin. Do not power the PLIMIT pin or connect power to the REG\_OUT pin through the PLIMIT network when the PVCC supply is turned off. This can damage the integrated circuit (IC).

**Table 2. Power Supply Requirements**

Description	Voltage Range	Current Requirements	Wire Size
PVCC	8 V to 26 V	3 A	24 AWG

1. Ensure that the external regulated power supply is turned OFF.
2. Connect the external regulated power supply adjusted from 8 V to 26 V to the EVM PVCC and GND banana jacks taking care to observe marked polarity.

#### 2.1.2 EVM Preparations

##### Inputs and Outputs

1. For a BTL configuration, connect loads across the outputs (LEFT+ and LEFT–) and (RIGHT+ and RIGHT–). For PBTL configuration, connect a single load from one of the left speaker jacks to one of the right speaker jacks depending on how the filters are loaded. For PBTL operation, also connect the left outputs together and the right outputs together at the LEFT and RIGHT molex connectors.
2. Connect audio inputs, either differential or single-ended, to the LIN and RIN RCA phono plugs for BTL operation. For PBTL operation, connect a single input, differential or single-ended, to the RIN RCA phono plug.

##### Control Inputs

1. Ensure that the mode jumpers, PBTL, GAIN0, and GAIN1, are set correctly to achieve the desired operating state.

##### Power Up

1. Verify correct power supply voltage and polarity, and turn the external power supply ON. The EVM begins to operate.
2. Adjust the audio source for the correct volume.

**Table 3. TPA3117D2 Control Guide**

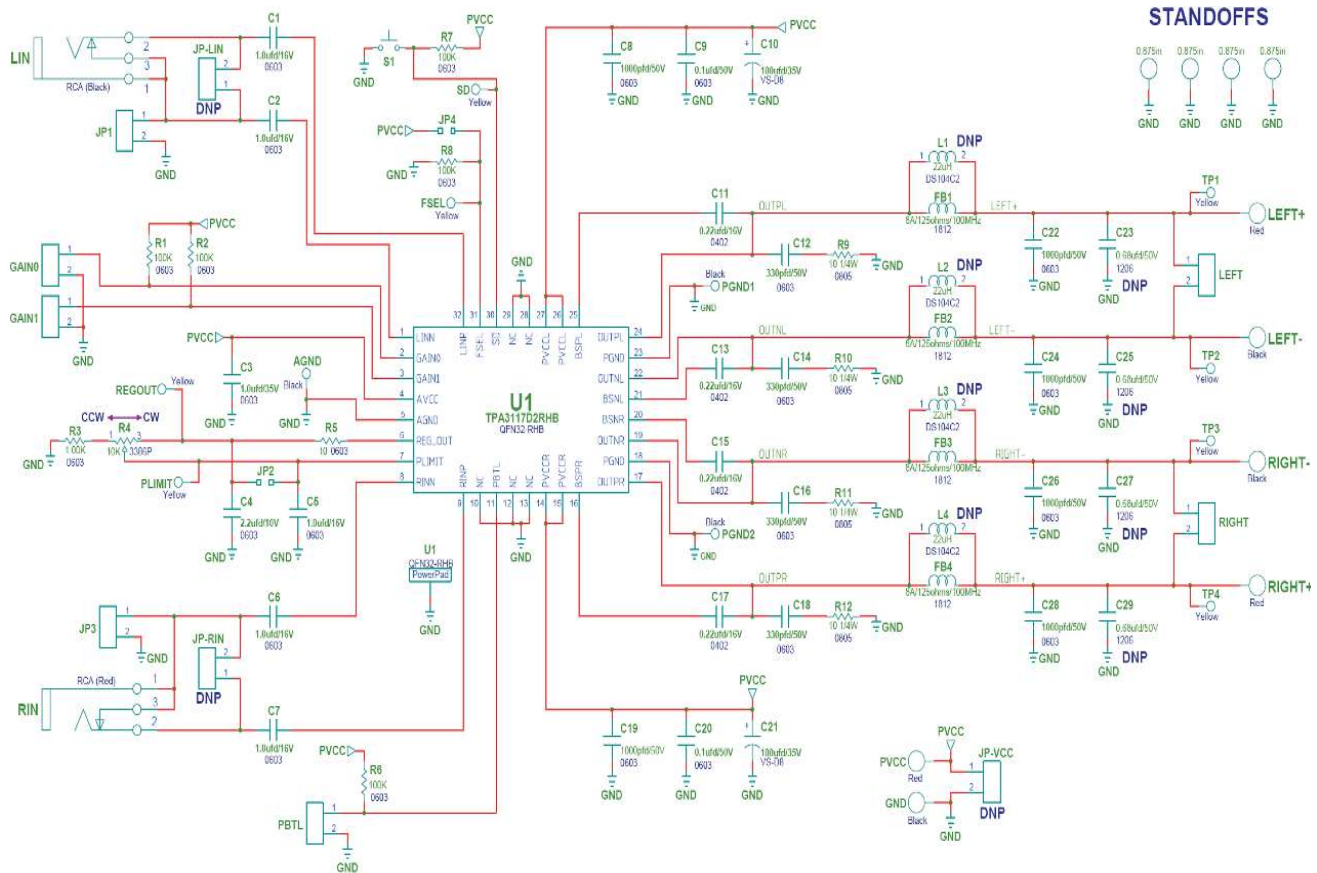
Control	Function	Options	Notes
GAIN1/GAIN0	Controls amplifier gain	Insert jumper for zero state (low); remove for one state (high)	00 = 9.0 dB (GAIN1, GAIN0) 01 = 12.1 dB 10 = 15.2 dB 11 = 18.2 dB
JP2	Defeats PLIMIT function and allows amplifier to run at full power.	Insert jumper for PLIMIT defeat	
R4	Adjusts PLIMIT (an external voltage can be applied to the PLIMIT test point)	Set full clockwise to defeat PLIMIT and allow amplifier to run at full power	The output voltage rails are limited to approximately four times the voltage at the PLIMIT pin

**Table 3. TPA3117D2 Control Guide (continued)**

Control	Function	Options	Notes
PBTL	Sets the amplifier in mono PBTL mode when removed	Insert jumper to defeat PBTL mode and run in normal stereo BTL mode	If PBTL jumper is removed (PBTL mode), the left outputs (OUTPL and OUTNL) as well as the right outputs (OUTPR and OUTNR) are synchronized and in phase. This allows them to be connected together before the reconstruction filter for PBTL operation.
JP4	Sets switching frequency to 400kHz.	Remove jumper to set switching frequency to 300kHz.	

### 3 Schematic, Layout, and Bill of Materials

#### 3.1 TPA3117D2EVM Schematic



**Figure 3. TPA3117D2EVM Schematic**

### 3.2 TPA3117D2EVM Printed-Circuit Board Layers

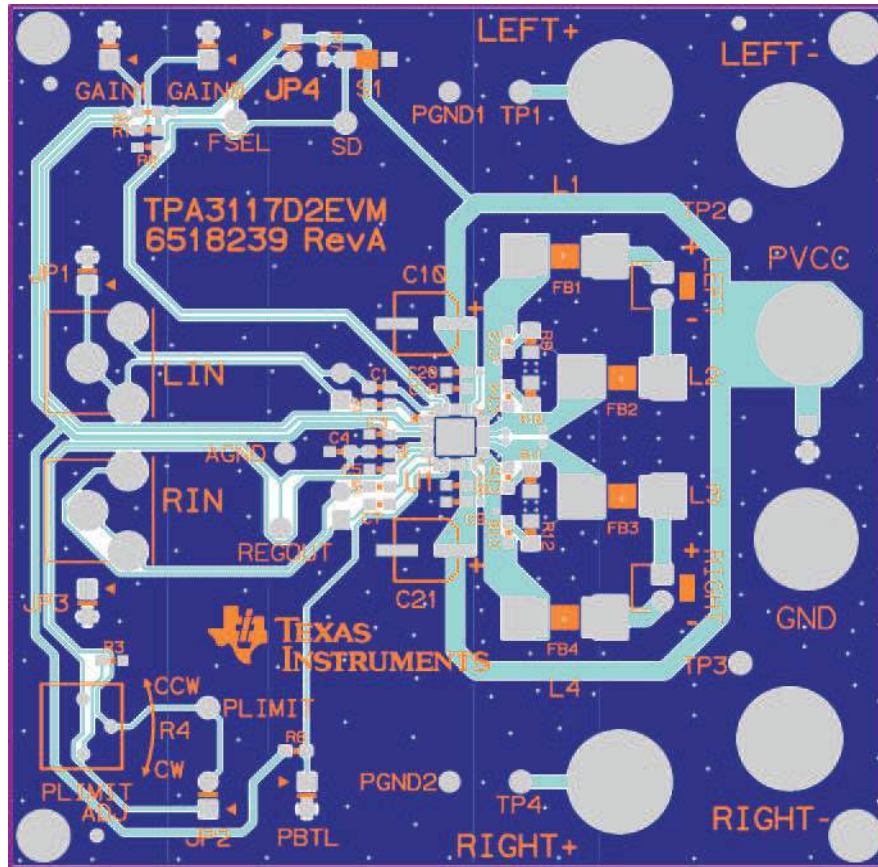


Figure 4. TPA3117D2EVM – Top-Side Layout

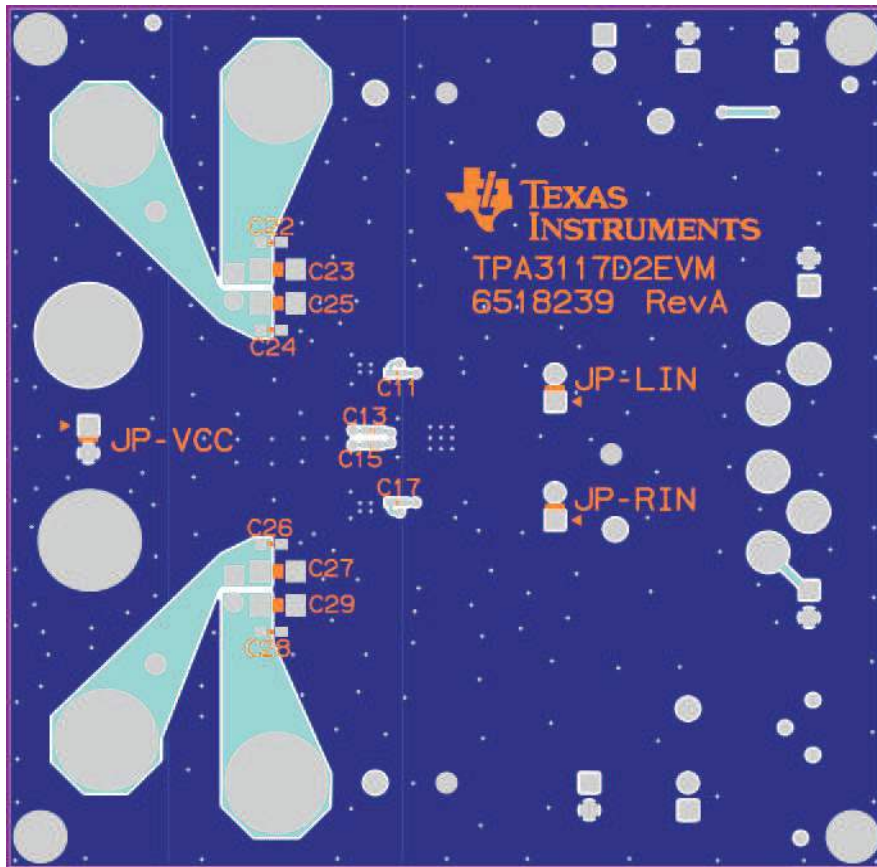


Figure 5. TPA3117D2EVM – Bottom-Side Layout

### 3.3 Bill of Materials for TPA31172EVM

**Table 4. Bill of Materials for TPA3117D2EVM**

Item	Manu Part No.	QTY	Ref Designators	Vendor Part No.	Description	Vendor	Manu
<b>TI-SEMICONDUCTORS</b>							
1	TPA3117D2RHB	1	U1	TPA3117D2RHB	15W FILTER FREE STEREO CLASS-D AUDIO PWR AMP W/SPEAKERGUARD QFN32-RHB ROHS	TEXAS INSTRUMENTS	TEXAS INSTRUMENTS
<b>CAPACITORS</b>							
2	ECJ-1VC1H331J	4	C12, C14, C16, C18	PCC331ACVCT	CAP SMD0603 CERM 330PFD 50V 5% COG ROHS	DIGI-KEY	PANASONIC
3	C1608C0G1H102J	6	C8, C19, C22, C24, C26, C28	445-1293-1	CAP SMD0603 CERM 1000PFD 50V 5% COG ROHS	DIGI-KEY	TDK CORP.
4	C1608X7R1H104K	2	C9, C20	445-1314-1	CAP SMD0603 CERM 0.1UFD 50V 10% X7R ROHS	DIGI-KEY	TDK
5	EMK105BJ224KV-F	4	C11, C13, C15, C17	587-1452-1	CAP SMD0402 CERM 0.22UFD 16V 10% X5R ROHS	DIGI-KEY	TAIYO YUDEN
6	C1206C684K5RACTU	4	C23, C25, C27, C29	399-3500-1	CAP SMD1206 CERM 0.68UFD 50V 10% X7R ROHS	DIGI-KEY	KEMET
7	C0603C105K4PACTU	5	C1, C2, C5, C6, C7	399-5090-1	CAP SMD0603 CERM 1.0ufd 16V 10% X5R ROHS	DIGI-KEY	KEMET
8	GMK107BJ105KA-T	1	C3	587-1437-1	CAP SMD0603 CERM 1.0ufd 35V 10% X5R ROHS	DIGI-KEY	TAIYO YUDEN
9	GRM188R71A225KE15D	1	C4	490-4520-1	CAP SMD0603 CERM 2.2UFD 10V 10% X7R ROHS	DIGI-KEY	MURATA
10	EEE-1VA101XP	2	C10, C21	PCE3951CT	CAP SMD ELECT 100ufd 35V 20% VS-D8 ROHS	DIGI-KEY	PANASONIC
<b>RESISTORS</b>							
11	RC0603JR-0710RL	1	R5	311-10GRCT	RESISTOR SMD0603 THICK FILM 10 OHM 5% 1/10W ROHS	DIGI-KEY	YAGEO
12	ESR10EZPJ100	4	R9, R10, R11, R12	RHM10KCT	RESISTOR SMD0805 10 OHM 1% 1/4W ROHS	DIGI-KEY	ROHM
13	RC0603FR-071KL	1	R3	311-1.00KHRCT	RESISTOR SMD0603 THICK FILM 1.00K OHM 1% 1/10W ROHS	DIGI-KEY	YAGEO
14	3386P-1-103TLF	1	R4	3386P-103TLF	TRIMPOT THRU 10K OHMS TOP ADJ W/KNOB 1 TURN 10% ROHS	DIGI-KEY	BOURNS
15	ERJ-3EKF1003V	5	R1, R2, R6, R7, R8	P100KHCT	RESISTOR SMD0603 100K OHM 1% THICK FILM 1/10W ROHS	DIGI-KEY	PANASONIC
<b>INDUCTORS AND FERRITES</b>							
16	B952AS-220M	4	L1, L2, L3, L4	B952AS-220M	INDUCTOR SMT 22uH 2.4A 87 OHMS 20% DS104C2 ROHS	TOKO JAPAN	TOKO JAPAN



**Table 4. Bill of Materials for TPA3117D2EVM (continued)**

Item	Manu Part No.	QTY	Ref Designators	Vendor Part No.	Description	Vendor	Manu
17	HI1812V101R-10	4	FB1, FB2, FB3, FB4	240-2543-1	FERRITE BEAD SMD1812 80 OHM@100MHz 6A ROHS	DIGI-KEY	STEWART
<b>HEADERS AND JACKS</b>							
18	PBC02SAAN	7	JP1, JP2, JP3, JP4, PBTL, GAIN0, GAIN1	S1011E-02	HEADER THRU MALE 2 PIN 100LS GOLD ROHS	DIGI-KEY	SULLINS
19	22-23-2021	2	LEFT, RIGHT	WM4200	HEADER MALE 2PIN 100LS W/ FRICTION LOCK ROHS	DIGI-KEY	MOLEX
20	PJRRAN1X1U01X	1	LIN	65K7770	JACK, RCA 3-PIN PCB-RA BLACK ROHS	NEWARK	SWITCHCRAFT
21	PJRRAN1X1U03X	1	RIN	89K7617	JACK, RCA 3-PIN PCB-RA RED ROHS	NEWARK	SWITCHCRAFT
<b>TESTPOINTS AND SWITCHES</b>							
22	5004	8	SD, TP1, TP2, TP3, TP4, FSEL, PLIMIT, REGOUT	5004K	PC TESTPOINT, YELLOW, ROHS	DIGI-KEY	KEYSTONE ELECTRONICS
23	5001	3	AGND, PGND1, PGND2	5001K	PC TESTPOINT, BLACK, ROHS	DIGI-KEY	KEYSTONE ELECTRONICS
24	TL1015AF160QG	1	S1	EG4344CT	SWITCH, MOM, 160G SMT 4X3MM ROHS	DIGI-KEY	E-SWITCH
<b>BINDING POSTS</b>							
25	3750-0	1	GND	565-3750-0	BINDING POST, BLACK 60V/15A GOLD ROHS	MOUSER	POMONA
26	3750-2	1	PVCC	565-3750-2	BINDING POST, RED 60V/15A GOLD ROHS	MOUSER	POMONA
27	3760-0	2	LEFT-, RIGHT-	565-3760-0	BINDING POST, BLACK 60V/15A TIN ROHS	MOUSER	POMONA
28	3760-2	2	LEFT+, RIGHT+	565-3760-2	BINDING POST, RED 60V/15A TIN ROHS	MOUSER	POMONA
<b>SHUNTS</b>							
29	SPC02SYAN	7	JP1, JP2, JP3, JP4, GAIN0, GAIN1, PBTL	S9001	SHUNT, BLACK AU FLASH 0.100LS	DIGI-KEY	SULLINS
<b>STANDOFFS AND HARDWARE</b>							
30	PMS 440 0025 PH	4	NA	H342	4-40 SCREW, STEEL 0.250 IN	DIGI-KEY	BUILDING FASTENERS
31	2030	4	NA	2030K	STANDOFF ,4-40 0.875IN 3/16IN DIA ALUM RND F-F	DIGI-KEY	KEYSTONE
	Component Count:	94					
<b>COMPONENTS NOT ASSEMBLED</b>							
C23, C25, C27, C29, L1, L2, L3, L4, JP-LIN, JP-RIN, JP-VCC							

## Evaluation Board/Kit Important Notice

Texas Instruments (TI) provides the enclosed product(s) under the following conditions:

This evaluation board/kit is intended for use for **ENGINEERING DEVELOPMENT, DEMONSTRATION, OR EVALUATION PURPOSES ONLY** and is not considered by TI to be a finished end-product fit for general consumer use. Persons handling the product(s) must have electronics training and observe good engineering practice standards. As such, the goods being provided are not intended to be complete in terms of required design-, marketing-, and/or manufacturing-related protective considerations, including product safety and environmental measures typically found in end products that incorporate such semiconductor components or circuit boards. This evaluation board/kit does not fall within the scope of the European Union directives regarding electromagnetic compatibility, restricted substances (RoHS), recycling (WEEE), FCC, CE or UL, and therefore may not meet the technical requirements of these directives or other related directives.

Should this evaluation board/kit not meet the specifications indicated in the User's Guide, the board/kit may be returned within 30 days from the date of delivery for a full refund. **THE FOREGOING WARRANTY IS THE EXCLUSIVE WARRANTY MADE BY SELLER TO BUYER AND IS IN LIEU OF ALL OTHER WARRANTIES, EXPRESSED, IMPLIED, OR STATUTORY, INCLUDING ANY WARRANTY OF MERCHANTABILITY OR FITNESS FOR ANY PARTICULAR PURPOSE.**

The user assumes all responsibility and liability for proper and safe handling of the goods. Further, the user indemnifies TI from all claims arising from the handling or use of the goods. Due to the open construction of the product, it is the user's responsibility to take any and all appropriate precautions with regard to electrostatic discharge.

**EXCEPT TO THE EXTENT OF THE INDEMNITY SET FORTH ABOVE, NEITHER PARTY SHALL BE LIABLE TO THE OTHER FOR ANY INDIRECT, SPECIAL, INCIDENTAL, OR CONSEQUENTIAL DAMAGES.**

TI currently deals with a variety of customers for products, and therefore our arrangement with the user **is not exclusive.**

TI assumes **no liability for applications assistance, customer product design, software performance, or infringement of patents or services described herein.**

Please read the User's Guide and, specifically, the Warnings and Restrictions notice in the User's Guide prior to handling the product. This notice contains important safety information about temperatures and voltages. For additional information on TI's environmental and/or safety programs, please contact the TI application engineer or visit [www.ti.com/esh](http://www.ti.com/esh).

No license is granted under any patent right or other intellectual property right of TI covering or relating to any machine, process, or combination in which such TI products or services might be or are used.

## FCC Warning

This evaluation board/kit is intended for use for **ENGINEERING DEVELOPMENT, DEMONSTRATION, OR EVALUATION PURPOSES ONLY** and is not considered by TI to be a finished end-product fit for general consumer use. It generates, uses, and can radiate radio frequency energy and has not been tested for compliance with the limits of computing devices pursuant to part 15 of FCC rules, which are designed to provide reasonable protection against radio frequency interference. Operation of this equipment in other environments may cause interference with radio communications, in which case the user at his own expense will be required to take whatever measures may be required to correct this interference.

## EVM Warnings and Restrictions

It is important to operate this EVM within the input voltage range of -0.3 V to 6.3 V and the output voltage range of -0.3 V to VCC + 0.3 V with respect to EVM ground.

Exceeding the specified input range may cause unexpected operation and/or irreversible damage to the EVM. If there are questions concerning the input range, please contact a TI field representative prior to connecting the input power.

Applying loads outside of the specified output range may result in unintended operation and/or possible permanent damage to the EVM. Please consult the EVM User's Guide prior to connecting any load to the EVM output. If there is uncertainty as to the load specification, please contact a TI field representative.

During normal operation, some circuit components may have case temperatures greater than 125° C. The EVM is designed to operate properly with certain components above 125° C as long as the input and output ranges are maintained. These components include but are not limited to linear regulators, switching transistors, pass transistors, and current sense resistors. These types of devices can be identified using the EVM schematic located in the EVM User's Guide. When placing measurement probes near these devices during operation, please be aware that these devices may be very warm to the touch.

Mailing Address: Texas Instruments, Post Office Box 655303, Dallas, Texas 75265  
Copyright © 2010, Texas Instruments Incorporated

## IMPORTANT NOTICE

Texas Instruments Incorporated and its subsidiaries (TI) reserve the right to make corrections, modifications, enhancements, improvements, and other changes to its products and services at any time and to discontinue any product or service without notice. Customers should obtain the latest relevant information before placing orders and should verify that such information is current and complete. All products are sold subject to TI's terms and conditions of sale supplied at the time of order acknowledgment.

TI warrants performance of its hardware products to the specifications applicable at the time of sale in accordance with TI's standard warranty. Testing and other quality control techniques are used to the extent TI deems necessary to support this warranty. Except where mandated by government requirements, testing of all parameters of each product is not necessarily performed.

TI assumes no liability for applications assistance or customer product design. Customers are responsible for their products and applications using TI components. To minimize the risks associated with customer products and applications, customers should provide adequate design and operating safeguards.

TI does not warrant or represent that any license, either express or implied, is granted under any TI patent right, copyright, mask work right, or other TI intellectual property right relating to any combination, machine, or process in which TI products or services are used. Information published by TI regarding third-party products or services does not constitute a license from TI to use such products or services or a warranty or endorsement thereof. Use of such information may require a license from a third party under the patents or other intellectual property of the third party, or a license from TI under the patents or other intellectual property of TI.

Reproduction of TI information in TI data books or data sheets is permissible only if reproduction is without alteration and is accompanied by all associated warranties, conditions, limitations, and notices. Reproduction of this information with alteration is an unfair and deceptive business practice. TI is not responsible or liable for such altered documentation. Information of third parties may be subject to additional restrictions.

Resale of TI products or services with statements different from or beyond the parameters stated by TI for that product or service voids all express and any implied warranties for the associated TI product or service and is an unfair and deceptive business practice. TI is not responsible or liable for any such statements.

TI products are not authorized for use in safety-critical applications (such as life support) where a failure of the TI product would reasonably be expected to cause severe personal injury or death, unless officers of the parties have executed an agreement specifically governing such use. Buyers represent that they have all necessary expertise in the safety and regulatory ramifications of their applications, and acknowledge and agree that they are solely responsible for all legal, regulatory and safety-related requirements concerning their products and any use of TI products in such safety-critical applications, notwithstanding any applications-related information or support that may be provided by TI. Further, Buyers must fully indemnify TI and its representatives against any damages arising out of the use of TI products in such safety-critical applications.

TI products are neither designed nor intended for use in military/aerospace applications or environments unless the TI products are specifically designated by TI as military-grade or "enhanced plastic." Only products designated by TI as military-grade meet military specifications. Buyers acknowledge and agree that any such use of TI products which TI has not designated as military-grade is solely at the Buyer's risk, and that they are solely responsible for compliance with all legal and regulatory requirements in connection with such use.

TI products are neither designed nor intended for use in automotive applications or environments unless the specific TI products are designated by TI as compliant with ISO/TS 16949 requirements. Buyers acknowledge and agree that, if they use any non-designated products in automotive applications, TI will not be responsible for any failure to meet such requirements.

Following are URLs where you can obtain information on other Texas Instruments products and application solutions:

<b>Products</b>		<b>Applications</b>	
Amplifiers	<a href="http://amplifier.ti.com">amplifier.ti.com</a>	Audio	<a href="http://www.ti.com/audio">www.ti.com/audio</a>
Data Converters	<a href="http://dataconverter.ti.com">dataconverter.ti.com</a>	Automotive	<a href="http://www.ti.com/automotive">www.ti.com/automotive</a>
DLP® Products	<a href="http://www.dlp.com">www.dlp.com</a>	Communications and Telecom	<a href="http://www.ti.com/communications">www.ti.com/communications</a>
DSP	<a href="http://dsp.ti.com">dsp.ti.com</a>	Computers and Peripherals	<a href="http://www.ti.com/computers">www.ti.com/computers</a>
Clocks and Timers	<a href="http://www.ti.com/clocks">www.ti.com/clocks</a>	Consumer Electronics	<a href="http://www.ti.com/consumer-apps">www.ti.com/consumer-apps</a>
Interface	<a href="http://interface.ti.com">interface.ti.com</a>	Energy	<a href="http://www.ti.com/energy">www.ti.com/energy</a>
Logic	<a href="http://logic.ti.com">logic.ti.com</a>	Industrial	<a href="http://www.ti.com/industrial">www.ti.com/industrial</a>
Power Mgmt	<a href="http://power.ti.com">power.ti.com</a>	Medical	<a href="http://www.ti.com/medical">www.ti.com/medical</a>
Microcontrollers	<a href="http://microcontroller.ti.com">microcontroller.ti.com</a>	Security	<a href="http://www.ti.com/security">www.ti.com/security</a>
RFID	<a href="http://www.ti-rfid.com">www.ti-rfid.com</a>	Space, Avionics & Defense	<a href="http://www.ti.com/space-avionics-defense">www.ti.com/space-avionics-defense</a>
RF/IF and ZigBee® Solutions	<a href="http://www.ti.com/lprf">www.ti.com/lprf</a>	Video and Imaging	<a href="http://www.ti.com/video">www.ti.com/video</a>
		Wireless	<a href="http://www.ti.com/wireless-apps">www.ti.com/wireless-apps</a>