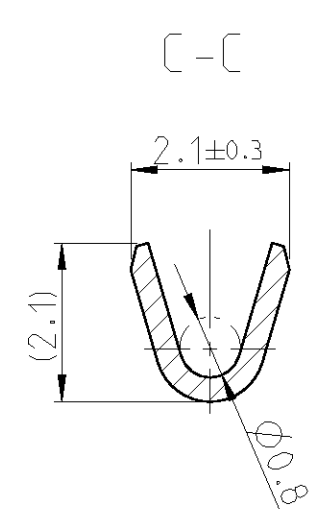
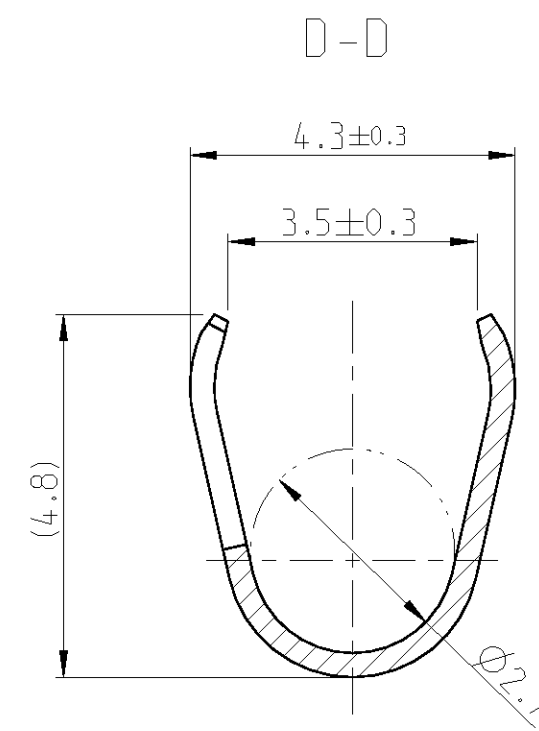
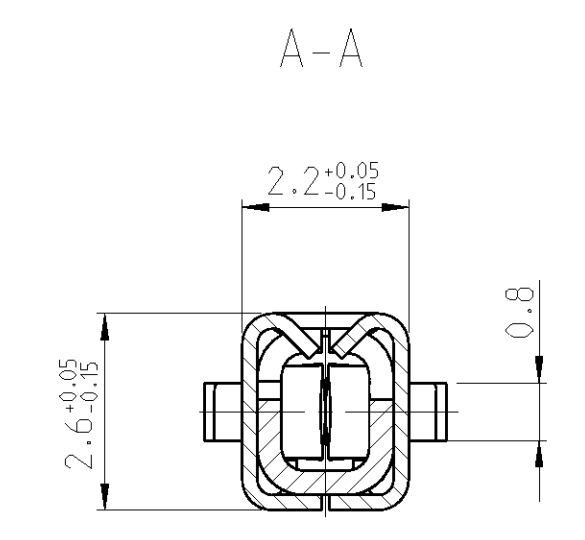
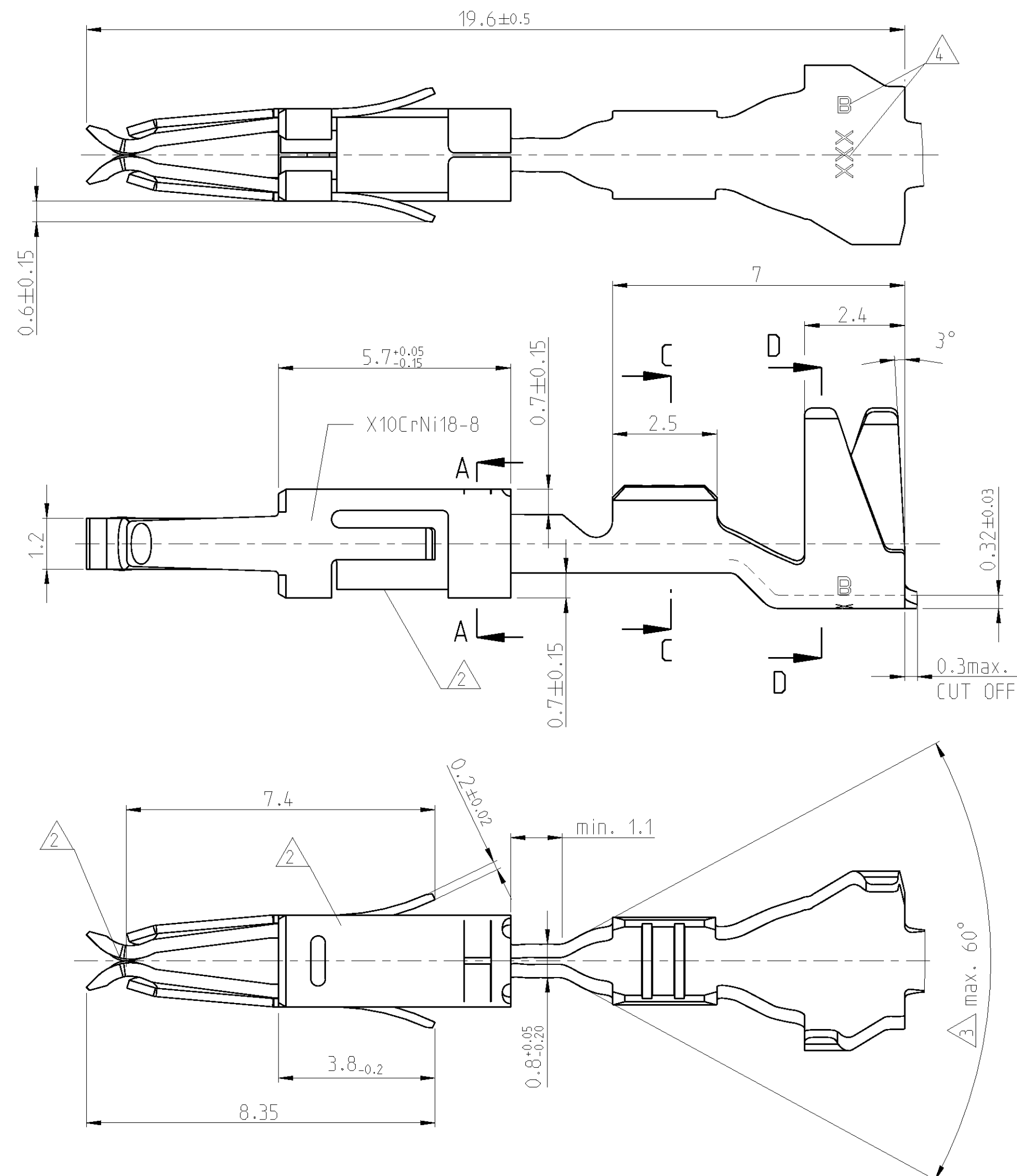


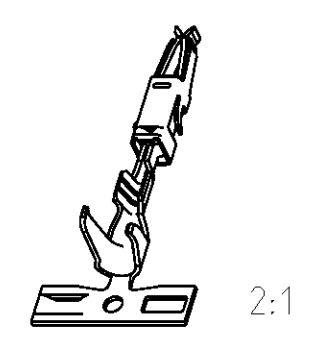
THIS DRAWING IS UNPUBLISHED. RELEASED FOR PUBLICATION 2009
 © COPYRIGHT 2009 Tyco Electronics AMP GmbH ALL RIGHTS RESERVED.

LOC		DJUST		REVISIONS			
P	LTR	DESCRIPTION	DATE	DWN	APVD		
A1	-						
B1		Zeichnung ueberarbeitet, vorlauefig entfernt	21MAR1997	Bers			
B2		Verarbeitungshinweis ergaenzt	09JUN1997	Scha			
B3		Dimple angepasst	05MAY2006	Abr			
B4		NEW PROE DRAWING, Part 968045-6 obsolete	07JUN2011	Kirs	Mair		



NOTES:
Bemerkungen:

- 1 CONTACT BODY ALLAROUND TINNED MIN. 0.8µm
Kontaktkoerper allseitig verzinnt min. 0.8µm
SPRING PLAIN
Ueberfeder blank
- 2 CONTACT BODY GALV. NICKEL MIN. 0.2µm
Kontaktkoerper galv. vernickelt min. 0.2µm
PREFORMED CONTACT AREA OUTSIDE GALV. GOLD MIN. 0.8µm
OVER GALV. NICKEL MIN. 1.3µm
vorgeformte Kontaktzone aussen galv. vergoldet min. 0.8µm ueber galv. vernickelt min. 1.3µm
PREFORMED CONTACT AREA INSIDE GALV. TINNED MIN. 1µm
OVER GALV. NICKEL MIN 1.3µm
vorgeformte Kontaktzone innen galv. verzinnt min. 1µm ueber galv. vernickelt min. 1.3µm
CONTACT BODY OUTSIDE GALV. GOLD MIN. 0.8µm
OVER GALV. NICKEL MIN 1.3µm
Kontaktkoerper aussen galv. vergoldet min. 0.8µm ueber galv. vernickelt min. 1.3µm
WIRE CRIMP ZONE GALV. TINNED MIN. 1µm
Drahtcrimpzone galv. verzinnt min. 1µm
SPRING GALV. GOLD MIN. 0.5µm
Ueberfeder galv. vergoldet min. 0.5µm
- 3 TRANSITION LIES WITHIN THIS ANGLE
MEASURED STARTING FROM NOMINAL DIMENSION
Uebergang liegt innerhalb dieses Winkels
gemessen ab Nennmass
- 4 LETTER FOR REVISION STATE AND COMPANY LOGO
Buchstabe fuer Aenderungsstand und Firmenlogo
- 5 MATED WITH TAB 1.6x0.6
steckbar mit Flachstecker 1.6x0.6
- 6 WIRE RANGE 0.2 - 0.5 mm² FLR
INSULATION Ø 1.2 - 1.6 mm
Drahtgroessenbereich 0.2 - 0.5 mm² FLR
Isolations Ø 1.2 - 1.6 mm
- 7 SINGLE WIRE SEAL PN 964971-1
Einzelleiterdichtung PN 964971-1



THIS DRAWING IS A CONTROLLED DOCUMENT.		DWN	E.Palmie	11NOV1994
DIMENSIONS: mm		CHK	C.Ott	11NOV1994
TOLERANCES UNLESS OTHERWISE SPECIFIED:		APVD	M.Bleicher	17APR2009
Ø-PLC	±	PRODUCT SPEC		
1-PLC	±	APPLICATION SPEC		
2-PLC	±	114-18081		
3-PLC	±	WEIGHT	2.8 g	
4-PLC	±	CUSTOMER DRAWING		
ANGLES	±°			
FINISH				

968046-2	CuFe2	1	968045-2	B
968046-1	CuSn4	1	968045-1	B
LP NO	MATERIAL	PART NO	REV	

STE		TE Connectivity	
NAME: MICRO TIMER II CONTACT A			
SIZE	CAGE CODE	DRAWING NO	RESTRICTED TO
A2	00779	C-968045	-
SCALE 10:1		SHEET 1 OF 1	REV B4