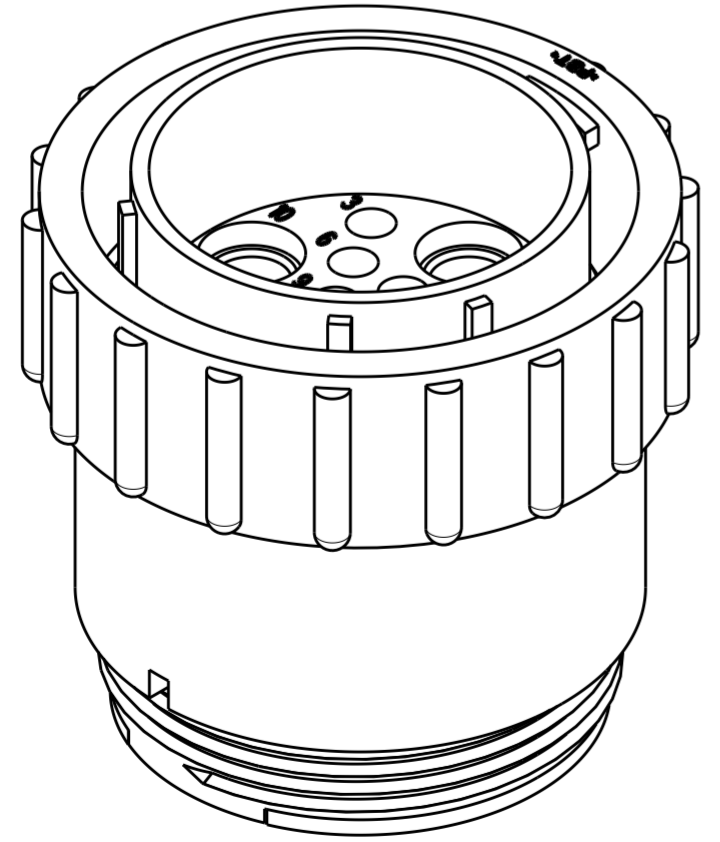
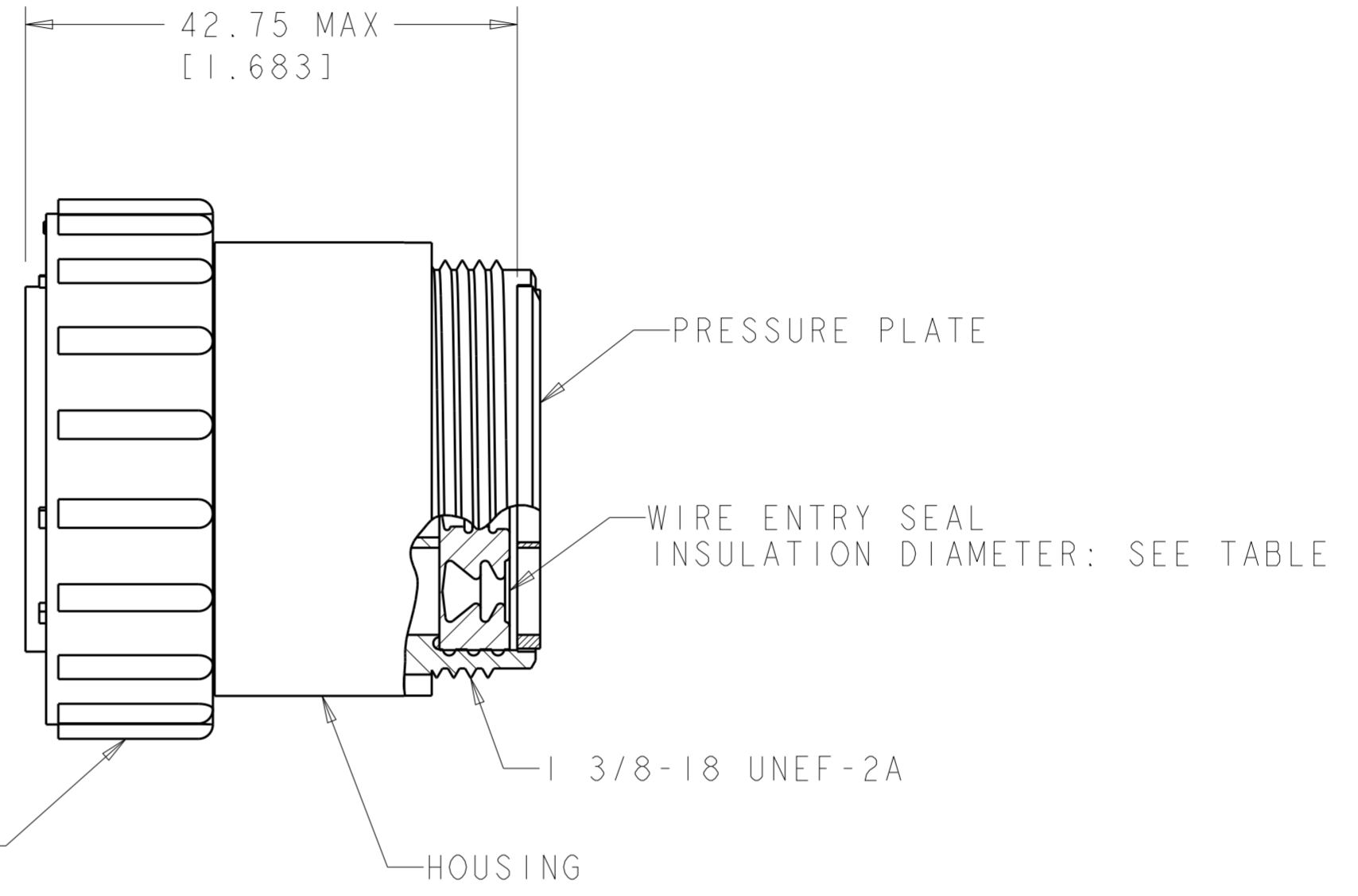
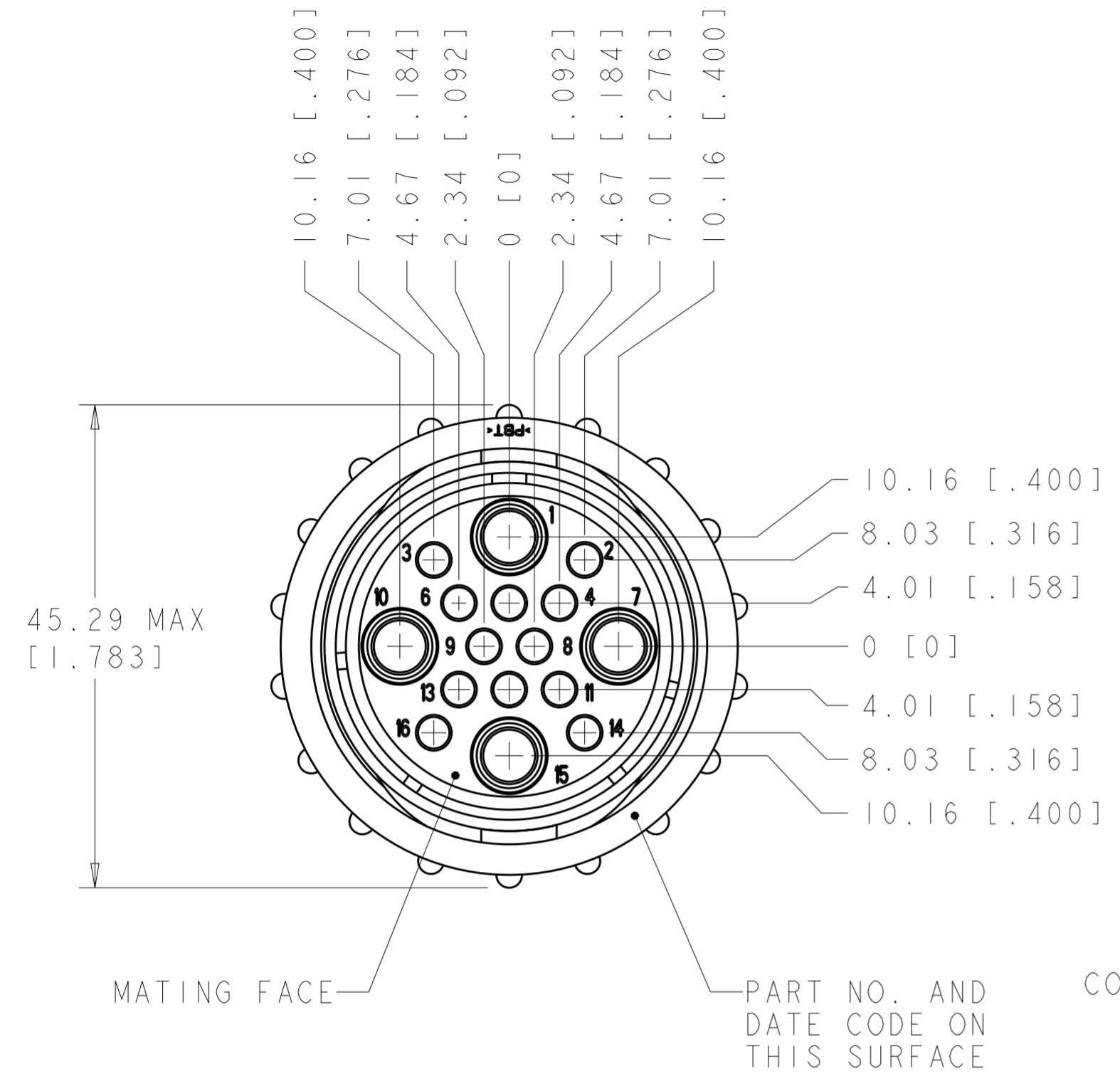


THIS DRAWING IS UNPUBLISHED. RELEASED FOR PUBLICATION
 © COPYRIGHT 20 BY - ALL RIGHTS RESERVED.

REVISIONS				
P	LTR	DESCRIPTION	DATE	APVD
	B1	REVISED PER ECO-16-004800	12SEP2016	NK MZ



⚠ HOUSING & PRESSURE PLATE: NYLON, BLACK.
 WIRE ENTRY SEAL: ELASTOMER, RED-IRON OXIDE.
 COUPLING RING: POLYESTER, BLACK.
 2. WILL ACCEPT (12) MULTIMATE PINS AND (4) POWER MALE CONTACTS.

OBSOLETE	.150-.265	796332-2
	.095-.205	796332-1
	INSULATION DIA	PART NUMBER

THIS DRAWING IS A CONTROLLED DOCUMENT.		DWN S. WELDON 13DEC1999	STE TE Connectivity	
DIMENSIONS: mm [INCHES]		CHK J. ENGLE 13DEC1999		
TOLERANCES UNLESS OTHERWISE SPECIFIED:		APVD J. ENGLE 13DEC1999	NAME PLUG ASSEMBLY, SERIES 6, REVERSE SEX, SIZE 23-16, CIRCULAR PLASTIC CONNECTOR	
0 PLC ±		PRODUCT SPEC 108-1579	SIZE CAGE CODE DRAWING NO RESTRICTED TO	
1 PLC ±		APPLICATION SPEC	A200779 C-796332	
2 PLC ±0.02		WEIGHT	SCALE 2:1 SHEET OF REV B1	
3 PLC ±		CUSTOMER DRAWING		
4 PLC ±				
ANGLES ±				
FINISH -				