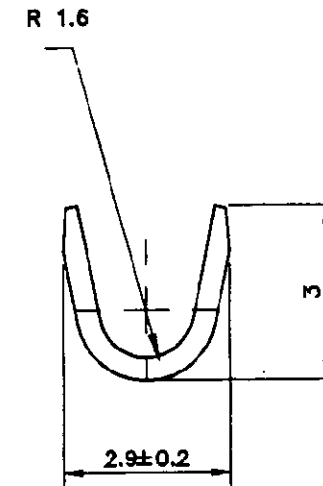
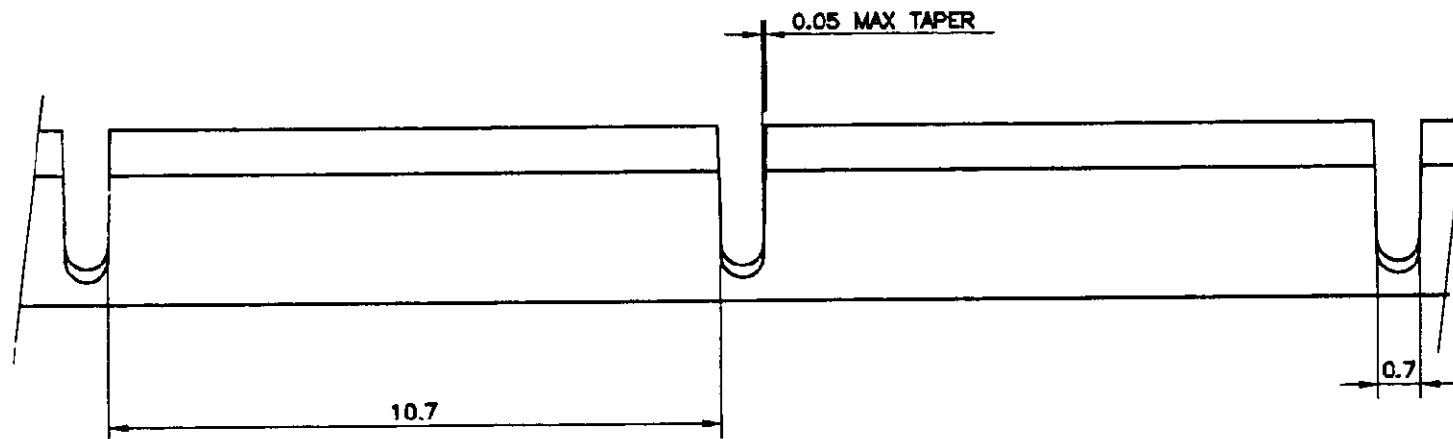
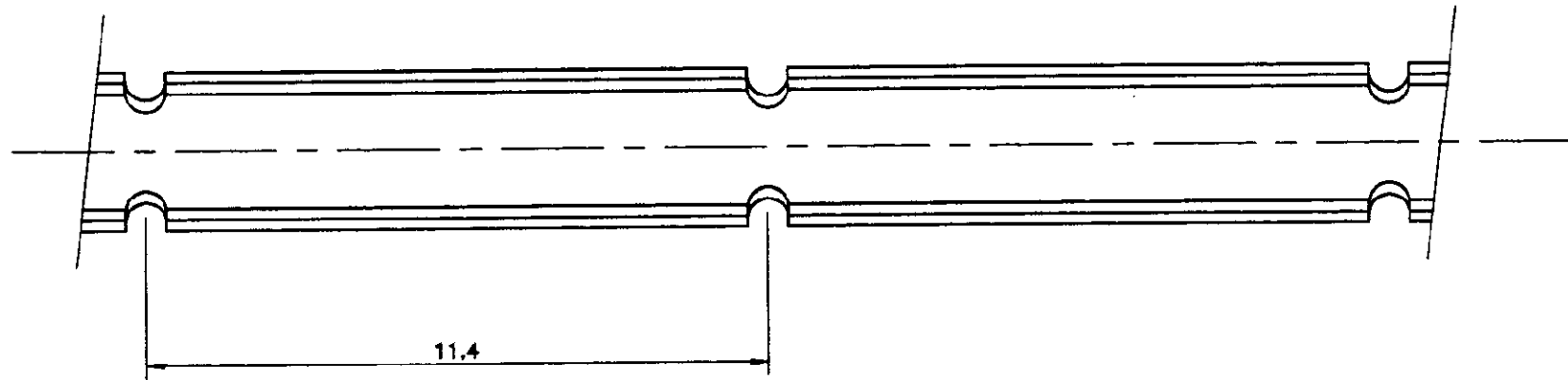


DRAWING MADE IN THIRD ANGLE PROJECTION

NOTE:-

- 1) NO TOOL MARKS TO BE VISIBLE
- 2) BURRS NOT TO EXCEED 0.08
- 3) SURFACE TO BE CLEAN AND FREE FROM STAINS

4) OBSOLETE PART: 190598-2



CONTROLLED

ORIGINAL

THIS INFORMATION IS CONFIDENTIAL AND DISCLOSED TO YOU ON CONDITION THAT NO FURTHER DISCLOSURE IS MADE BY YOU TO OTHER THAN AMP PERSONNEL WITHOUT WRITTEN AUTHORIZATION FROM AUSTRALIAN AMP

4

obsolete

WIRE RANGE: 0.5-1.5 sq mm

INSULATION RANGE: Ø

REMARKS

FINISH

NICKEL SILVER

PART No

SIZE 0.4±0.013X6.6±0.05

DATE 24/05/94

CHK VK *W. V. K.*

DR RB

APP BL *B. C. W.*

AMP Australian AMP Pty. Limited
Hudson Avenue, CASTLE HILL NSW

C1

ECR-15-016627

TD

27/11/15

C

ECN FA 00 0005 96

BL

20/2/98

B

ECN FA 00 0003 95

BL

17/5/94

A

ECN 94028

BL

24/5/94

NAME

SPLICE, BOOTLACE

LOC CODE

U

SCALE AS

SIZE A3

DWG No.

C-190596

SHEET

1 OF 1

REV

C1

P

F

LTR

REVISION RECORD

APP

DATE

8:1 or SHOWN

2

CUSTOMER DRAWING

8

7

6

5

4

3

2

A

F

E

D

C

B