



R725

**R725**

STEPPER DRIVER

### FEATURES AND BENEFITS

- Operates from 18 to 80V
- Selectable Driver Peak Current Ranges: 0.1 to 7 Amps
- Cooler running temperature
- Next-generation resonance compensation.
- Extra resolution choices.
- Push Button Self-Test.
- Resolution upscaling at low speeds.
- User adjustable standby current.

### KEY NEW FEATURES OF THE R725

#### 1. Cooler running temperature

Upgraded and over-rated power section components reduce heating by up to 30% compared to previous revisions.

#### 2. Next-generation resonance compensation.

Midband instability and resonance is compensated for using all new algorithms, eliminating resonant frequencies at the midband completely, with no adjustment necessary. The R725 will run a motor smoothly out of the box.

#### 3. Extra resolution choices.

Ranging from half-step to 256-microstep resolution, a stepper motor can be run with resolution of up to 51,200 pulses per revolution.

2	5
4	10
8	18
16	50
32	100
64	180
128	
256	

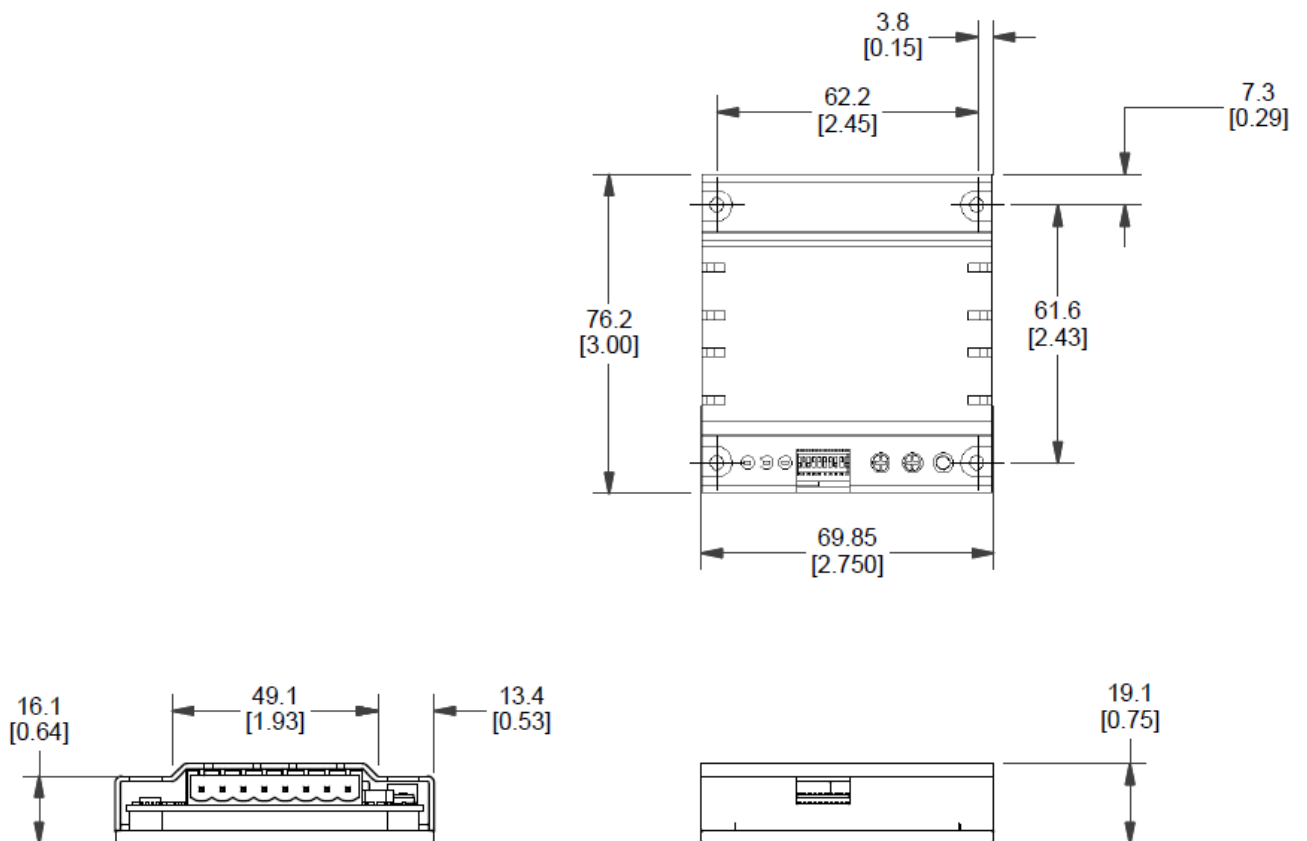
#### 4. Push Button Self-Test.

Testing and tuning stepper motors can now be done simply with an onboard self-test button. Simply pushing and holding this button down will run the motor CW and CCW at low speed, allowing easy tuning for motor resonance with the onboard adjustment trimpot.

#### 5. Resolution upscaling at low speeds.

Every microstep is further broken down into higher interpolated microsteps to increase motor smoothness at extremely low speeds. The resolution upscaling will change depending on the microstep resolution chosen via DIP switch to be sure your motor is getting the smoothest possible operation at all times.

## DIMENSION



## PIN OUTS

### Connector 1

PIN#	FUNCTION	DETAILS
------	----------	---------

1	GND	Signal Ground
2	STP	The edge of step pulse on this input advances the motor one increment. The size of the increment is dependent upon the settings of the resolution.
3	DIR	This input is used to change the direction of the motor.
4	+5V	This +5VDC input is used to supply power to the isolated logic inputs.
5	ENABLE	This input is used to enable/ disable the output section of the driver. When in a Logic HIGH state (open), the outputs are enabled.
6	RESET	When LOW, this input will reset the driver (phase outputs will disable).
7	FAULT OUTPUT	This output indicates that a short circuit condition has occurred. This output is active LOW.
8	FULLSTEP OUTPUT	This output indicates when the driver is positioned at full step. This output can be used to count the number of full steps the motor has moved, regardless of the number of microsteps in between.

## Connector 2

PIN#	FUNCTION	DETAILS
1	REDUCE CURRENT	Phase Current Reduction Adjustment
2	CURRENT	Phase Current Adjustment
3	GND	Power Ground. The ground, or return, of the power supply is connected here
4	V+	Motor Supply Voltage. +18V to +80VDC
5	~PHB	~PHASE B of the stepping motor
6	PHB	PHASE B of the stepping motor
7	~PHA	~PHASE A of the stepping motor
8	PHA	PHASE A of the stepping motor

## ELECTRICAL SPECIFICATIONS

- **INPUT VOLTAGE: +18 to 80**
- **DRIVE CURRENT(PEAK): 0.1 to 7 Amps**
- **ISOLATED INPUTS: Reset, Enable, Step, Direction**
- **STEP FREQUENCY (MAX): 2.5 MHz**

# Motion Control, **Solved.**

## Motor Engineering and Manufacturing



*Optimized For  
Your  
Applications*



*Quick Prototype  
Turnaround*



*Small Batch to  
OEM Volume  
Production*



*US Based  
Support &  
Manufacturing*