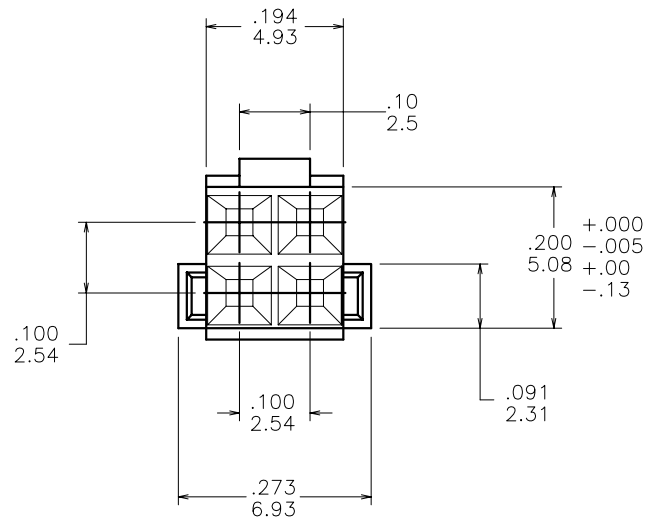
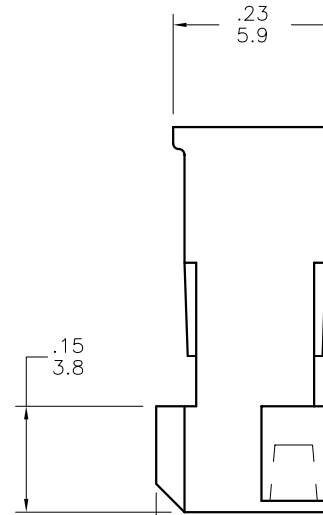
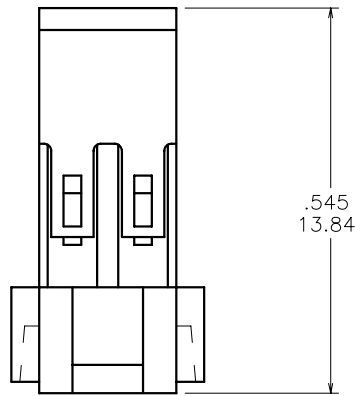


PRODUCT NUMBER	COLOR	
78583-001	BLACK	OBSOLETE
78583-001LF	BLACK	
78583-002	BLUE	OBSOLETE



NOTES:

- MOLDING MATERIAL: POLYETHYLENE ETHER, COLOR: BLACK, UL 94V-0; BLUE, UL94-V-1.
- TO BE MATED WITH PIN .225±.015/5.72±.38 LONG.
- THIS HOUSING IS INTENDED FOR USE WITH MINI PV™ TERMINAL WITH 22-36 AWG WIRE.
- FOR APPLICATION INFORMATION SEE TA-531. PRODUCT SPECIFICATION: BUS-12-067.
- PRODUCT MEETS EUROPEAN UNION DIRECTIVES AND OTHER COUNTRY REGULATIONS AS DESCRIBED IN GS-22-008.
- THIS PRODUCT IS NOT INTENDED TO BE EXPOSED TO MANUFACTURING SOLDER PROCESSES.

mat'l. code		surface	tolerance	projection	product family	
SEE NOTE 1			✓		PV HOUSINGS	
ltr	ec'n no	dr	date	tolerances unless otherwise specified	title	
J	v07-0534	HTB	2007-08-22	angles	MINI LATCH HOUSING DOUBLE ROW POLARIZED 2X2	
-	-	-	-	linear		
D	v91203	BKB	1999-06-25	0°±2'		
				linear	INCH/MM	
				linear	scale 4:1	
E	v03-1362	PJ	2004-02-19	dr	M. CLOUSER	1994-05-09
F	v05-0488	HTB	2006-05-24	engr	T. HANNA	1994-05-09
G	v05-0717	TAB	2005-07-29	chr	T. HANNA	1994-05-09
H	v06-0447	HTB	2006-05-16	appd	T. HANNA	1994-05-09
sheet	revision	J				
index	sheet	1				



Copyright FCJ