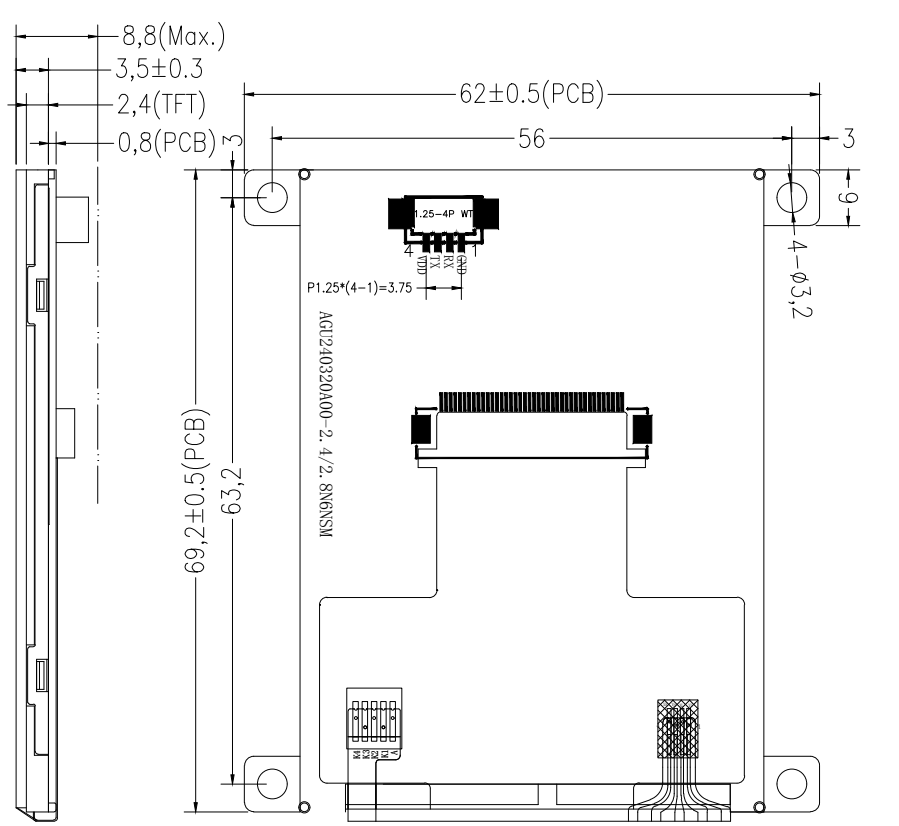
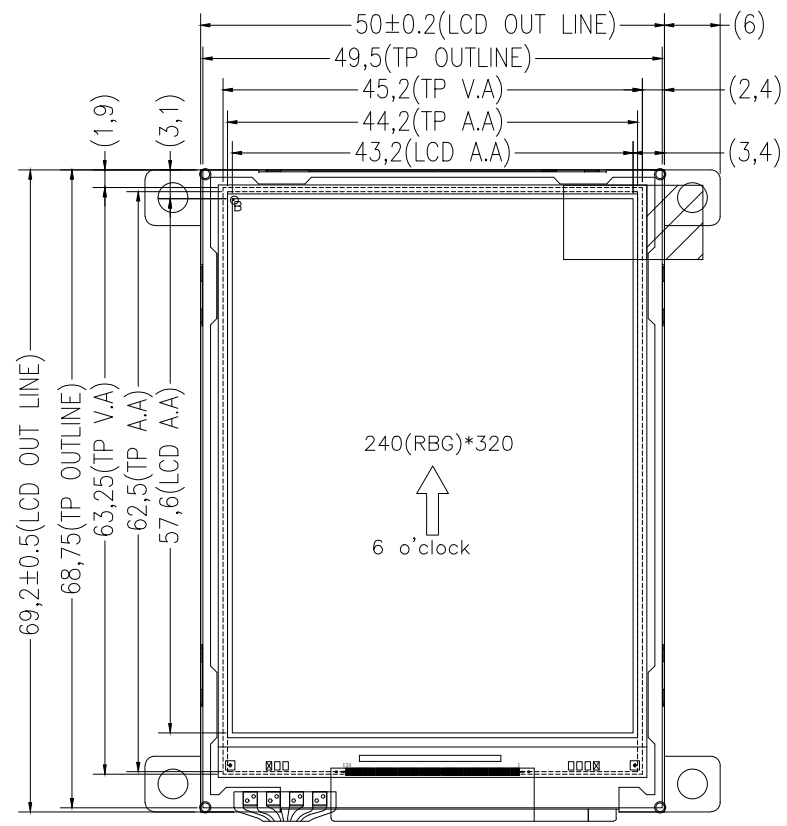
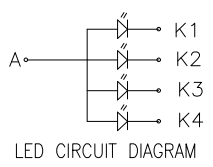


THIS DRAWING IS PROPERTY OF ORIENT DISPLAY . ALL RIGHTS RESERVED.	ITEM	PARAMETERS	ITEM	PARAMETERS	ITEM	PARAMETERS	ITEM	PARAMETERS
	DISPLAY TYPE	TN NORMAL WHITE	VIEWING DIRECTION	6 O'CLOCK	LCD OPERATING VOLTAGE	3.3V	IC	IL19341V+32Mb flash
	RESOLUTION (H*V)	2.8" 240*320 PIXELS	OPERATION TEMPERATURE	-20°C TO +70°C	LOGIC VOLTAGE	3.3V	BACKLIGHT	4-CHIP WHITE LED
	POLARIZER TYPE	TRANSMISSIVE	STORAGE TEMPERATURE	-30°C TO +80°C	GREYSCALE SUPPORT	/	CONNECTOR	ZIF



PIN DEFINE

PIN NO.	SYMBOL
1	GND
2	RX
3	TX
4	VDD



				TITLE	LCM	PART NO.	AGU240320A00-2.8N6NSM-R
				REV.	V1	CUSTOMER NO.	AGU240320A00-2.8N6NSM-R
V1	ADD RTP		2022-4-20	SCALE	FIT	UNIT	mm
V0	FIRST ISSUE		2021-12-24	ROHS/REACH COMPLIANT	YES	3rd ANGLE	SHEET 1 of 1
REV.	DESCRIPTION		DATE	UNMARKED TOLERANCE	±0.3	CUSTOMER'S APPROVAL	

1 2 3 4 5 6