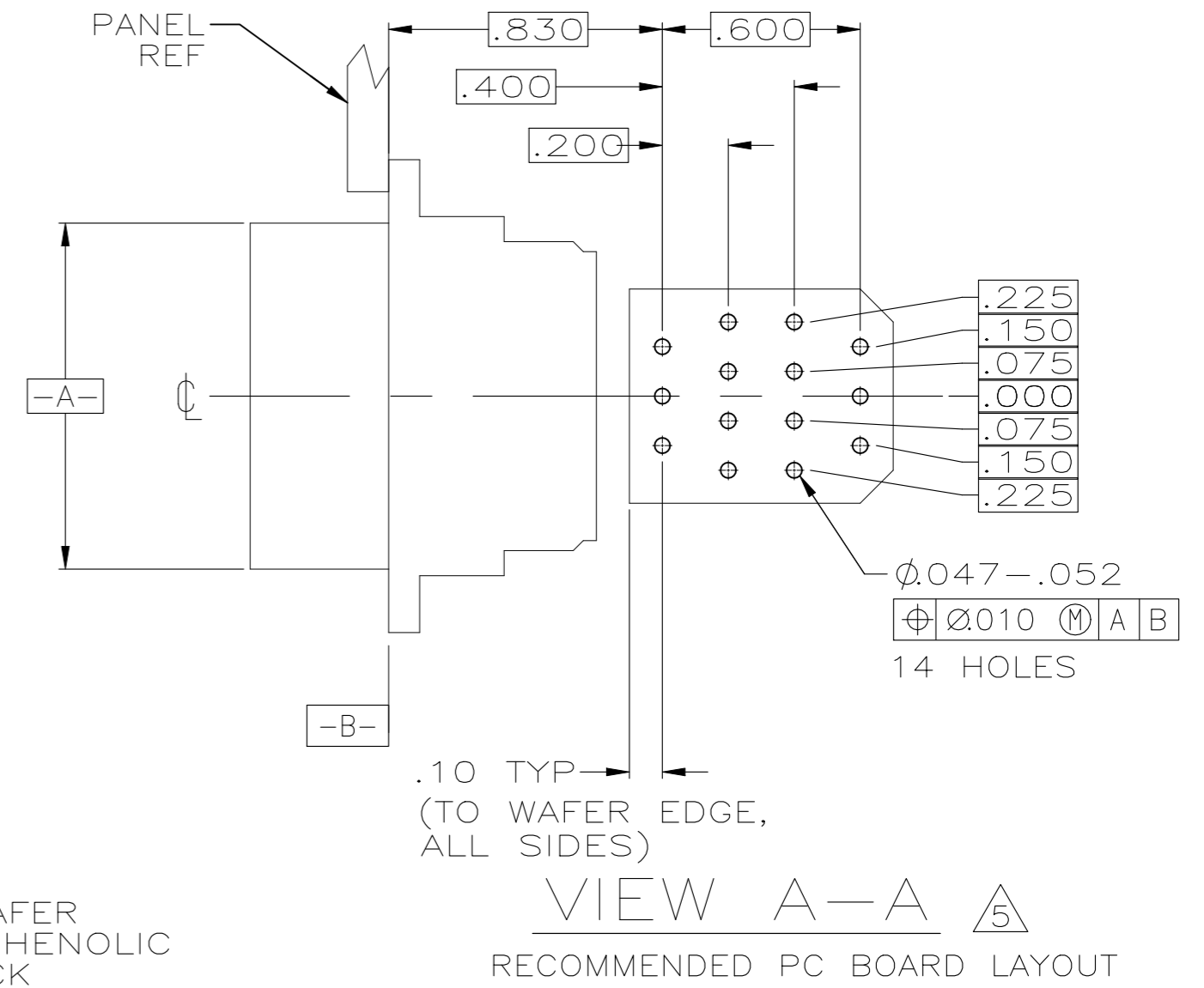
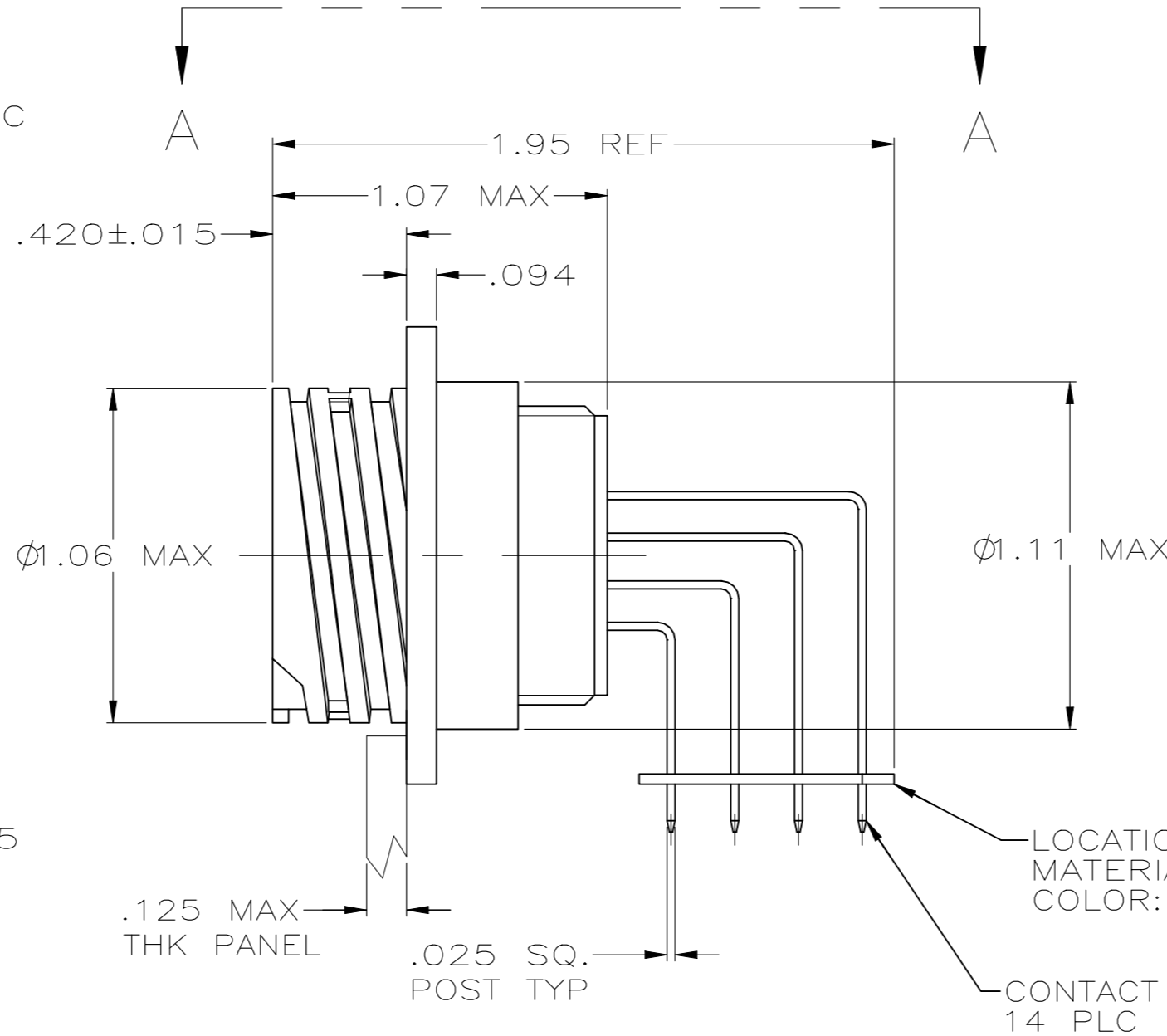
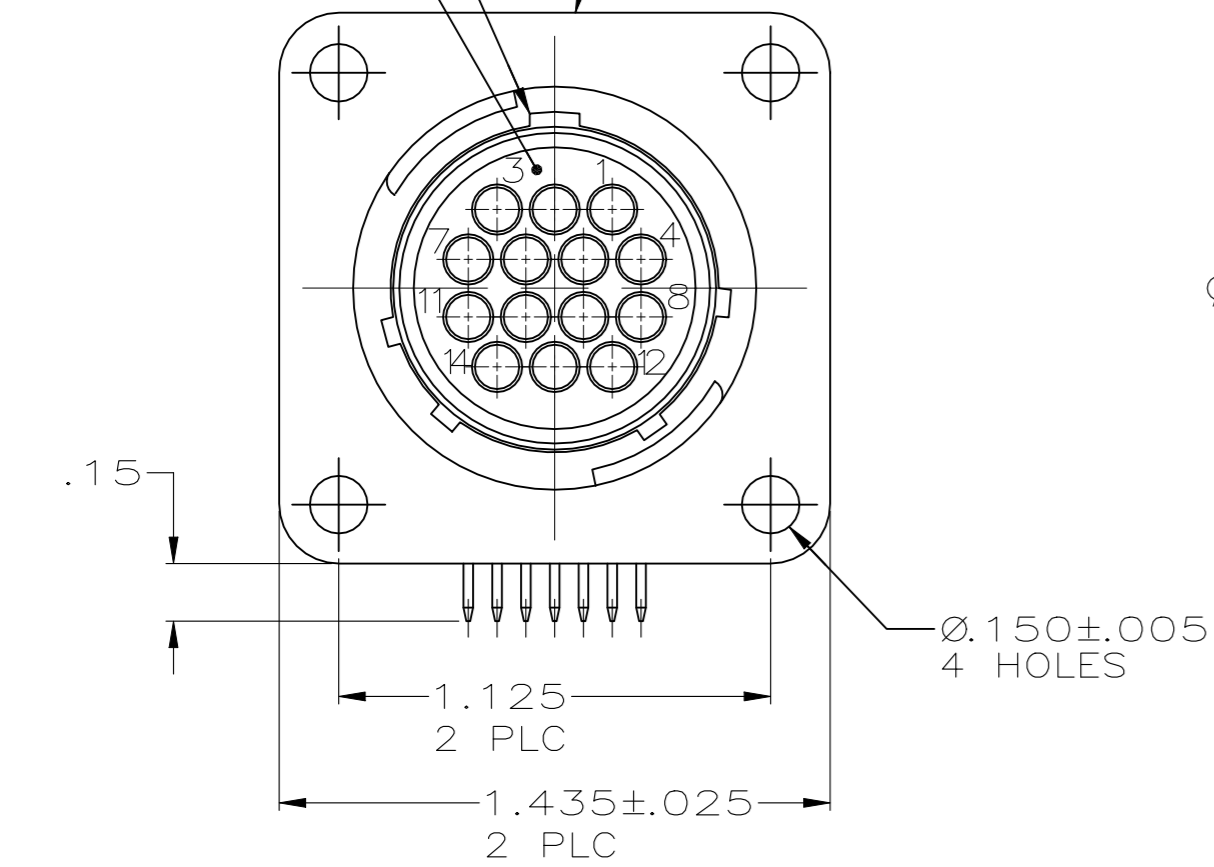
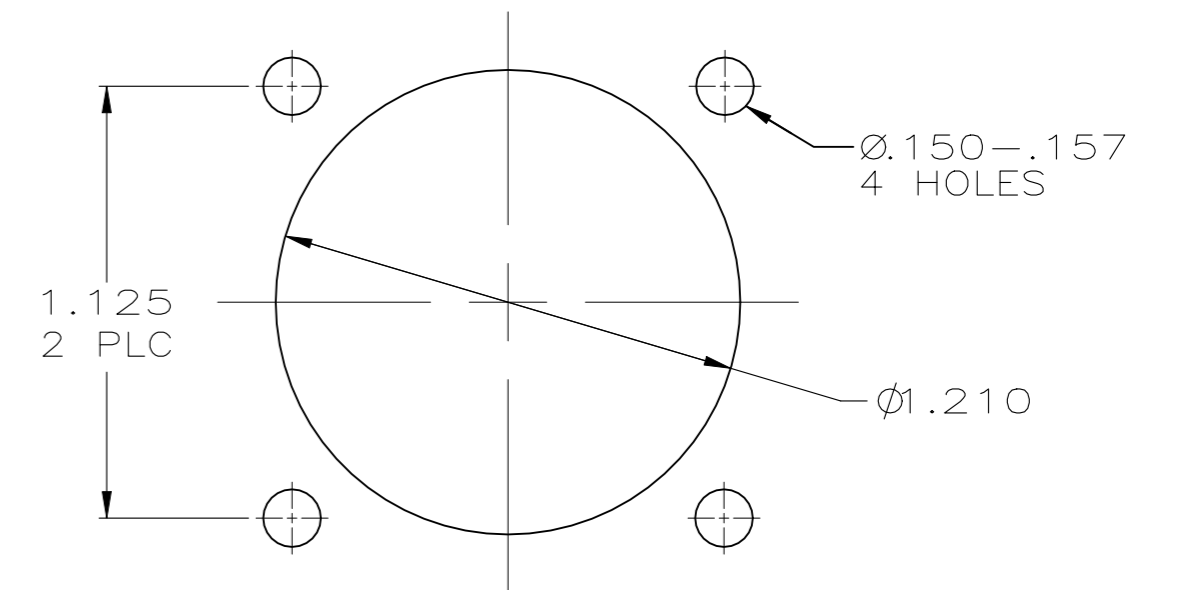


| REVISIONS |     |                          |           |     |      |
|-----------|-----|--------------------------|-----------|-----|------|
| P         | LTR | DESCRIPTION              | DATE      | DWN | APVD |
| D2        |     | REVISE PER ECR-22-150475 | 26AUG2022 | RK  | MZ   |

MAJOR KEY  
MATING FACE  
RECEPTACLE  
MATL: THERMOPLASTIC  
COLOR: BLACK



VIEW A-A  
RECOMMENDED PC BOARD LAYOUT



RECOMMENDED  
PANEL CUTOUT

|          |                |             |
|----------|----------------|-------------|
|          | 7              | 796348-6    |
|          | 6              | 796348-5    |
| OBSOLETE | 4              | 796348-2    |
| OBSOLETE | 3              | 796348-1    |
|          |                |             |
|          | CONTACT FINISH | PART NUMBER |

- CONTACT CAVITIES IDENTIFIED BY CHARACTERS ON FRONT AND REAR FACES OF CONNECTOR.
- #6 FASTENER RECOMMENDED FOR MOUNTING.
- CONTACT BODY: .000100 MIN TIN-LEAD OVER .000050 MIN NICKEL.  
CONTACT POST: .000100 MIN TIN-LEAD OVER .000100 MIN COPPER.
- CONTACT BODY: .000030 MIN GOLD FOR A LENGTH OF .200 MIN FROM MATING END, WITH REMAINDER TO BE GOLD FLASH, BOTH OVER .000050 MIN NICKEL.  
CONTACT POST: .000100 MIN TIN-LEAD OVER .000100 MIN COPPER.
- PC BOARD HOLE PATTERN IS DEFINED RELATIVE TO CONNECTOR AND PANEL MOUNTING FACE INDICATED.
- CONTACT BODY: .000030 MIN GOLD FOR A LENGTH OF .200 MIN FROM MATING END, WITH REMAINDER TO BE GOLD FLASH, BOTH OVER .000050 NICKEL.  
CONTACT POST: .000100 MIN TIN OVER .000100 MIN COPPER.
- CONTACT BODY: .000100 MIN TIN OVER .000050 MIN NICKEL.  
CONTACT POST: .000100 MIN TIN OVER .000050 MIN NICKEL.

|  |        |                  |          |           |
|--|--------|------------------|----------|-----------|
| THIS DRAWING IS A CONTROLLED DOCUMENT. |        | DWN              | HAMNER   | 3-10-00   |
| DIMENSIONS: INCHES                     |        | CHK              | M.CHACKO | 3-21-00   |
| TOLERANCES UNLESS OTHERWISE SPECIFIED: |        | APVD             | M.CHACKO | 3-21-00   |
| 0 PLC                                  | ± -    | PRODUCT SPEC     |          |           |
| 1 PLC                                  | ± -    | APPLICATION SPEC |          |           |
| 2 PLC                                  | ± .03  |                  |          |           |
| 3 PLC                                  | ± .010 |                  |          |           |
| 4 PLC                                  | ± -    |                  |          |           |
| ANGLES                                 | ± -    |                  |          |           |
| MATERIAL                               | FINISH | WEIGHT           |          |           |
|  |        |                  |          |           |
|  |        | CUSTOMER DRAWING |          | SCALE 2/1 |
|  |        | SHEET 1 OF 1     |          | REV D2    |