

CHARACTERISTICS

MATERIALS

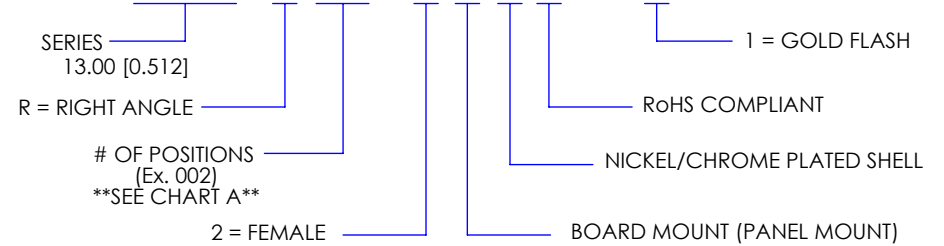
- SHELL : BRASS
- SHELL PLATING : NICKEL
- NUT : BRASS
- NUT PLATING : NICKEL
- LATCH SLEEVE : BRASS
- LATCH SLEEVE PLATING : NICKEL
- CONTACTS : COPPER ALLOY
- CONTACT PLATING : 7µ" GOLD PLATED OVER 196µ" NICKEL MIN.
- INSULATOR : PPS (HIGH TEMPERATURE)
- O-RING : SILICONE

MECHANICAL

- DURABILITY: 5000 CYCLES
- OPERATING TEMP. RANGE: -40° C ~ +200° C
- PROCESS TEMPERATURE : 260°C FOR 5 SECONDS
- MAX. TORQUE VALUE : 7.0 Nm [61.0 IN/lbs]
- SHIELDING: 75dB @ 10MHz
- 40dB @ 1GHz

IP RATING: 67

821K R YY - 2 1 3 R 00 1



**\*\*NOTE\*\***

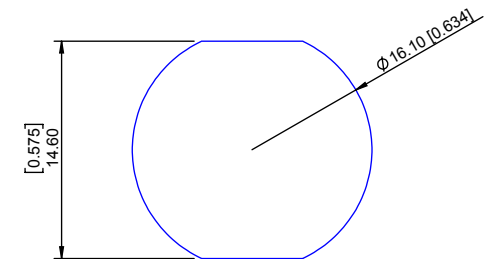
SEE PAGE 2 FOR BOARD LAYOUTS

CHART A

● = KEY LOCATION

\*\*VIEW FROM TERMINATION END\*\*

<p>2 POSITION 12 AMP MAX. PIN Ø = 1.30 [0.051]</p> <p>CONTACT RESISTANCE = 5 mΩ TEST VOLTAGE = 1500V WORKING VOLTAGE = 500V</p>	<p>3 POSITION 12 AMP MAX. PIN Ø = 1.30 [0.051]</p> <p>CONTACT RESISTANCE = 5 mΩ TEST VOLTAGE = 1300V WORKING VOLTAGE = 430V</p>	<p>4 POSITION 6 AMP MAX. PIN Ø = 0.70 [0.028]</p> <p>CONTACT RESISTANCE = 6 mΩ TEST VOLTAGE = 1300V WORKING VOLTAGE = 430V</p>	<p>5 POSITION 6 AMP MAX. PIN Ø = 0.70 [0.028]</p> <p>CONTACT RESISTANCE = 6 mΩ TEST VOLTAGE = 1250V WORKING VOLTAGE = 415V</p>	<p>6 POSITION 6 AMP MAX. PIN Ø = 0.50 [0.020]</p> <p>CONTACT RESISTANCE = 7.5 mΩ TEST VOLTAGE = 1050V WORKING VOLTAGE = 350V</p>	<p>7 POSITION 6 AMP MAX. PIN Ø = 0.50 [0.020]</p> <p>CONTACT RESISTANCE = 7.5 mΩ TEST VOLTAGE = 950V WORKING VOLTAGE = 315V</p>
---	---	--	--	--	---



PANEL CUTOUT

TOLERANCE = +0.10, -0.0  
[+0.004, -0.00]

**RoHS COMPLIANT**



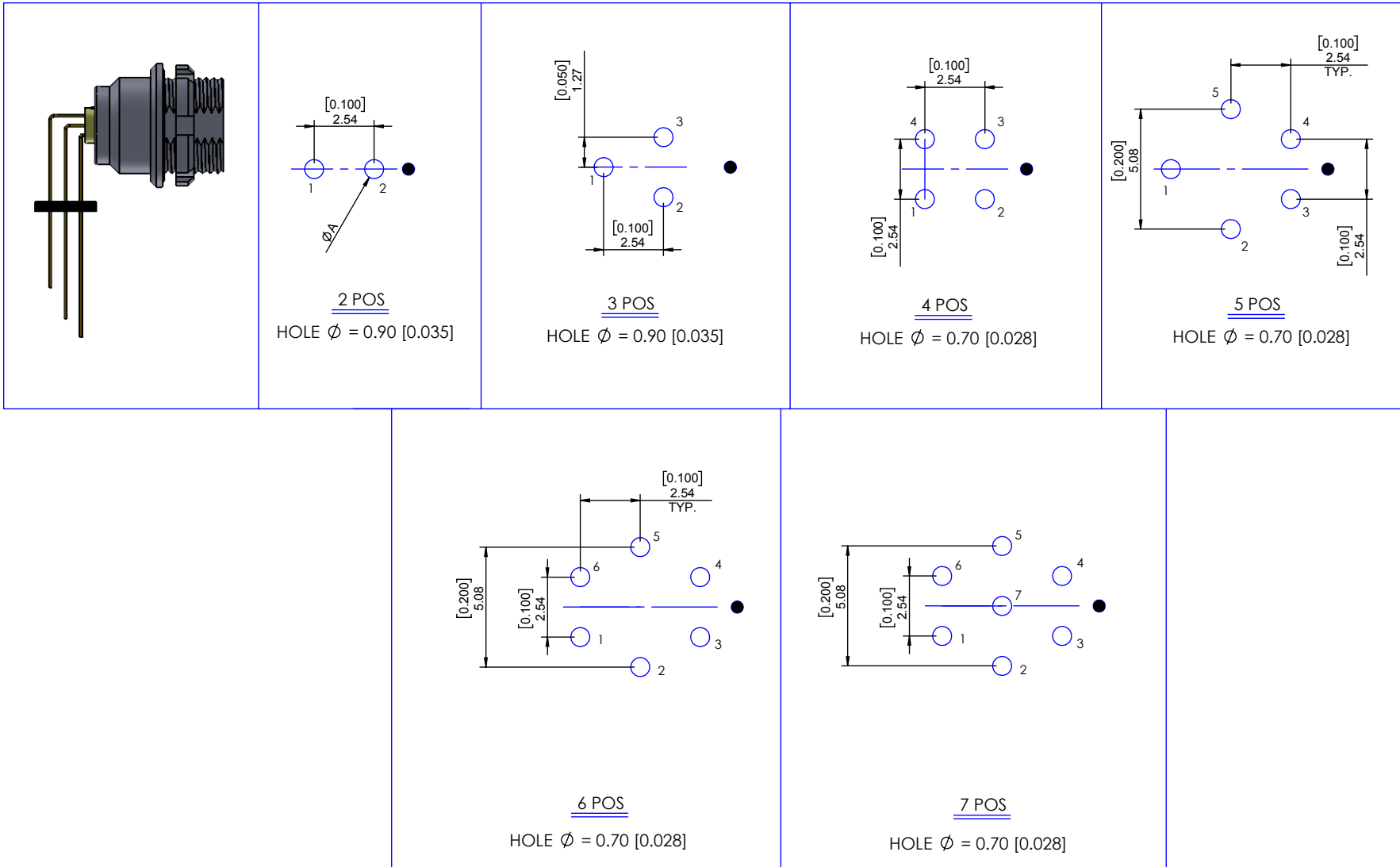
THESE DRAWINGS AND SPECIFICATIONS ARE THE PROPERTY OF NorComp AND SHALL NOT BE REPRODUCED, COPIED OR USED AS THE BASIS FOR THE MANUFACTURE OR SALE OF APPARATUS WITHOUT WRITTEN PERMISSION.

NorComp

DRAWN: M. SIGMON	DATE: 02-29-16	SCALE: N.T.S.	SHEET 1	OF 2	REV: 3
			DWG NO. 821KRY-213R001		

# BOARD LAYOUTS

● = KEY LOCATION



**RoHS COMPLIANT**



THESE DRAWINGS AND SPECIFICATIONS ARE THE PROPERTY OF NorComp AND SHALL NOT BE REPRODUCED, COPIED OR USED AS THE BASIS FOR THE MANUFACTURE OR SALE OF APPARATUS WITHOUT WRITTEN PERMISSION.

NorComp

DRAWN:  
M. SIGMON

DATE:  
02-26-16

SCALE:  
N.T.S.

SHEET OF  
2 2

REV:  
3

DWG NO.  
821KRY-213R001