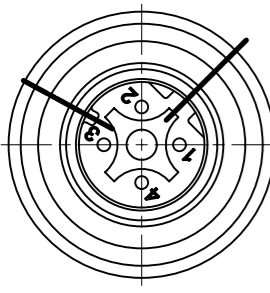


M12 4 POLE MALE



VIEW FROM THE FRONT SIDE

Pin	Wire color
1	WH/OG
2	WH/GN
3	OG
4	GN

PART No. MATRIX

E W W A 0 6 2 1 5 M X X X

E=ETHERNET

HEADS:  
W=M12 4-Pole Ultra Lock D-Coding  
W=M12 4-Pole Ultra Lock D-Coding

HEADS STYLE:  
062=MALE STR / MALE RA

UNITS:  
M=METER  
T=10x METER

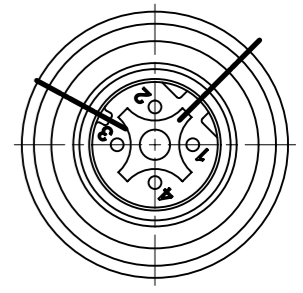
WIRING TYPE:  
A=4 Pole (STRAIGHT WIRED)

CABLE TYPE

LENGTH EXAMPLES:  
005=0.5m  
010=1m  
150=15m

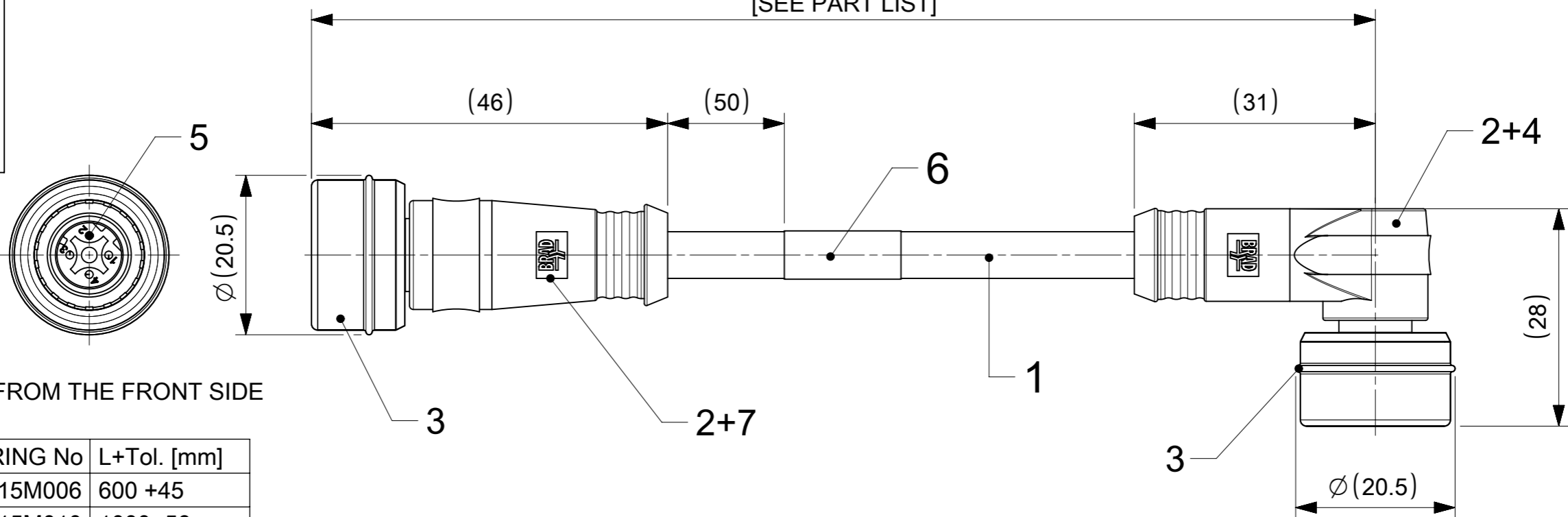
L+Tol.  
[SEE PART LIST]

M12 4 POLE MALE

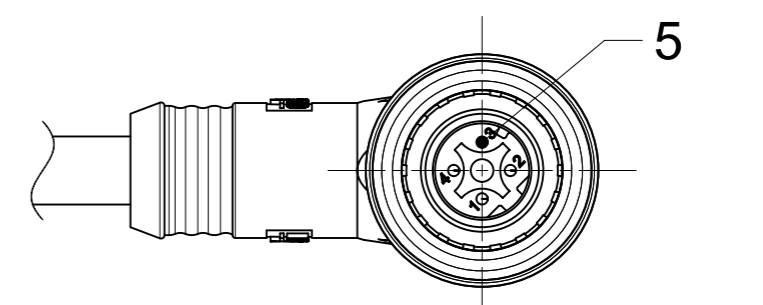


VIEW FROM THE FRONT SIDE

Pin	Wire color
1	WH/OG
2	WH/GN
3	OG
4	GN



VIEW FROM THE FRONT SIDE



VIEW FROM THE FRONT SIDE

PART LIST

MOLEX PN	ENGINEERING No	L+Tol. [mm]
1201080049	EWWA06215M006	600 +45
1201080050	EWWA06215M010	1000+56
1201080051	EWWA06215M020	2000 +89
1201080052	EWWA06215M050	5000+165
1201080053	EWWA06215M100	10000+317
1201080054	EWWA06215M150	15000+622
1201080055	EWWA06215M300	30000+622
1201088209	EWWA06215M200	20000+622
1201088210	EWWA06215M400	40000+800
1201088211	EWWA06215M600	60000+1200
1201088212	EWWA06215M800	80000+1600
1201088213	EWWA06215T100	100000+2000

BOM

ITEM	QTY.	DESCRIPTION	MATERIAL	FINISH / COLOR
7	1	M12S-SLEEVE STRAIGHT	BRASS	Ni-PLATED
6	1	WRAP LABEL	VINYL	YELLOW
5	8	CONTACT MALE	BRASS	GOLD OVER Ni-PLATED
4	1	SHIELD CLOSURE CAP 90	BRASS	Ni-PLATED
3	2	ULTRALOCK ASSEMBLY MALE	-	-
2	-	MOULDING MATERIAL	TPU	BLACK
1	-	CABLE SHIELDED PVC CAT5E	PVC	TEAL

DOCUMENT STATUS	P1	RELEASE DATE	2022/04/22	06:35:56
-----------------	----	--------------	------------	----------

NOTES :

ACC. TO CAT5e ETHERNET STD.  
MAX. VOLTAGE : 30V  
MAX. CURRENT : 1.5A  
IP RATING : IP67  
TEMPERATURE RANGE : -20°C TO +75°C

FUNCTIONAL SYMBOLS	THIS DRAWING CONTAINS INFORMATION THAT IS PROPRIETARY TO MOLEX ELECTRONIC TECHNOLOGIES, LLC AND SHOULD NOT BE USED WITHOUT WRITTEN PERMISSION	CURRENT REV DESC:																			
	<table border="1"> <tr><td>FUNCTIONAL DIMENSION UNITS</td><td>SCALE</td></tr> <tr><td>mm</td><td>3:2</td></tr> </table>	FUNCTIONAL DIMENSION UNITS	SCALE		mm	3:2	<table border="1"> <tr><td>EC NO:</td><td>703538</td></tr> <tr><td>DRWN:</td><td>SSM</td></tr> <tr><td>CHK'D:</td><td>RSILLER</td></tr> <tr><td>APPR:</td><td>RSILLER</td></tr> </table>		EC NO:	703538	DRWN:	SSM	CHK'D:	RSILLER	APPR:	RSILLER	<table border="1"> <tr><td>DOC TYPE</td><td>DOC PART</td><td>REVISION</td></tr> <tr><td>PSD</td><td>000</td><td>A</td></tr> </table>	DOC TYPE	DOC PART	REVISION	PSD
FUNCTIONAL DIMENSION UNITS	SCALE																				
mm	3:2																				
EC NO:	703538																				
DRWN:	SSM																				
CHK'D:	RSILLER																				
APPR:	RSILLER																				
DOC TYPE	DOC PART	REVISION																			
PSD	000	A																			
DIVISIONAL SYMBOLS	GENERAL TOLERANCES (UNLESS SPECIFIED)	<table border="1"> <tr><td>4 PLACES</td><td>±</td></tr> <tr><td>3 PLACES</td><td>±</td></tr> <tr><td>2 PLACES</td><td>± 0.05</td></tr> <tr><td>1 PLACE</td><td>± 0.3</td></tr> <tr><td>0 PLACES</td><td>± 0.5</td></tr> </table>		4 PLACES	±	3 PLACES	±	2 PLACES	± 0.05	1 PLACE	± 0.3	0 PLACES	± 0.5	<table border="1"> <tr><td>PRODUCT CUSTOMER DRAWING</td></tr> <tr><td>DOCUMENT NUMBER</td><td>1201080049</td></tr> <tr><td>CUSTOMER</td><td>GENERAK MARKET</td></tr> </table>	PRODUCT CUSTOMER DRAWING	DOCUMENT NUMBER	1201080049	CUSTOMER	GENERAK MARKET		
	4 PLACES	±																			
3 PLACES	±																				
2 PLACES	± 0.05																				
1 PLACE	± 0.3																				
0 PLACES	± 0.5																				
PRODUCT CUSTOMER DRAWING																					
DOCUMENT NUMBER	1201080049																				
CUSTOMER	GENERAK MARKET																				
DRAFT WHERE APPLICABLE MUST REMAIN WITHIN DIMENSIONS		THIRD ANGLE PROJECTION	DRAWING	SHEET NUMBER																	
			A3-SIZE	120108																	

6

5

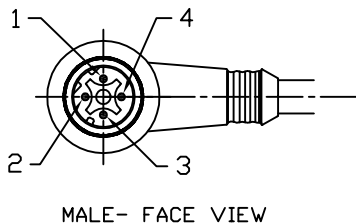
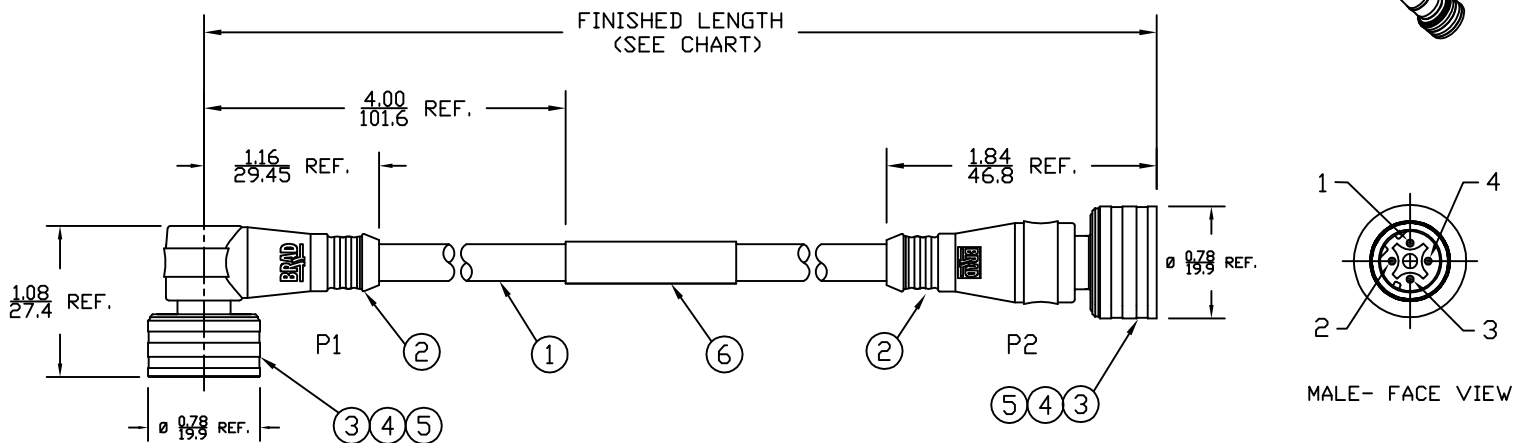
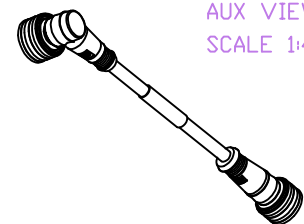
4

3

2

1

PART NUMBER	ENGINEERING NO.	LENGTH ± TOLERANCE
1201080050	EWWA06215M010	3' 3" +2.19"/-0" [ 1M +55.6/-0 mm ]
1201080052	EWWA06215M050	16' 4" +6.5"/-0" [ 5M +165.0/-0 mm ]



P1		P2	
1	WHITE/DRG	1	
2	WHITE/GRN	2	
3	ORANGE	3	
4	GREEN	4	

WIRING DIAGRAM

NOTES:

- 1) MATERIAL: SEE TABLE
- 2) FINISHES: SEE TABLE
- 3) CABLE: #26/4 SHIELDED PVC
- 4) ELECTRICAL DATA:  
ACCORDING TO CAT5e ETHERNET STANDARD  
MAX. VOLTAGE: 30V  
MAX. CURRENT 1.5A
- 5) ENVIRONMENTAL:  
PROTECTION IP67  
TEMPERATURE RANGE: -20°C TO 75°C
- 6) WRAP LABEL IS MARKED WITH P/N, DATE CODE,  
VOLTAGE & AMPERAGE.
- 7) ASSEMBLY IS RoHS COMPLIANT.

ITEM	QTY.	DESCRIPTION	MATERIAL	FINISH
6	1	LABEL	PLASTIC FILM	BLACK/YELLOW
5	2	INSERT	PUR	BLACK
4	8	PIN CONTACT	COPPER ALLOY	GOLD PLATED
3	2	M12 ULTRA-LOCK HEAD ASSY	BRASS	NICKEL
2	2	OVERMOLD	PUR	BLACK
1	1	ETHERNET CABLE-CAT5E	PVC JACKET	TEAL

SD RELEASE EC NO: MEL2010-0005 7/7/09 DRWN: VOU CHKD: BWOODMAN APPR: JFMURPHY 2009/07/20	QUALITY SYMBOLS	GENERAL TOLERANCES (UNLESS SPECIFIED)		DIMENSION STYLE	SCALE	DESIGN UNITS	THIRD ANGLE PROJECTION	
	▽=0 ∇=0	mm	INCH	IN/MM	3:4	INCH		
		4 PLACES ±----	±.005	DRAWN BY	DATE	TITLE		
		3 PLACES ±----	±.010	VOU	2009/07/07	M12 ULTRALOCK CABLE ASSY 4P M/MP ST/90 D-CODE #26/4 SHIELDED PVC		
	2 PLACES ±----	±.020	BWOODMAN	2009/07/31	MOLEX INCORPORATED			
	1 PLACE ±----	±.020	APPROVED BY		DATE	DOCUMENT NO.	SHEET NO.	
		ANGULAR ± 1/2°		SEE CHART		SD-120108-005	1 OF 1	
		DRAFT WHERE APPLICABLE MUST REMAIN WITHIN DIMENSIONS		THIS DRAWING CONTAINS INFORMATION THAT IS PROPRIETARY TO MOLEX INCORPORATED AND SHOULD NOT BE USED WITHOUT WRITTEN PERMISSION				

6

5

4

3

2

1

E

E

D

D

C

C

B

B

A

A