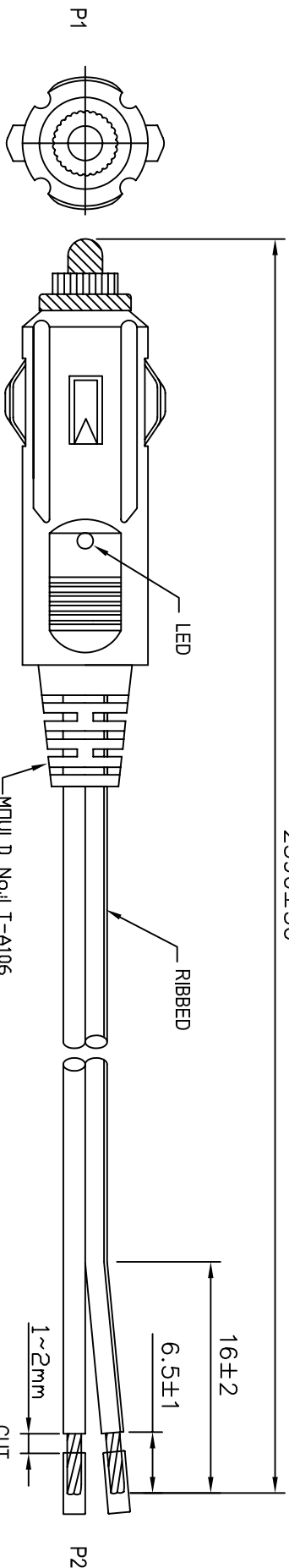


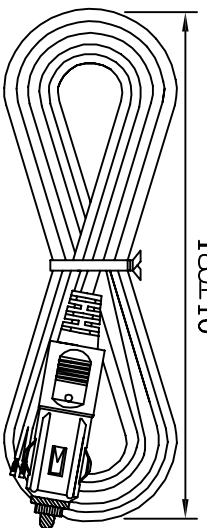
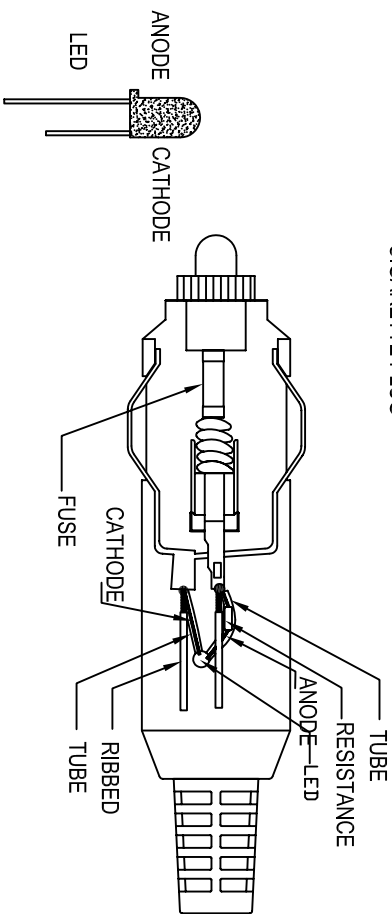
2590±50



CIGARETTE PLUG

WIRE CONNECTION

P1	WIRE COLOR	P2
TIP	FUSE	CUT
GND	RIBBED	CUT



NO	ITEM	DESCRIPTION	QUANTITY
4	LED	Ø3mm GREEN (GREEN LIGHT)	1PCS
4	FUSE	6A 250V	1PCS
3	RESISTANCE	1/4W 2KOHM±10%	1PCS
2	CONN	CIGARETTE PLUG	1PCS
1	CABLE	SFT-22C/16AWG COLOR:BLACK	1PCS

NOTES: ALL DIMS ARE IN mm.

08-139	04/09/08	B	CHANGED THE DRAWING TO NEW PRINT&CHANGED THE P/N TO CPA-2590-16/2-6A-NL	VC	JY
07-566	12/04/07	A	REMOVED THE PLACE OF LED	Robert	JY
ECN#	DATE	SYM	REVISION RECORD	AUTH	BY

PROJECTION

SCALE N/A

TOLERANCE EXCEPT AS NOTED

DEC. DIMENSION N/A

DEC. INCH N/A

ANG. N/A

TITLE: CIGARETTE PLUG/CUT-RQHS COMPLIANT

DR. Jln DATE 12/21/06 REF. P/N: CPA-2590-16/2-6A-NL

CK. VC PRE-CB DRAWING NO. 3049 SIZE A REV. B

RD1 Research Develop Innovate

RD1 Inc. 400 Columbus Avenue Valhalla, NY 10595

THIS DOCUMENT IS OWNED BY, AND THE INFORMATION CONTAINED IN IT IS PROPRIETARY TO, RD1. BY RECEIPT HEREOF THE HOLDER AGREES NOT TO USE THE INFORMATION AND NOT TO DISCLOSE IT TO ANY THIRD PARTY, NOR REPRODUCE THIS DOCUMENT WITHOUT THE WRITTEN CONSENT OF RD1, AND AGREES TO RETURN THIS DOCUMENT FORTHWITH UPON REQUEST.