

174359-2 ✓ ACTIVE

AMP | Econoseal, Econoseal J - 070 Mark II

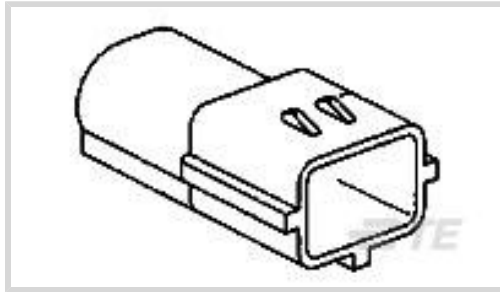
TE Internal #: 174359-2

Housing for Male Terminals, Wire-to-Wire, 3 Position, .189 in [4.8 mm] Centerline, Sealable, Black, Signal, Cable Mount (Free-Hanging), Hybrid

[View on TE.com >](#)



Connectors > Automotive Connectors > Automotive Housings > ECONOSEAL, CONNECTOR HOUSING



Connector & Housing Type: **Housing for Male Terminals**

Mating Tab Width: **1.8 mm [ .071 in ]**

Connector System: **Wire-to-Wire**

Number of Positions: **3**

Centerline (Pitch): **4.8 mm [ .189 in ]**

[All ECONOSEAL, CONNECTOR HOUSING \(108\)](#)

## Features

### Product Type Features

Connector Shape	Rectangular
Connector & Housing Type	Housing for Male Terminals
Connector System	Wire-to-Wire
Sealable	Yes
Hybrid Connector	No
Primary Locking Feature	Integrated in Housing

### Configuration Features

Number of Positions	3
Number of Rows	1

### Electrical Characteristics

Operating Voltage	12 VDC
Nominal Voltage Architecture	12 V

### Body Features

Cable Exit Angle	180°
Primary Product Color	Black

### Contact Features

--	--



Contact Size	1.8mm
Contact Type	Tab
Mating Tab Width	1.8 mm[.071 in]

#### Mechanical Attachment

Terminal Position Assurance	Yes
Strain Relief	Without
Mating Alignment Type	Polarizing Rib
Mating Alignment	With
Connector Mounting Type	Cable Mount (Free-Hanging)

#### Housing Features

Housing Material	PBT
Centerline (Pitch)	4.8 mm[.189 in]

#### Dimensions

Connector Height	13.9 mm[.547 in]
Product Width	23.1 mm[.909 in]
Product Length	32.5 mm[1.28 in]

#### Usage Conditions

Operating Temperature (Max)	70 °C, 75 °C, 80 °C, 85 °C, 90 °C, 100 °C, 105 °C[158 °F][167 °F][176 °F][185 °F][194 °F][212 °F][221 °F]
Operating Temperature Range	-30 – 105 °C[-22 – 221 °F]

#### Operation/Application

Circuit Application	Signal
---------------------	--------

#### Industry Standards

UL Flammability Rating	UL 94V-2
------------------------	----------

#### Packaging Features

Packaging Quantity	100
Packaging Method	Bag

#### Other

Serviceable	Yes
Connector Position Assurance Capable	No

## Product Compliance

For compliance documentation, visit the product page on TE.com>

EU RoHS Directive 2011/65/EU	Compliant
EU ELV Directive 2000/53/EC	Compliant
China RoHS 2 Directive MIIT Order No 32, 2016	No Restricted Materials Above Threshold
EU REACH Regulation (EC) No. 1907/2006	Current ECHA Candidate List: JUNE 2023 (235) Candidate List Declared Against: JAN 2023 (233) Does not contain REACH SVHC
Halogen Content	Not Low Halogen - contains Br or Cl > 900 ppm.
Solder Process Capability	Not applicable for solder process capability

### Product Compliance Disclaimer

This information is provided based on reasonable inquiry of our suppliers and represents our current actual knowledge based on the information they provided. This information is subject to change. The part numbers that TE has identified as EU RoHS compliant have a maximum concentration of 0.1% by weight in homogenous materials for lead, hexavalent chromium, mercury, PBB, PBDE, DBP, BBP, DEHP, DIBP, and 0.01% for cadmium, or qualify for an exemption to these limits as defined in the Annexes of Directive 2011/65/EU (RoHS2). Finished electrical and electronic equipment products will be CE marked as required by Directive 2011/65/EU. Components may not be CE marked. Additionally, the part numbers that TE has identified as EU ELV compliant have a maximum concentration of 0.1% by weight in homogenous materials for lead, hexavalent chromium, and mercury, and 0.01% for cadmium, or qualify for an exemption to these limits as defined in the Annexes of Directive 2000/53/EC (ELV). Regarding the REACH Regulation, the information TE provides on SVHC in articles for this part number is based on the latest European Chemicals Agency (ECHA) 'Guidance on requirements for substances in articles' posted at this URL: <https://echa.europa.eu/guidance-documents/guidance-on-reach>

## Compatible Parts

 <p>TE Part # 174360-7 070 ECONOSEAL MARK-2 P/CAP 3P</p>	 <p>TE Part # CAT-EC7491-T273 Econoseal Receptacles and Tabs</p>	 <p>TE Part # CAT-EC7491-CH8172 ECONOSEAL, CONNECTOR HOUSING</p>	 <p>TE Part # 171631-2 070 TAB CONT GOLD</p>
 <p>TE Part # 1-174360-1 E-J MK-2 CAP HSG 3P NATURAL</p>	 <p>TE Part # 174358-7 070 ECONOSEAL MARK-2 P/PLUG 3P</p>	 <p>TE Part # 1-900325-9 070 RUBBER PLUG M</p>	 <p>TE Part # 1-172888-3 COMPRUBBER PLUG SILICON</p>



TE Part # 900324-4  
070 RUBBER PLUG S



TE Part # 1-178210-3  
NEW RUBBER PLUG SMALL WIRE



TE Part # 936053-1  
COVER HSG FOR E-J PLUG 3P



TE Part # 174357-2  
070 ECONOSEAL MARK-2 PLUG 3P

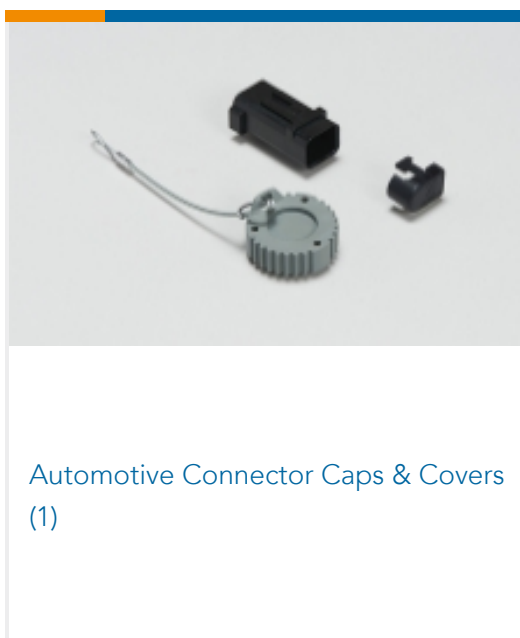


TE Part # 172746-1  
E-J MK-2 070 RUBBER PLUG



TE Part # 178210-1  
NEW RUBBER PLUG SMALL WIRE

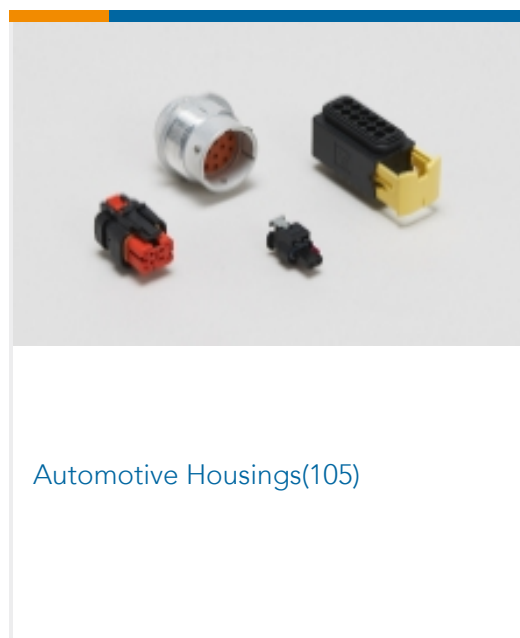
Also in the Series | Econoseal



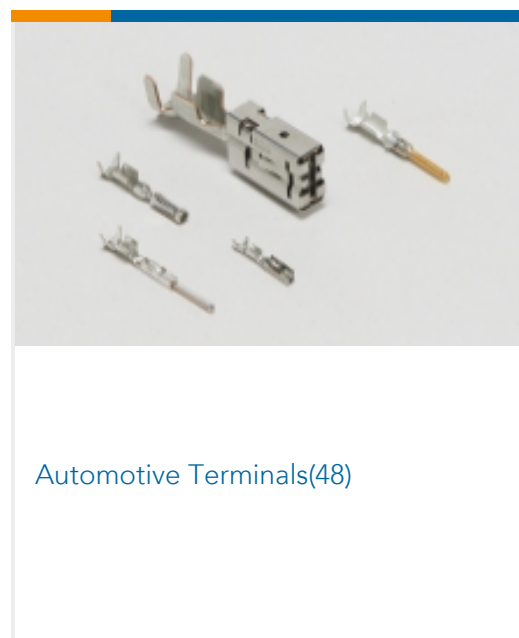
Automotive Connector Caps & Covers  
(1)



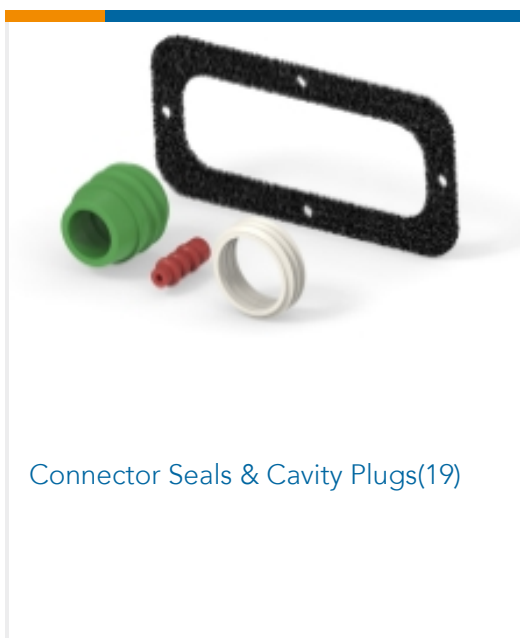
Automotive Connector Locks &  
Position Assurance(25)



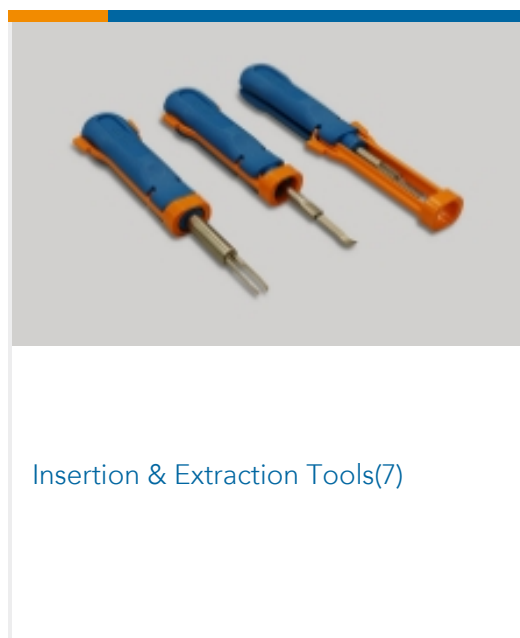
Automotive Housings(105)



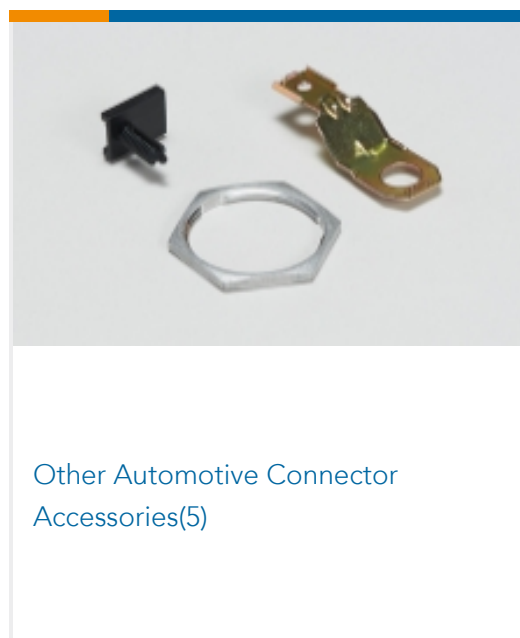
Automotive Terminals(48)



Connector Seals & Cavity Plugs(19)



Insertion & Extraction Tools(7)



Other Automotive Connector  
Accessories(5)

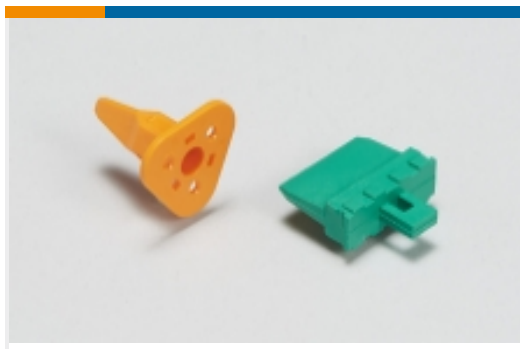


PCB Headers & Receptacles(4)



Primary Wire(1)

Also in the Series | Econoseal J - 070 Mark II



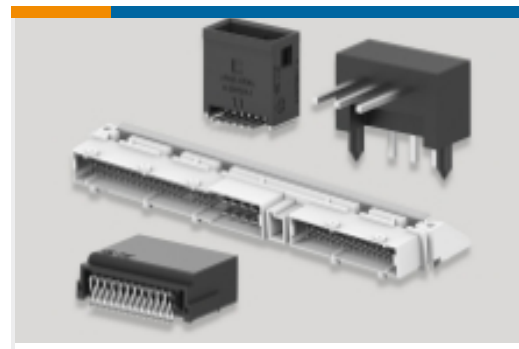
Automotive Connector Locks & Position Assurance(8)



Automotive Housings(6)



Connector Seals & Cavity Plugs(1)

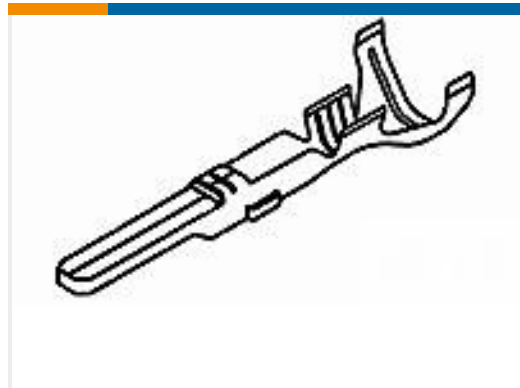


PCB Headers & Receptacles(1)

## Customers Also Bought



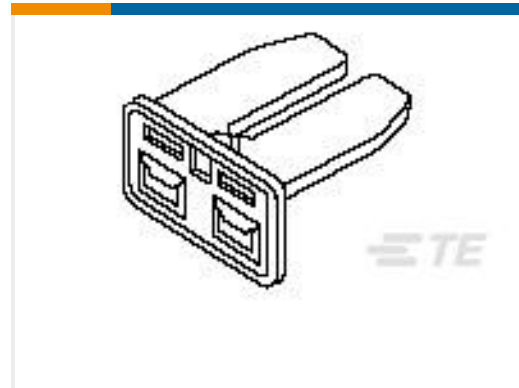
TE Part #174984-2  
ECONOSEAL, CONNECTOR HOUSING



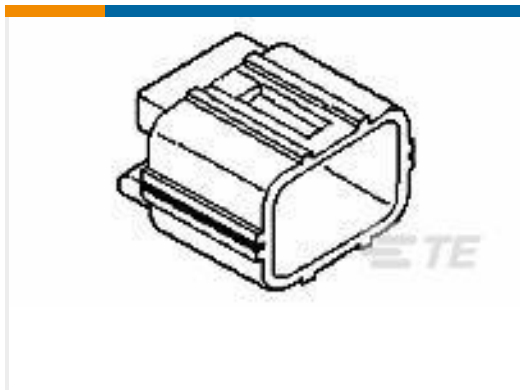
TE Part #173600-1  
070 TYPE LOOSE PIECE TAB CONT



TE Part #1827392-1  
GIC 3.3 HDR ASSY 6P



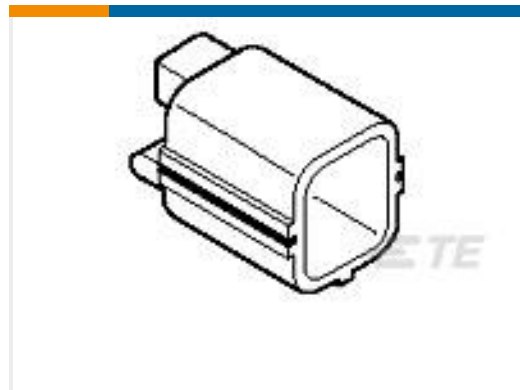
TE Part #1-174358-1  
E-J MK-2 PLUG HSG 3P NATURAL



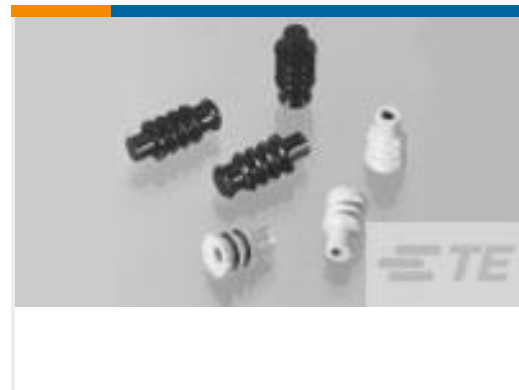
TE Part #174355-7  
070 ECONOSEAL MARK-2 P/CAP 2P



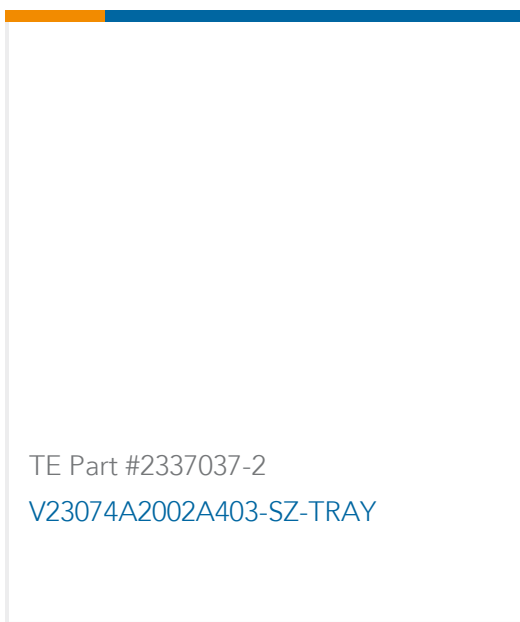
TE Part #2-1827391-1  
GIC 3.3 HDR ASSY BLUE WITH KINK



TE Part #1-174880-1  
E-J MK-2 CAP HSG 1P NATURAL



TE Part #1-368280-1  
WIRE SEAL FOR EJ MK-II(+) RED



TE Part #2337037-2  
V23074A2002A403-SZ-TRAY

## Documents

### Product Drawings

[070 ECONOSEAL MARK-2 CAP 3P](#)

English

### CAD Files

Customer View Model

[ENG\\_CVM\\_174359-2\\_B.3d\\_igs.zip](#)

English

Customer View Model



[ENG\\_CVM\\_174359-2\\_B.3d\\_stp.zip](#)

English

**Customer View Model**

[ENG\\_CVM\\_174359-2\\_B.2d\\_dxf.zip](#)

English

**3D PDF**

English

By downloading the CAD file I accept and agree to the [Terms and Conditions](#) of use.

---

### Datasheets & Catalog Pages

**Econoseal Connector Series**

English

---

### Product Specifications

**Product Specification**

English

**Product Specification**

Japanese

---

### Instruction Sheets

**ECONOSEAL J MARK II+ CONNECTOR (EJ-MK II+)**

English

**Customer Manual (non U.S.)**

English

**ECONOSEAL J MARK II+ CONNECTOR**

English

**Customer Manual (non U.S.)**

English

---

### Agency Approvals

**Agency Approval Document**

English