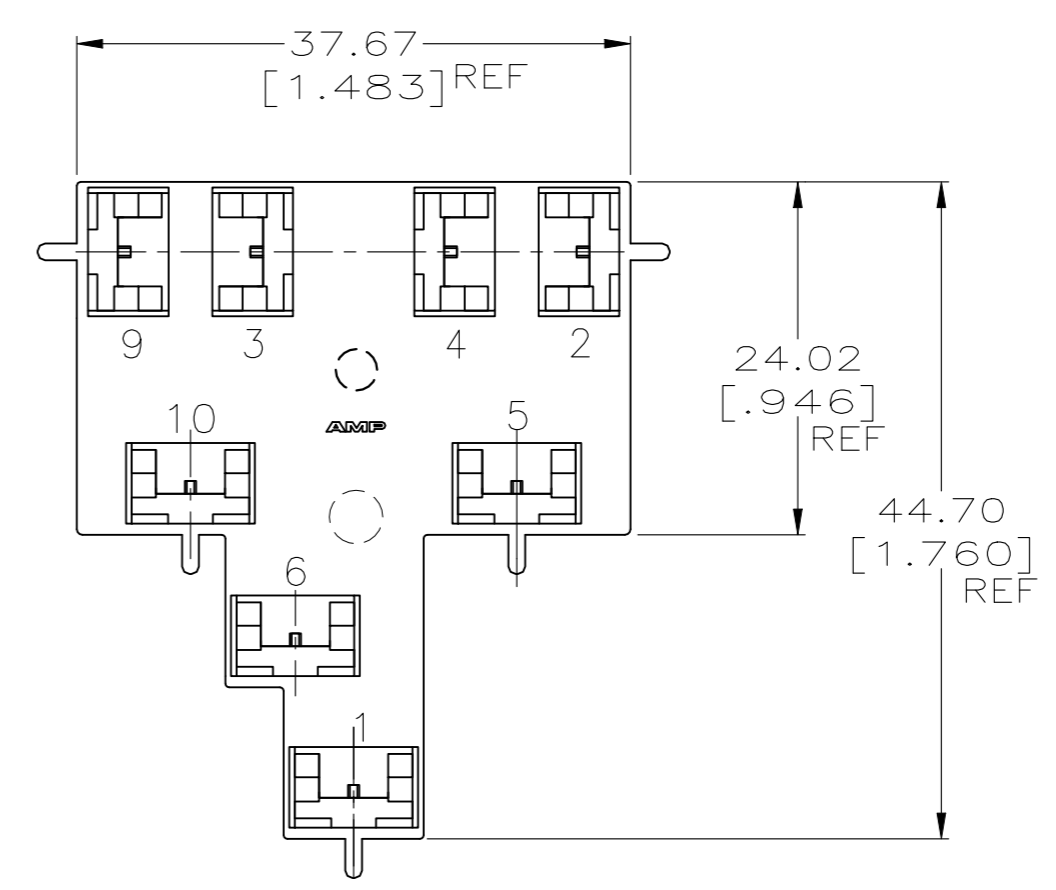
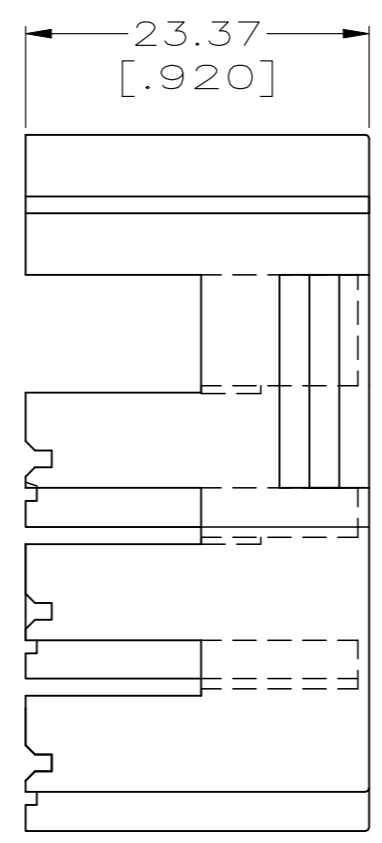
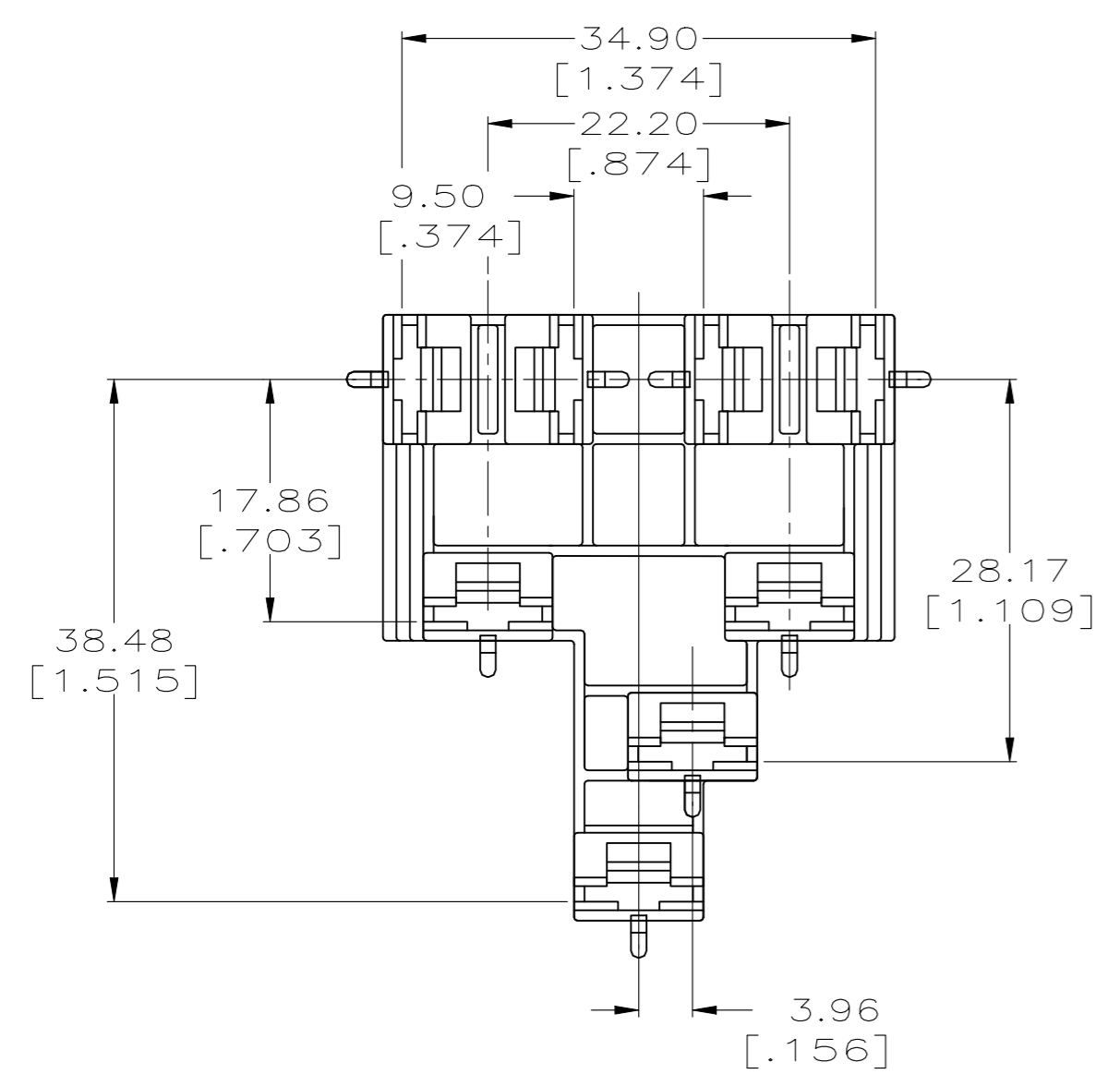


THIS DRAWING IS UNPUBLISHED. RELEASED FOR PUBLICATION .19
 © COPYRIGHT 19 BY AMP INCORPORATED. ALL INTERNATIONAL RIGHTS RESERVED.

LOC	DIST	P	F	ZONE	LTR	DESCRIPTION	DATE	APPD
AF	50					C1 REVISED PER ECR-19-017980	09DEC2021	SS/EW



OBSOLETE

521002-1

PART NO

DO NOT SCALE PRINT. UNLESS SPECIFIED DIMENSIONS IN mm [INCHES] TOLERANCES ON: 2 PLC DEC ± 0.25 [.010] 3 PLC DEC ± - ANGLES ± -		DR 1/28/92 JR RUTH		AMP Incorporated Harrisburg, PA 17105-3608	
MATERIAL 6/6 NYLON		CHK 1/28/92 MS FEHER			
FINISH NATURAL		APPD 1/28/92 R BEAVER		NAME HOUSING, RECEPTACLE, FASTON, 6.35 [.250] SERIES 8 POSITION	
		APPD 1/28/92 D REINER		SIZE C 00779	
		PRODUCT SPEC -		DRAWING NO 521002	
		APPLICATION SPEC -		SCALE 2:1	
		WEIGHT -		SHEET 10F 1	

METRIC