

5

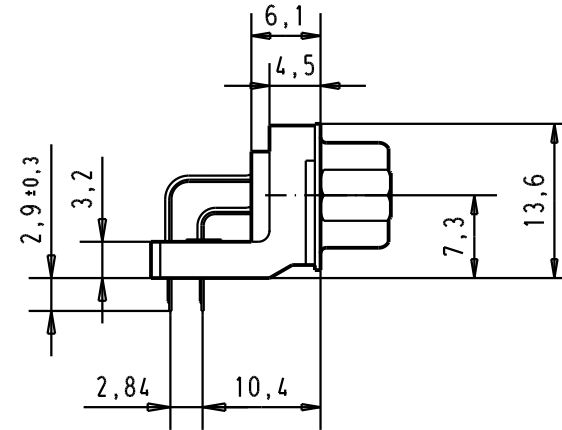
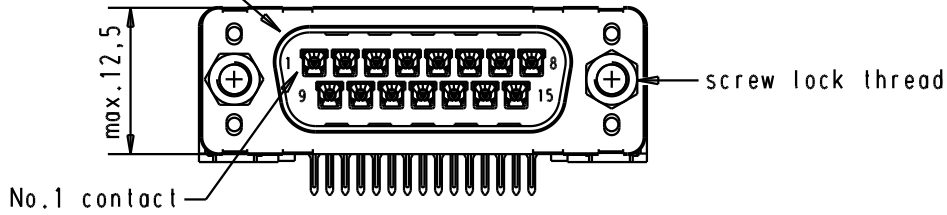
4

3

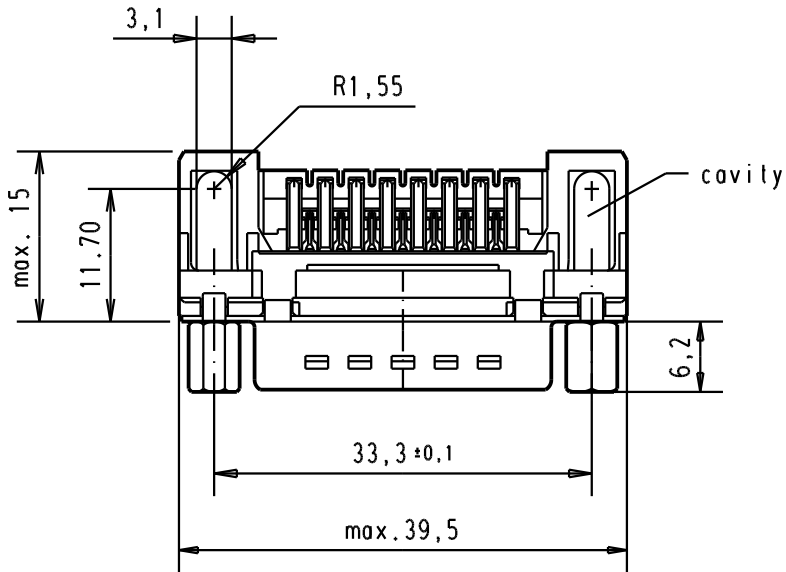
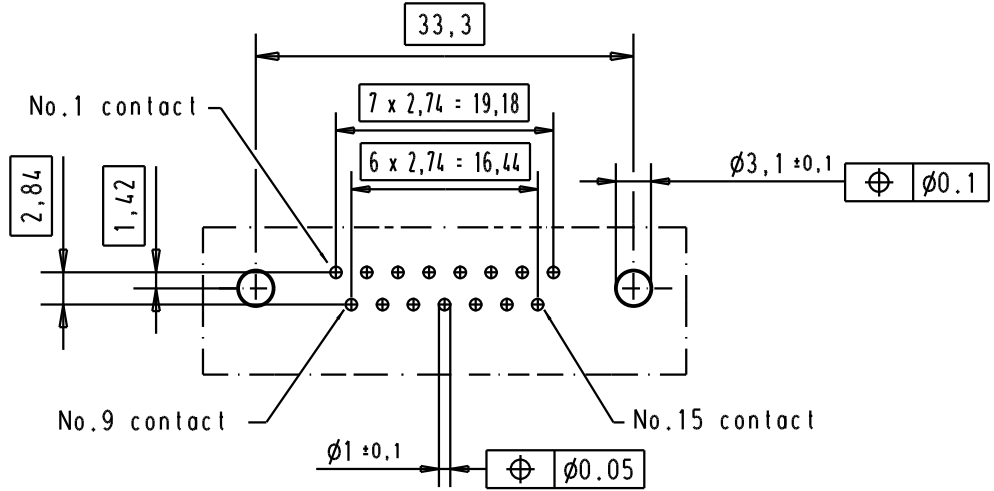
2

1

Mating face according to : MIL-C-24308 / DIN 41652 / CECC 75301-802



Printed board layout
component side

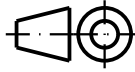



D

C

B

A

						Det.	Name	 <p>All Dim. in mm Orig. Size DIN A 4</p>	D-Sub, male, standard angle, 15 Poles, with solder pins, screw lock and hole	Moßstab/ Scale	
						Detail.	13/dec/00			ALSPACE	1.5:1
						Insp.					
09 65 223 3803	4-40 UNC	1	29773	18-APR-02	CV	Stand.			Blatt/ Page 3		
09 65 223 6803	4-40 UNC	2	29689	02/07/01	AA	HARTING EUROL F-95972 Paris					
09 65 223 7803	4-40 UNC	3	27960	13/dec/00	ALSPACE						
Part number	Screw lock thread	Performance level	Mod.	Dat.	Name	TB 0965223x80x Sub.					