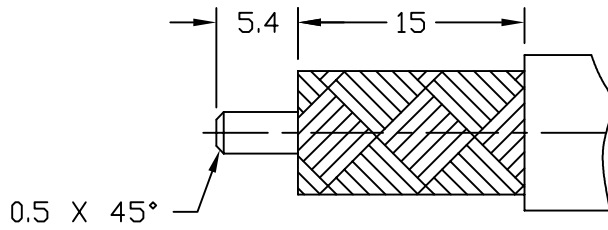
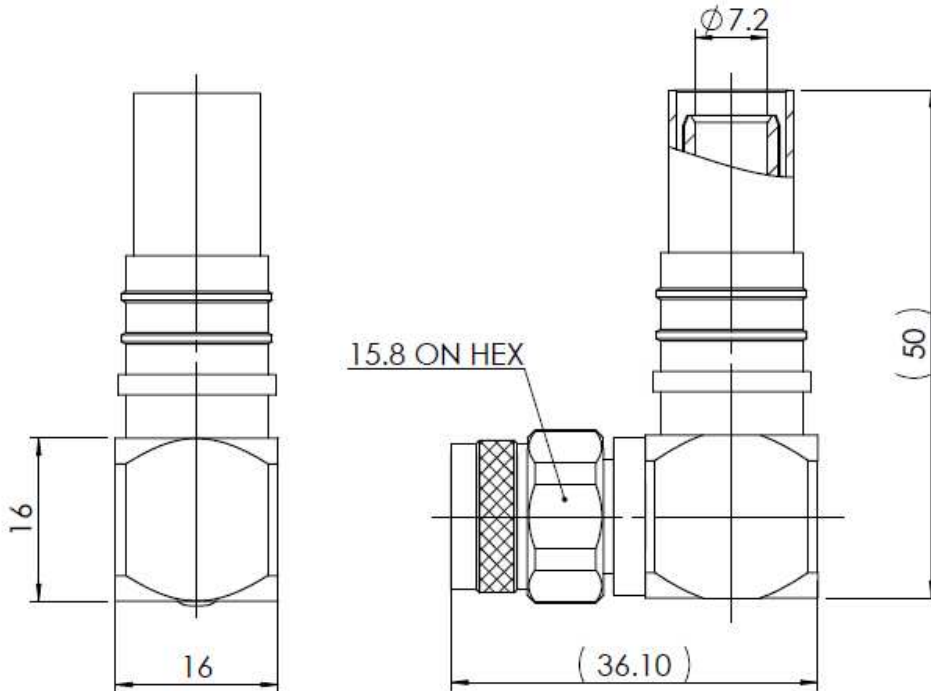


NOTICE OF PROPRIETARY RIGHTS THIS DOCUMENT CONTAINS CONFIDENTIAL TECHNICAL DATA, INCLUDING TRADE SECRETS, PROPRIETARY TO TIMES MICROWAVE SYSTEMS. DISCLOSURE OF THIS DATA IS EXPRESSLY CONDITIONED UPON YOUR ASSENT THAT ITS USE IS LIMITED TO USE WITHIN YOUR COMPANY ONLY. ANY OTHER USE IS STRICTLY PROHIBITED WITHOUT THE PRIOR WRITTEN CONSENT OF TIMES MICROWAVE SYSTEMS.

SYM	REVISION DESCRIPTION	DFTM	DATE	APPD	DATE
A	RELEASED FOR PRODUCTION	D. J. H.	8/31/12	J. D. B.	9/4/12



CABLE PREP.
USE CST-400
(3192-004)
.429" HEX.



Reference standard IEC60169-17

I. Electric Performance

Nominal Impedance(Ω): 50
Frequency Range: DC-6GHz
VSWR: ≤ 1.35
Insert Loss: ≤ 0.1
Insulation resistance ($M\Omega$): ≥ 5000
Withstand voltage (V): 1500
Conductor resistance (m Ω):
outer conductor < 0.4
inner conductor < 1.5

II. Mechanical Performance

Tensile force(cable-connect) 400N
Torsion(cable-connect) 2N.m

III. Material and plating :

Component	Material	Plating
inner conductor	Spring copper	Au 1.27um
outer conductor	Brass	Copper-tin-zinc 2um
insulator	PTFE	
o-ring	Silicon rubber	

IV. Environment

Temp.range -55°C~+155°C
Weather standard IEC 60068 55 / 155/ 56
Thermal shock US MIL-STD 202,Meth.107,Cond.B
Vibration US MIL-STD 202,Meth.204,Cond.B
Shock US MIL-STD 202,Meth.213,Cond.I

V. Assemble: inner conductor installed and outer conductor crimped

MATL:	UNLESS OTHERWISE SPECIFIED	DFTM. D. J. H.	TIMES MICROWAVE SYSTEMS
		DATE 8/31/12	
USED ON: O-1	ALL DIMENSIONS ARE IN mm MACHINED SURFACES FINISH N/A RMS MAX. REMOVE ALL BURRS N/A MAX. BREAK MACHINE CORNERS N/A MAX. FILLET R. TOLERANCES ON DECIMALS .XX \pm N/A .XXX \pm N/A ANGLES $\pm 1^\circ$ FRACTIONS \pm N/A	CHKD. J. D. B.	EZ-400-TM-RA-X 90° TNC MALE FOR LMR-400 CABLE EZ/CRIMP/NO BRAID TRIM
		DATE 9/4/12	
SCALE: N/A	DWG. SIZE A	APPD. J. D. B.	SHEET 1 of 1 SD3190-2800 REV A
DO NOT SCALE DRAWING	CODE IDENT 68999	DATE 9/4/12	