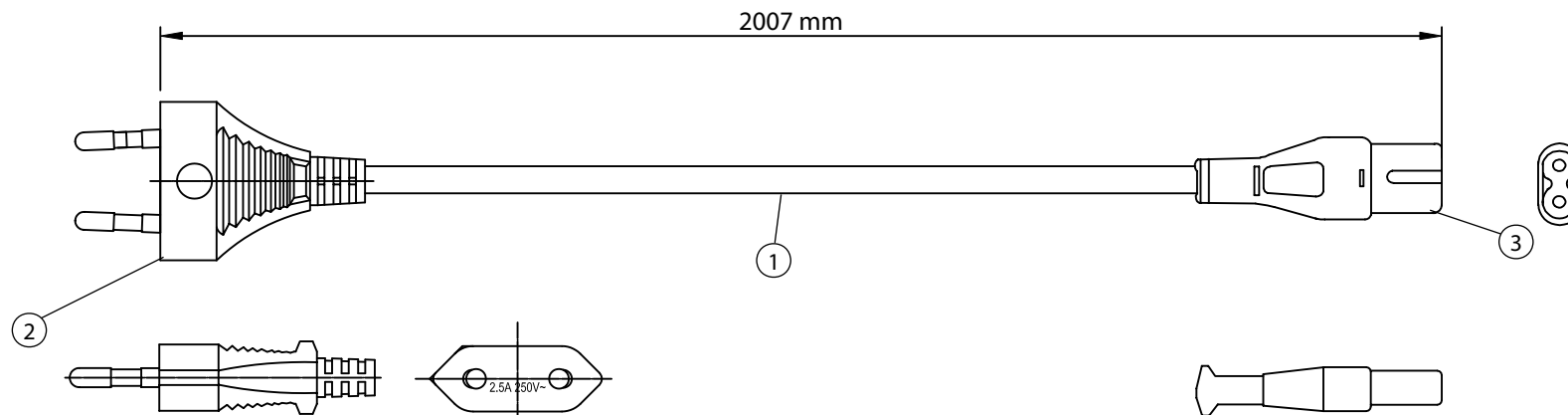


THESE DRAWINGS ARE THE PROPERTY OF QUALTEK ELECTRONICS AND NOT TO BE REPRODUCED FOR OR COMMUNICATED TO A THIRD PARTY WITHOUT THE EXPRESS WRITTEN PERMISSION OF AN OFFICER OF QUALTEK ELECTRONICS.

REVISION			
REV.	DESCRIPTION	DATE	APPROVED



CONTROLLED

NOTES:

1. CORDAGE: H03VVH2-F, 2x0.75mm, UNSHIELDED, CEE COLOR CODE, TEMP. RATING 70°C, RATING: 250V 2.5A, JACKET COLOR: BLACK
2. PLUG: IEC 884/EN 50 075
3. CONNECTOR: IEC 60320 C7
4. APPROVALS: GERMANY, SWITZERLAND, DENMARK, NORWAY, FINLAND, FRANCE, BELGIUM, ITALY, NETHERLANDS, SWEDEN, AUSTRIA
5. ROHS COMPLIANT

Dim range (mm)		Tolerance +/- (mm)		Qualtek Electronics Corp. PPC DIVISION		
0-1		0.15		Part Number: 360006-E01 <div style="float: right; border: 1px solid green; padding: 2px;">RoHS Compliant</div>		
1-6		0.20		Description: POWER CORD UNIT: mm		
6-18		0.30				
18-50		0.50				
50-120		0.70				
120-250		0.90		Drawn / Date	Checked / Date	Approved / Date
250-500		1.20		R.Nuti 10-30-07	10-30-07	JJH / 10-30-07