



MADE IN THE USA
PATENT PENDING

Product Description:

- Protection System - Double Gown - 4"
- Holds disposable or reusable gowns, aprons, or coveralls/jumpsuits, three boxes of gloves, earloop masks, and miscellaneous supplies
- ADA and CMS Wall Protrusion Compliant
- Keyholes for wall mounting, or cutout for use with BOWMAN® hanger
- Quartz Beige ABS Plastic

Primary Area for Product Usage:

- Anywhere protective equipment products are needed

Dispenses:

- Left: Gowns, aprons, or coveralls/jumpsuits no larger than 15.00"W x 15.25"H x 3.80"D (38.1 cm x 38.8 cm x 9.7 cm)
- Top right: Item(s) no larger than 4.88"W x 8.00"H x 3.80"D (12.4 cm x 20.3 cm x 9.7 cm)
- Middle right: Box(es) no larger than 10.01"W x 5.38"H x 3.80"D (25.4 cm x 13.7 cm x 9.7 cm)
- Bottom right: Item(s) no larger than 10.01"W x 6.03"H x 3.80"D (25.4 cm x 15.3 cm x 9.7 cm)

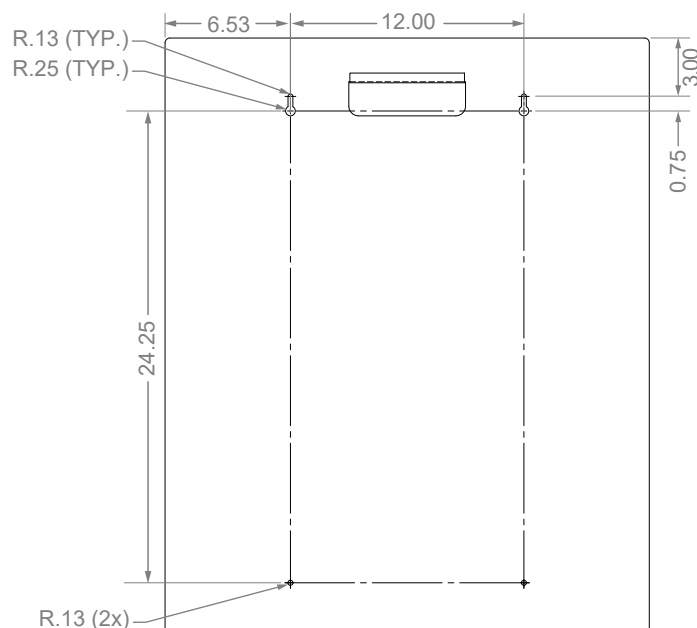
Package Specifications:

- Package Quantity: 1 per case
- 26"L x 6"W x 32"H (66.0 cm x 15.2 cm x 81.3 cm)
- 10.0 lbs (4.5 kg) - approximated

Product Specifications (overall external dimensions):

- 25.11"W x 30.75"H x 4.00"D (63.8 cm x 78.1 cm x 10.2 cm)
- 7.2 lbs (3.2 kg) - approximated

Mounting Specifications:



Accessories (each sold separately):

- MP-047: Sign Holder - Clip-On (below left)
- BOWMAN® Door and Wall Hangers: MB-450, MB-500, MB-510, and MB-600 (below right)

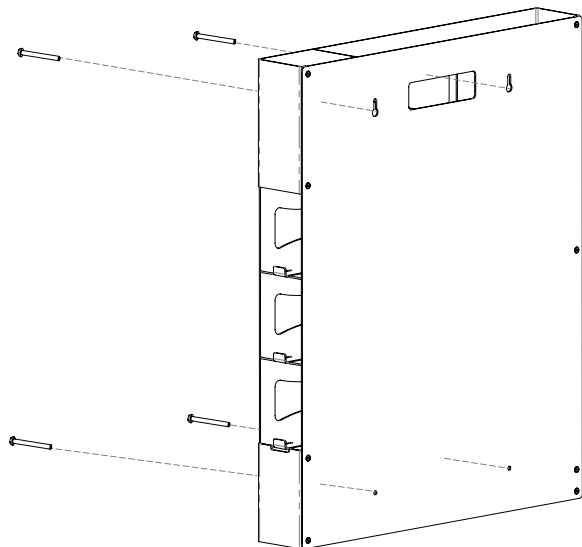




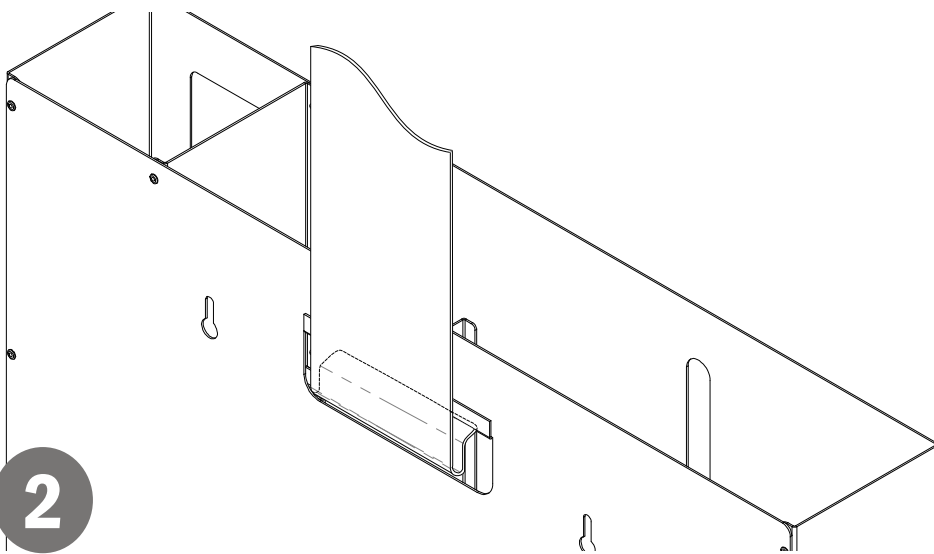
Installation

Always mount dispensers securely *prior* to loading with product.

- Mount securely to a wall with screws approved and supplied by building maintenance.



- Dispenser can be mounted onto a BOWMAN® door or wall hanger through the cutout in the back.



Parts included:

- Dispenser

Tools Required:

- No tools required to assemble dispenser

Care and Construction

ABS Plastic

Material Characteristics

Designed for Long-Term, Heavy-Duty Applications

The combination of copolymers (Acrylonitrile, Butadiene, and Styrene) gives ABS an excellent combination of strength, rigidity, and toughness. The fauxwood finish is ARVINYL laminate created from a semi-rigid film.

ABS is chemical and stress-crack resistant. It is tough, dimensionally stable, and will hold up to long-term use. To ensure product longevity, fauxwood products should not be mounted in very hot or cold areas.

Care and Cleaning

Use mild soap and water to clean. Petroleum-based oils, solvents, and paints should not be used.

Standard hospital cleaning supplies are approved for use on our ABS plastic products.