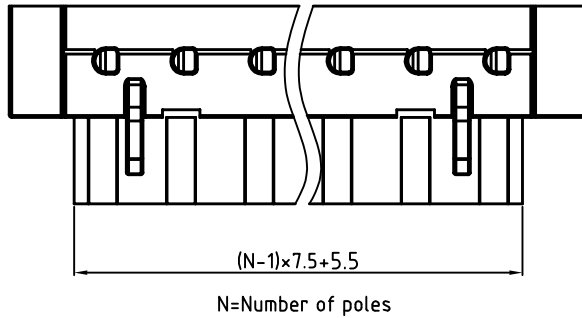


SIGN	DATE	DESCRIPTION	APPROVER
<b>THIS IS CAD DRAWING, DO NOT REVISE MANUALLY!!!</b>			

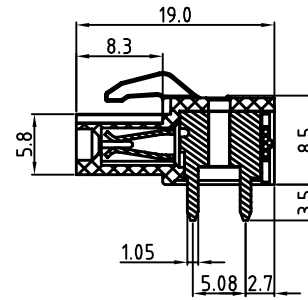
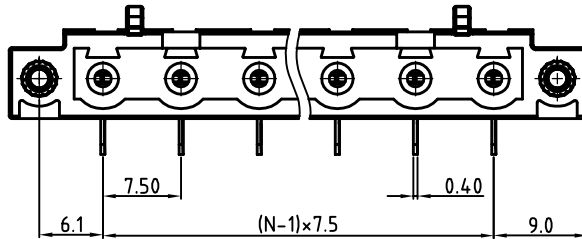


**Material**

- Wire guard: PhBz(CuSn)
  - Surface of solder tail: Tin plated
  - With Flange Nut Brass M2.5
  - Insulator (housing): Thermoplastic (UL94V-0)
- Electrical**

- Voltage rating: 300VAC
- Current rating: 10A
- Withstanding Voltage: 1.6kv
- Operating temperature: -30°C to +105°C
- Soldering temperature: 250°C ± 10°C / 5 Sec

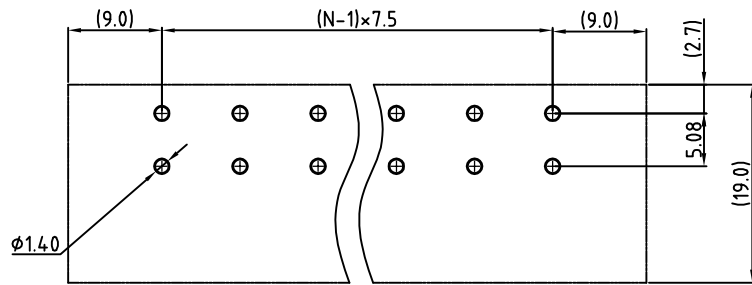
RoHS Compliant



PART NUMBER:

**OSTV7XXA251**

No. of Poles	COLOR
02 2 Pole	0: Black
03 3 Pole	5: Green (Standard)
... ..	6: Blue
16 16 Pole	8: Light Grey



THESE DRAWINGS AND SPECIFICATIONS ARE THE PROPERTY OF ON-SHORE TECHNOLOGY, INC. AND SHALL NOT BE REPRODUCED, COPIED OR USED IN ANY MANNER WITHOUT THE PRIOR WRITTEN CONSENT OF ON-SHORE TECHNOLOGY, INC.



TITLE		OSTV7 7.5mm Series W/F 90° Right angle 2p-16p			
PART NO.	OSTV7XXA251	DWG NO.	OSTV7XXA251.DWG		
APPROVED	CHECKED	DESIGNED	DRAWN	CUST NO.	Tolerance
Shi Jun 2006.11.11	Shi Jun 2006.11.11	Tason 2006.08.04	Tason 2006.08.04		X. ±0.5
					UNIT: mm
				SHEET: 01/01	X.XX ±0.1
				REV.: B	X° ±1°