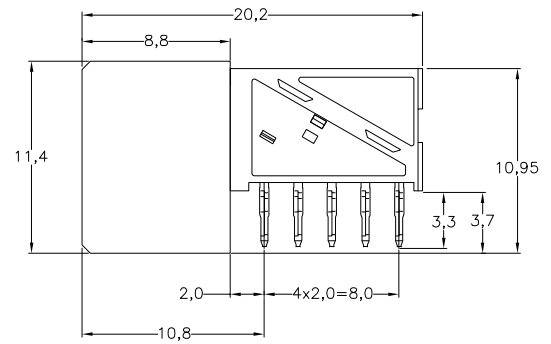
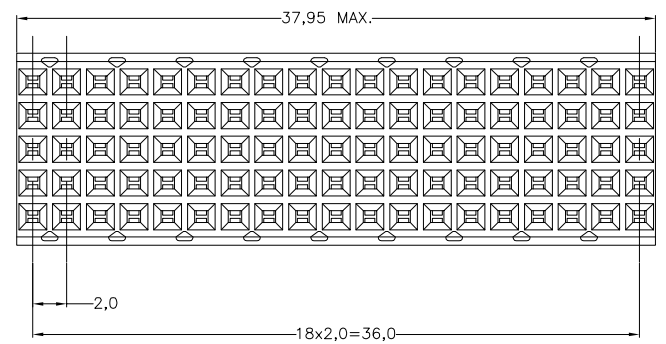
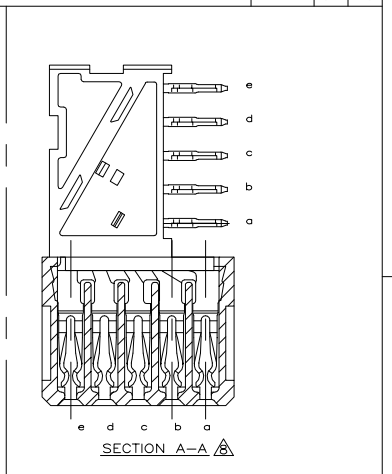
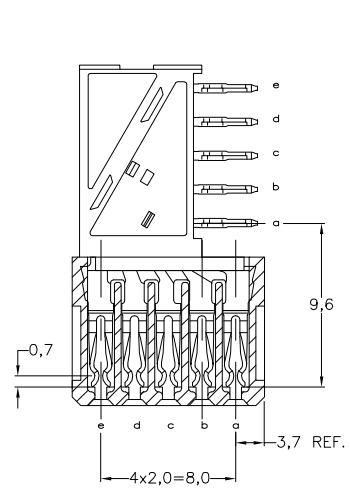
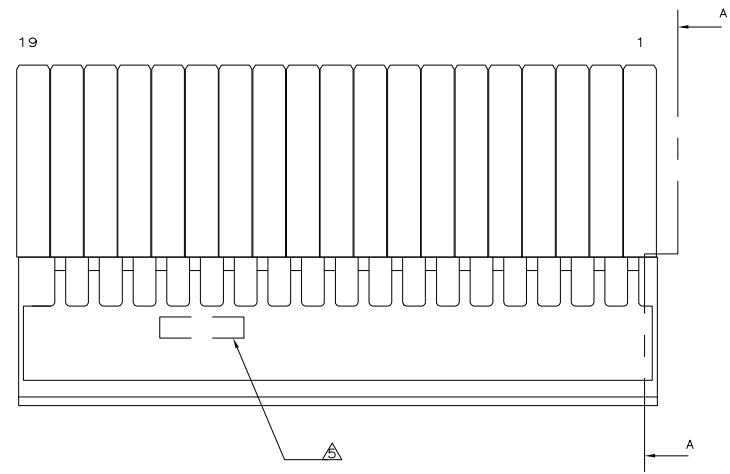
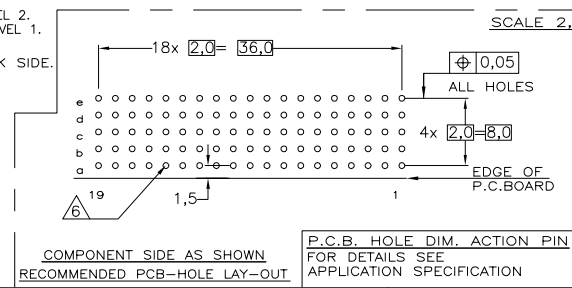


THIS DRAWING IS UNPUBLISHED. RELEASED FOR PUBLICATION
 © COPYRIGHT - By - ALL RIGHTS RESERVED.

LOC		DISP		REVISIONS			
P	LTR	DESCRIPTION	DATE	DNW	APP'D		
ES	00						
A		INITIAL RELEASE	14AUG2012	SY	AC		



- NOTES:**
- ⚠ MATERIAL CONTACT; PHOSPHORBRONZE
MATERIAL HOUSING;
GLASSFILLED POLYESTER UL-RATING 94VO (GRAY)
 - ⚠ GENERAL PLATING SPECIFICATION; UNDERPLATING (ENTIRE CONTACT): 1,27µm NICKEL MIN. AND ACTION PIN: 0,5µm TIN-LEAD MIN.
FOR PLATING OF MATING SURFACES SEE APPLICABLE SPECIFICATION REFERENCE FOR EACH DASH NUMBER.
 - ⚠ CONFORMS TO ALL TESTING ACCORDING IEC 61076-4-101 PERFORMANCE LEVEL 2.
 - ⚠ CONFORMS TO ALL TESTING ACCORDING IEC 61076-4-101 PERFORMANCE LEVEL 1.
 - ⚠ CONNECTOR PRINTED WITH PARTNUMBER AND DATECODE
THE MARKING CAN APPEAR ON THE FRONT SIDE OR ON THE BACK SIDE.
 - ⚠ PLATED-THROUGH HOLES AT 2x2mm SQUARE GRID. 95 HOLES
FITS WITH INTEGRATED GROUND RETURN UPPERSHIELD,
BASIC P.N. 352028
AND INTEGRATED GROUND RETURN LOWERSHIELD,
BASIC P.N. 352029
 - ⚠ CONNECTOR ASSEMBLED WITH ALTERNATE FEMALE CONTACTS.
1,27µm MIN GOLD PLATING AT MATING SURFACES, NO LUBRICANT.



THIS DRAWING IS A CONTROLLED DOCUMENT.

DIMENSIONS:	TOLERANCES UNLESS OTHERWISE SPECIFIED:
mm	
0-PLC	±
1-PLC	±
2-PLC	±
3-PLC	±
4-PLC	±
ANGLES:	
FINISH:	

FINISH	MATERIAL	2170349-5
PARTNUMBER		
TE TE Connectivity		
DNW SANDERS YAN 10MAY2012	APVD ALEX CAI 10MAY2012	NAME
PRODUCT SPEC		Z-PACK 2MM HM 95 POS. (19 COLUMNS) FEMALE DAUGHTER CARD CONNECTOR
108-19082	APPLICATION SPEC	114-19029
SIZE	CAGE CODE	DRAWING NO
A2	00779	©=2170349
CUSTOMER DRAWING	SCALE	NTS
SHEET	1	OF 1
REV		A