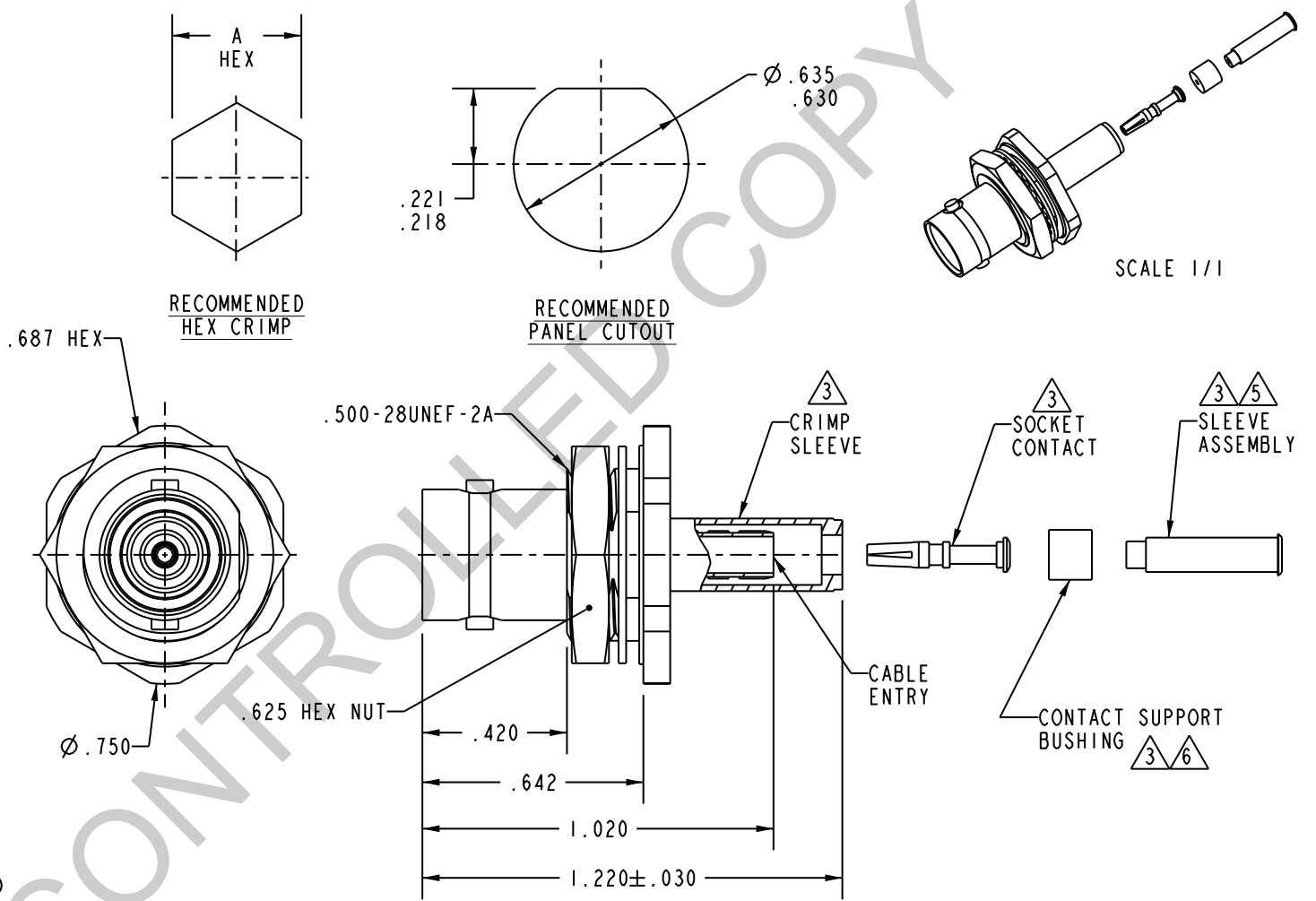


DASH NUMBER	CABLES ACCOMMODATED	A HEX	ASSEMBLE PER
-001	RG-178, -196	.178	TAI-A118
-002	HEWLETT PACKARD 8120-1107	.197	
-003	RG-174, 316	.178	
-004	RG-179, 187		
-005	NORTHERN ELECTRIC DBL-SHLD RG-187	.197	
-006	GC875GPI, GRUMMAN DBL-SHLD RG-188		
-007	275-3991, MICRODOT	.178	
-008	RG-195, -180 421-111, ESSEX		
-009	8218, BELDEN YR23023 BELDEN 21-597, ESSEX		
-011	RG-58; RG-141; RG-303	.213	TAI-A118
-013	RG-59	.255	
-013A	TCC-75-2		
-013B	RG-62		
-014	8212, BELDEN	TAI-A118	
-015	730A, AT&T	.290	
-015A	RG-71		
-016	724, AT&T 8281, BELDEN	.324	
-017	RG-6	.344	
-018	9268, BELDEN	.255	
-019	8279, BELDEN		
-020	9248, BELDEN	.290	
-021	88240, BELDEN	.213	
-022	88241, 88269, BELDEN	.255	TAI-C118
-023	89108, BELDEN	.290	
-024	89120, BELDEN		
-025	734A, AT&T		
-026	735A, AT&T		
-027	HS19224L2, AT&T		.178

DATA CONTAINED IN THIS DOCUMENT IS PROPRIETARY TO TROMPETER ELECTRONICS INC. AND SHALL NOT BE DISCLOSED, COPIED OR USED FOR PROCUREMENT OR MANUFACTURE WITHOUT EXPRESS WRITTEN PERMISSION.		REVISIONS		
REV	DESCRIPTIONS	DATE	APPROVED	
C	REVISED PER ECO 16784			



- △6 CONTACT SUPPORT BUSHING REQUIRED ON -013B, -015A & -22 ONLY
- △5 SLEEVE REQUIRED ON -001 THRU -007 & -027 ONLY
- 4. MAXIMUM PANEL THICKNESS: .100
- △3 CRIMP SLEEVE, SOCKET CONTACT, SLEEVE ASSEMBLY AND CONTACT SUPPORT BUSHING ARE SUPPLIED LOOSE
- 2. RF COAXIAL 75 Ω BNC FULL CRIMP BULKHEAD MOUNT RECEPTACLE
- 1. FINISH: TFS-1A (NICKEL)

NOTES: UNLESS OTHERWISE SPECIFIED.

INTERPRET DRAWING PER MIL-STD-100. DIMENSIONS ARE IN INCHES AND INCLUDE FINISH THICKNESS UNLESS OTHERWISE SPECIFIED.		TOL: UNLESS SPECIFIED. .XX ± .02 .XXX ± .010 ANGLE ± 1°		 a cinch connectivity solutions brand			
DWN R JOHNSON	10-24-08	MATERIAL:	TITLE:				
CHK		FINISH:		UBJ220			
QUALITY							
MANUF				SIZE	CAGE CODE	DRAWING NO.	REV.
APPROVED				△	14949	1-0515	C
NEXT ASSY	PROJ TITLE NO. 1-0515	DO NOT SCALE DWG	SCALE	2/1	DATE	4-11-94	SHEET 1C