

GlobTek, Inc. www.globtek.com 186 Veterans Drive, Northvale, NJ 07647 Tel. (201) 784-1000 Fax (201) 784-0111	Drawing Title: GTM91128LI3CEL, ICT / ITE / Medical Power Supply, Efficiency Level: N/A, Case Color/Style: GlobTek Black, Wall Plug-in+Desktop Combination, Li-Ion Battery Charger, Input Rating: 100-240V~, 50-60 Hz, IEC 60320/C8 w/ Wall Blades Option , Output Rating: 12.6W, 12.6V@1.0A, Output Configuration: 1830 mm, 18/1C + Shield Cond, UL 1185, T-plug system (includes 5.5x2.5, 5.5x2.1, 3.5x1.3mm plugs in each kit), Ferrite: Core Size: 14.2*28.5*8.2, GlobTek Black, GT Cord # C21500, Pin Out: Polarity Configuration T00 All plugs are Medical Grade, Locking, Polarized once installed, and single use only. Product demonstration link: <a href="https://en.globtek.com/news/t00-changeable-output-plug-system-for-power-supplies">https://en.globtek.com/news/t00-changeable-output-plug-system-for-power-supplies</a> MOLDED CONNECTORS AVAILABLE, Blades/Input Cord: (Order Separately), Approvals: CB 60950; ETL; EAC; SIQ 61558; SIQ; SIQ; SIQ; S-Mark 60950; cRUus (up to 30V); cRUus; S-Mark IEC/EN 60601-1; S-Mark 62368; UKCA; CE; RoHS; China RoHS; WEEE; PSE; Ukraine; Double Insulation; ETL; CB 60335; Book 60601; VCCI; IP54;	
	Model No. GTM91128LI3CEL	
	Part No./Ordering No. GTM91128LI3C1000T00	Rev B

In Addition to GlobTek Inc.'s renewed ISO9001:2015 - Quality Management System Certification, GlobTek Inc. is now certified to:

ISO13485:2016 - Medical Devices Quality Management System Certification

ISO14001:2015 - Environmental Management System Certification

ISO Certificates are available online at <https://www.globtek.com/iso-certificates/>

The acceptance of this specification and use of the product described in this document indicates the acceptance and binding of the customer to Globtek TERMS AND CONDITIONS (attached to the end of this document), which supersede all other agreements, terms, and conditions (<https://en.globtek.com/terms-and-conditions/>).

The purchaser of this product (Customer) agrees that it is their sole responsibility to determine suitability/fitness of the product described in this specification for their application and to take precautions for protection against any hazards attendant to the handling and use of the product.

Footnote:

GlobTek Inc. will not be liable for the safety and performance of these power supplies/battery packs if unauthorized access and repair occurs. End user should consult applicable UL, CSA or EN standards for proper installation instruction.

Limitation of Use:

GlobTek products are intended for use with commercial, medical, and/or industrial equipment only. GlobTek product are not authorized for use as mission critical components in life support hazardous environment, nuclear or aircraft applications without prior written approval from the CEO of GlobTek Inc.

Contents of this document are subject to change without prior notice.

### Customer Approval of Specification:

Please approve, sign and send back to GlobTek so we can complete order processing.

A delay in receipt of this form will delay delivery schedule.

Company Name: _____	Customer P/N: _____
Quote Number: _____	Date: _____
Authorized Representative Name: _____	Authorized Representative Signature: _____

<b>GlobTek, Inc.</b> www.globtek.com 186 Veterans Drive, Northvale, NJ 07647 Tel. (201) 784-1000 Fax (201) 784-0111	Drawing Title: GTM91128LI3CEL, ICT / ITE / Medical Power Supply, Efficiency Level: N/A, Case Color/Style: GlobTek Black, Wall Plug-in+Desktop Combination, Li-Ion Battery Charger, Input Rating: 100-240V~, 50-60 Hz, IEC 60320/C8 w/ Wall Blades Option , Output Rating: 12.6W, 12.6V@1.0A, Output Configuration: 1830 mm, 18/1C + Shield Cond, UL 1185, T-plug system (includes 5.5x2.5, 5.5x2.1, 3.5x1.3mm plugs in each kit), Ferrite: Core Size: 14.2*28.5*8.2, GlobTek Black, GT Cord # C21500, Pin Out: Polarity Configuration T00 All plugs are Medical Grade, Locking, Polarized once installed, and single use only. Product demonstration link: <a href="https://en.globtek.com/news/t00-changeable-output-plug-system-for-power-supplies">https://en.globtek.com/news/t00-changeable-output-plug-system-for-power-supplies</a> MOLDED CONNECTORS AVAILABLE, Blades/Input Cord: (Order Separately), Approvals: CB 60950; ETL; EAC; SIQ 61558; SIQ; SIQ; SIQ; S-Mark 60950; cRUus (up to 30V); cRUus; S-Mark IEC/EN 60601-1; S-Mark 62368; UKCA; CE; RoHS; China RoHS; WEEE; PSE; Ukraine; Double Insulation; ETL; CB 60335; Book 60601; VCCI; IP54;	
	Model No. GTM91128LI3CEL	
	Part No./Ordering No. GTM91128LI3C1000T00	Rev B

## REVISION HISTORY

REV	DESCRIPTION	SUB	DATE	APPROVED
B	Change GOST to EAC	QA	09/05/2018	QA
A	Initial Release	fclif	06/06/2018	QA

### POWER SUPPLY INFORMATION

TYPE	Wall Plug-in+Desktop Combination
TECHNOLOGY	Li-Ion Battery Charger
CASE COLOR	GlobTek Black
NAMEPLATE RATED INPUT	100-240V~, 50-60 Hz, 1.5A
INPUT CONFIG	IEC 60320/C8 w/ Wall Blades Option
WATTS	12.60
VOLTS OUT	12.6
CURRENT OUT (Amps)	1.0
BLADE/CORD INCLUDED	None (Order Separately)
BLADE/CORD INSTALLED	None Installed :Packaged with Power Supply in box
INGRESS PROTECTION	Indoor Use
GROUNDING CONFIGURATION	(F1) Class II / Double Insulated
EFFICIENCY LEVEL	N/A
OUTPUT CONFIGURATION	1830 mm, 18/1C + Shield Cond, UL 1185, T-plug system (includes 5.5x2.5, 5.5x2.1, 3.5x1.3mm plugs in each kit), Ferrite: Core Size: 14.2*28.5*8.2, GlobTek Black, GT Cord # C21500
OVERMOLDED	Yes
OUTPUT CONNECTOR GENDER	not applicable
CONNECTOR PIN OUT	Polarity Configuration T00 All plugs are Medical Grade, Locking, Polarized once installed, and single use only. Product demonstration link: <a href="https://en.globtek.com/news/t00-changeable-output-plug-system-for-power-supplies">https://en.globtek.com/news/t00-changeable-output-plug-system-for-power-supplies</a> MOLDED CONNECTORS AVAILABLE
LABEL SPECS	Standard GT,L-1186
SPECIAL BARCODE LABEL MATERIAL	No
PACK SPEC	Packing for DT plug model with T00 plug and manual
USER MANUAL	809-DESKTOPUSERMANUAL on A4 paper

#### PROPRIETARY INFORMATION

<p>GlobTek, Inc. www.globtek.com 186 Veterans Drive, Northvale, NJ 07647 Tel. (201) 784-1000 Fax (201) 784-0111</p>	<p>Drawing Title: GTM91128LI3CEL, ICT / ITE / Medical Power Supply, Efficiency Level: N/A, Case Color/Style: GlobTek Black, Wall Plug-in+Desktop Combination, Li-Ion Battery Charger, Input Rating: 100-240V~, 50-60 Hz, IEC 60320/C8 w/ Wall Blades Option , Output Rating: 12.6W, 12.6V@1.0A, Output Configuration: 1830 mm, 18/1C + Shield Cond, UL 1185, T-plug system (includes 5.5x2.5, 5.5x2.1, 3.5x1.3mm plugs in each kit), Ferrite: Core Size: 14.2*28.5*8.2, GlobTek Black, GT Cord # C21500, Pin Out: Polarity Configuration T00 All plugs are Medical Grade, Locking, Polarized once installed, and single use only. Product demonstration link: <a href="https://en.globtek.com/news/t00-changeable-output-plug-system-for-power-supplies">https://en.globtek.com/news/t00-changeable-output-plug-system-for-power-supplies</a> MOLDED CONNECTORS AVAILABLE, Blades/Input Cord: (Order Separately), Approvals: CB 60950; ETL; EAC; SIQ 61558; SIQ; SIQ; SIQ; S-Mark 60950; cRUus (up to 30V); cRUus; S-Mark IEC/EN 60601-1; S-Mark 62368; UKCA; CE; RoHS; China RoHS; WEEE; PSE; Ukraine; Double Insulation; ETL; CB 60335; Book 60601; VCCI; IP54;</p>
	<p>Model No. GTM91128LI3CEL</p>
	<p>Part No./Ordering No. GTM91128LI3C1000T00</p>
	<p>Rev B</p>

Notes/Modifications/Customizations (notes in this section supersede the values shown in the standard spec)  
DIMENSIONS ARE IN MM UNLESS SPECIFIED OTHERWISE

GlobTek, Inc. www.globtek.com 186 Veterans Drive, Northvale, NJ 07647 Tel. (201) 784-1000 Fax (201) 784-0111	Drawing Title: GTM91128LI3CEL, ICT / ITE / Medical Power Supply, Efficiency Level: N/A, Case Color/Style: GlobTek Black, Wall Plug-in+Desktop Combination, Li-Ion Battery Charger, Input Rating: 100-240V~, 50-60 Hz, IEC 60320/C8 w/ Wall Blades Option , Output Rating: 12.6W, 12.6V@1.0A, Output Configuration: 1830 mm, 18/1C + Shield Cond, UL 1185, T-plug system (includes 5.5x2.5, 5.5x2.1, 3.5x1.3mm plugs in each kit), Ferrite: Core Size: 14.2*28.5*8.2, GlobTek Black, GT Cord # C21500, Pin Out: Polarity Configuration T00 All plugs are Medical Grade, Locking, Polarized once installed, and single use only. Product demonstration link: <a href="https://en.globtek.com/news/t00-changeable-output-plug-system-for-power-supplies">https://en.globtek.com/news/t00-changeable-output-plug-system-for-power-supplies</a> MOLDED CONNECTORS AVAILABLE, Blades/Input Cord: (Order Separately), Approvals: CB 60950; ETL; EAC; SIQ 61558; SIQ; SIQ; SIQ; S-Mark 60950; cRUus (up to 30V); cRUus; S-Mark IEC/EN 60601-1; S-Mark 62368; UKCA; CE; RoHS; China RoHS; WEEE; PSE; Ukraine; Double Insulation; ETL; CB 60335; Book 60601; VCCI; IP54;	
	Model No. GTM91128LI3CEL	
	Part No./Ordering No. GTM91128LI3C1000T00	Rev B

## ELECTRICAL SPECIFICATIONS

### A) ELECTRICAL SPECIFICATIONS

Input Voltage: Specified 90-264 Vac, Nameplate rated: 100-240Vac

Input Frequency: Specified 47-63 Hz, Nameplate rated 50-60Hz

Input Current: < 1.5A RMS Max

01. Pre-Charge Current: 10% of bulk charge current (typical)

02. Bulk Charge Current: see table for nominal value,  $\pm 10\%$  max variance

03. Full Charge Voltage: 1 cell: 4.2Vdc; 2 cell: 8.4Vdc, 3 cell: 12.6Vdc,  $\pm 1\%$  Max Variance

04. Charge Termination Current: 10% of bulk charge current (typical)

05. Pre-Charge to Bulk Charge Battery Transition Voltage: 1 cell: 2.86Vdc to 3.15Vdc, 2 cell: 5.72Vdc to 6.30Vdc; 3 cell: 8.58Vdc to 9.45Vdc Charger will be in pre-charge mode when the battery voltage is below the transition voltage.

06. Battery Charging Ambient Temperature: 0°C to 35°C

07. Back-Up Charge Termination Timer: 3 hours standard. Timer may be set to 3 to 12 hours range for batteries with high Ahr capacity by GT engineering. Charger will terminate charging when timer expired. Please advise Sales dept of you battery Ahr capacity.

08. LED Charge Status Indicator

a. Pre-Charge: Solid Amber

b. Bulk Charge: Solid Amber

c. Charge Complete: Solid Green

d. No battery or Fault: Green and Amber LED off

### B) ENERGY EFFICIENCY PERFORMANCE

01. CEC Compliant, to Battery Charger Requirements, with up to 10Ahr battery

02. DOE Compliant, to Battery Charger Requirements, with up to 10Ahr battery

### C) PROTECTION MODES\*

01. Over Voltage Protection: 1 cell: 4.6Vdc - 5.0Vdc, 2 cell: 9.2Vdc - 10.0Vdc; 3 cell: 13.8Vdc - 15.0Vdc Charger will terminate charging when over voltage occurs

02. Short Circuit Protection: Charger will not commence charging when BAT+ and BAT- are shorted

03. Over Temperature Protection: Charger will terminate charging if battery temperature reached  $45^{\circ}\text{C} \pm 3^{\circ}\text{C}$ . Charger will autorecover when temperature drops to about  $30^{\circ}\text{C} \pm 3^{\circ}\text{C}$ . For this feature, 10Kohm thermistor (NTC, 103AT) is required to be installed inside the battery pack. For battery packs without the thermistor, over temperature protection feature is not available and a 10K Ohm resistor is installed inside the charger to bypass the over temperature protection circuit.

04. Reverse Battery Protection: Battery should be mechanically protected from being installed reversed

05. Defective Battery Protection: If battery voltage will not rise above the pre-charge to bulk charge transition voltage (2.86Vdc to 3.15Vdc) within 30 minutes from the time pre-charging begins, the battery is considered defective and the charger will terminate charging.

\*When fault condition occurs, the battery has to be removed from the charger and reinstalled after at least 3 seconds to reset the protection. Charging will commence after battery reinstallation only when the fault is cleared.

### D) SAFETY

1. IEC 60950-1, IEC 60601-1, IEC 60335-1, IEC 61558-1.

2. Dielectric Withstand Voltage: 5656 Vdc from primary to secondary

#### PROPRIETARY INFORMATION

PROPRIETARY OF GLOBTEK, INC. ANY REPRODUCTION, DISCLOSURE OR USE OF THIS DRAWING, IN WHOLE OR IN PART, IS HEREBY PROHIBITED EXCEPT AS SPECIFIED IN WRITING BY GLOBTEK, INC. © GlobTek, Inc. 2018 - 2023

quest / 08/06/2023 6:41:31 PM GMT CLONED FROM GTM91128LI3C1000ZFX9

<p>GlobTek, Inc. www.globtek.com 186 Veterans Drive, Northvale, NJ 07647 Tel. (201) 784-1000 Fax (201) 784-0111</p>	<p>Drawing Title: GTM91128LI3CEL, ICT / ITE / Medical Power Supply, Efficiency Level: N/A, Case Color/Style: GlobTek Black, Wall Plug-in+Desktop Combination, Li-Ion Battery Charger, Input Rating: 100-240V~, 50-60 Hz, IEC 60320/C8 w/ Wall Blades Option , Output Rating: 12.6W, 12.6V@1.0A, Output Configuration: 1830 mm, 18/1C + Shield Cond, UL 1185, T-plug system (includes 5.5x2.5, 5.5x2.1, 3.5x1.3mm plugs in each kit), Ferrite: Core Size: 14.2*28.5*8.2, GlobTek Black, GT Cord # C21500, Pin Out: Polarity Configuration T00 All plugs are Medical Grade, Locking, Polarized once installed, and single use only. Product demonstration link: <a href="https://en.globtek.com/news/t00-changeable-output-plug-system-for-power-supplies">https://en.globtek.com/news/t00-changeable-output-plug-system-for-power-supplies</a> MOLDED CONNECTORS AVAILABLE, Blades/Input Cord: (Order Separately), Approvals: CB 60950; ETL; EAC; SIQ 61558; SIQ; SIQ; SIQ; S-Mark 60950; cRUus (up to 30V); cRUus; S-Mark IEC/EN 60601-1; S-Mark 62368; UKCA; CE; RoHS; China RoHS; WEEE; PSE; Ukraine; Double Insulation; ETL; CB 60335; Book 60601; VCCI; IP54;</p>	
	<p>Model No. GTM91128LI3CEL</p>	
	<p>Part No./Ordering No. GTM91128LI3C1000T00</p>	<p>Rev B</p>

- 3. Earth Leakage Current: N/A for Class II units, there is no PE Ground pin, so Earth Leakage current is not measured
- 4. Touch Current: Maximum allowed values: 100uA NC(Normal condition) 500uA SFC(single fault condition)

E) OTHER:

- 01. MTBF: 300,000 Hours @ 25°C ambient temperature
- 02. Operating Temperature: 0°C to 35°C ambient temperature
- 03. Humidity: 0% to 90% relative humidity
- 04. Storage Temperature: -10°C to 70°C
- 05. Cooling: Convection

F) ENCLOSURE

- 01. Housing: High impact plastic, 94V0 polycarbonate, non-vented
- 02. Size: 53.47\*117.53\*36.6 +/-1.0 mm
- 03. Markings: Label and/or Pad Printed and/or Molded in the case
- 04. GREEN LED to indicate (see above electrical specifications)

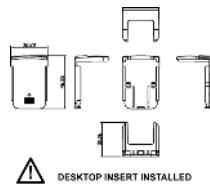
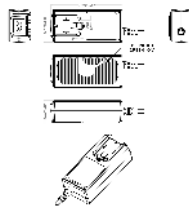
TO ADDRESS SYSTEM-LEVEL EMI CONCERNS, FERRITE CHOKES/BEADS MAY BE ADDED/REVISED UPON REQUEST. A SAMPLE KIT OF GLOBTEK'S STANDARD FERRITES IS AVAILABLE UNDER GLOBTEK P/N: EMI-MITIGATION-KIT1

FOR ADDITIONAL INFORMATION, PLEASE READ OUR WHITE PAPER AT: <https://r.globtek.info/3QeaqtD>

INGRESS PROTECTION: Indoor Use

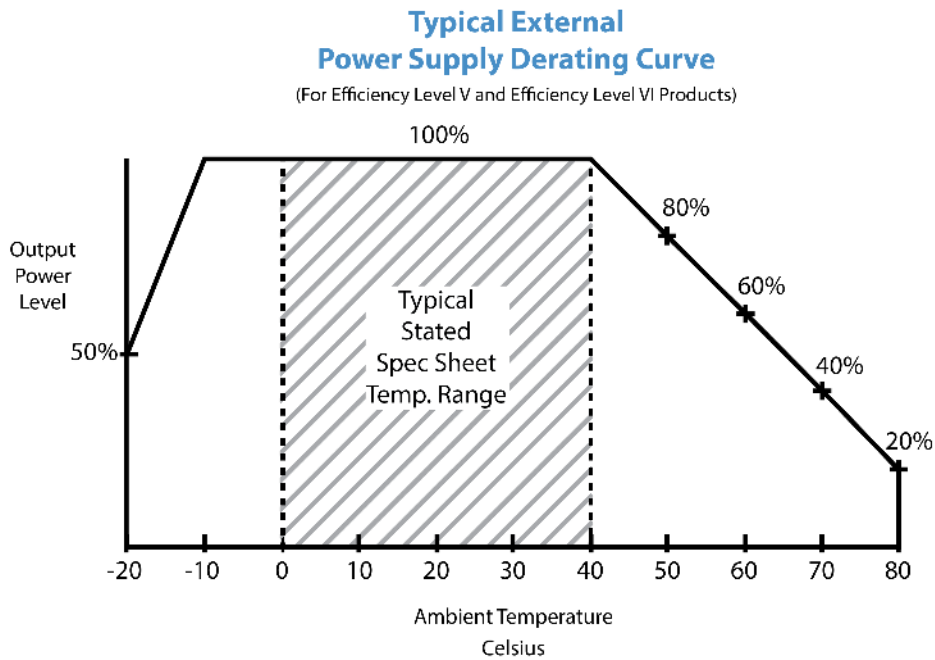
<p>GlobTek, Inc.  www.globtek.com  186 Veterans Drive,  Northvale, NJ 07647  Tel. (201) 784-1000  Fax (201) 784-0111</p>	<p>Drawing Title: GTM91128LI3CEL, ICT / ITE / Medical Power Supply, Efficiency Level: N/A, Case Color/Style: GlobTek Black, Wall Plug-in+Desktop Combination, Li-Ion Battery Charger, Input Rating: 100-240V~, 50-60 Hz, IEC 60320/C8 w/ Wall Blades Option , Output Rating: 12.6W, 12.6V@1.0A, Output Configuration: 1830 mm, 18/1C + Shield Cond, UL 1185, T-plug system (includes 5.5x2.5, 5.5x2.1, 3.5x1.3mm plugs in each kit), Ferrite: Core Size: 14.2*28.5*8.2, GlobTek Black, GT Cord # C21500, Pin Out: Polarity Configuration T00 All plugs are Medical Grade, Locking, Polarized once installed, and single use only. Product demonstration link: <a href="https://en.globtek.com/news/100-changeable-output-plug-system-for-power-supplies">https://en.globtek.com/news/100-changeable-output-plug-system-for-power-supplies</a> MOLDED CONNECTORS AVAILABLE, Blades/Input Cord: (Order Separately), Approvals: CB 60950; ETL; EAC; SIQ 61558; SIQ; SIQ; SIQ; S-Mark 60950; cRUus (up to 30V); cRUus; S-Mark IEC/EN 60601-1; S-Mark 62368; UKCA; CE; RoHS; China RoHS; WEEE; PSE; Ukraine; Double Insulation; ETL; CB 60335; Book 60601; VCCI; IP54;</p>
	<p>Model No. GTM91128LI3CEL</p>
	<p>Part No./Ordering No. GTM91128LI3C1000T00</p>
	<p>Rev B</p>

Mechanical drawing



<p>GlobTek, Inc. www.globtek.com 186 Veterans Drive, Northvale, NJ 07647 Tel. (201) 784-1000 Fax (201) 784-0111</p>	<p>Drawing Title: GTM91128LI3CEL, ICT / ITE / Medical Power Supply, Efficiency Level: N/A, Case Color/Style: GlobTek Black, Wall Plug-in+Desktop Combination, Li-Ion Battery Charger, Input Rating: 100-240V~, 50-60 Hz, IEC 60320/C8 w/ Wall Blades Option , Output Rating: 12.6W, 12.6V@1.0A, Output Configuration: 1830 mm, 18/1C + Shield Cond, UL 1185, T-plug system (includes 5.5x2.5, 5.5x2.1, 3.5x1.3mm plugs in each kit), Ferrite: Core Size: 14.2*28.5*8.2, GlobTek Black, GT Cord # C21500, Pin Out: Polarity Configuration T00 All plugs are Medical Grade, Locking, Polarized once installed, and single use only. Product demonstration link: <a href="https://en.globtek.com/news/t00-changeable-output-plug-system-for-power-supplies">https://en.globtek.com/news/t00-changeable-output-plug-system-for-power-supplies</a> MOLDED CONNECTORS AVAILABLE, Blades/Input Cord: (Order Separately), Approvals: CB 60950; ETL; EAC; SIQ 61558; SIQ; SIQ; SIQ; S-Mark 60950; cRUus (up to 30V); cRUus; S-Mark IEC/EN 60601-1; S-Mark 62368; UKCA; CE; RoHS; China RoHS; WEEE; PSE; Ukraine; Double Insulation; ETL; CB 60335; Book 60601; VCCI; IP54;</p>	
	<p>Model No. GTM91128LI3CEL</p>	
	<p>Part No./Ordering No. GTM91128LI3C1000T00</p>	<p>Rev B</p>

DERATING CURVE



GlobTek, Inc. www.globtek.com 186 Veterans Drive, Northvale, NJ 07647 Tel. (201) 784-1000 Fax (201) 784-0111	Drawing Title: GTM91128LI3CEL, ICT / ITE / Medical Power Supply, Efficiency Level: N/A, Case Color/Style: GlobTek Black, Wall Plug-in+Desktop Combination, Li-Ion Battery Charger, Input Rating: 100-240V~, 50-60 Hz, IEC 60320/C8 w/ Wall Blades Option , Output Rating: 12.6W, 12.6V@1.0A, Output Configuration: 1830 mm, 18/1C + Shield Cond, UL 1185, T-plug system (includes 5.5x2.5, 5.5x2.1, 3.5x1.3mm plugs in each kit), Ferrite: Core Size: 14.2*28.5*8.2, GlobTek Black, GT Cord # C21500, Pin Out: Polarity Configuration T00 All plugs are Medical Grade, Locking, Polarized once installed, and single use only. Product demonstration link: <a href="https://en.globtek.com/news/t00-changeable-output-plug-system-for-power-supplies">https://en.globtek.com/news/t00-changeable-output-plug-system-for-power-supplies</a> MOLDED CONNECTORS AVAILABLE, Blades/Input Cord: (Order Separately), Approvals: CB 60950; ETL; EAC; SIQ 61558; SIQ; SIQ; SIQ; S-Mark 60950; cRUus (up to 30V); cRUus; S-Mark IEC/EN 60601-1; S-Mark 62368; UKCA; CE; RoHS; China RoHS; WEEE; PSE; Ukraine; Double Insulation; ETL; CB 60335; Book 60601; VCCI; IP54;	
	Model No. GTM91128LI3CEL	
	Part No./Ordering No. GTM91128LI3C1000T00	Rev B

**INPUT CONFIGURATION**

(F1) Class II / Double Insulated



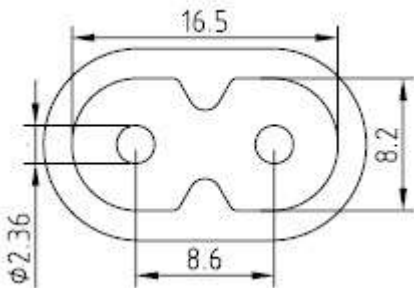
[Alternate grounding configurations](#) available upon request.

Blades/Cord Included:None:(Order Separately)

Blades/Cord Installed:None Installed:Packaged with Power Supply in box

IEC 60320/C8 AC Inlet connector

[Blade Insertion Instructions](#)  
[R-Blade Style Instruction Video](#)



Mates with IEC 60320/C8 Plug

This series of Interchangeable Blade products may be used with Proprietary Interchangeable Blades as described below or with standard international power cords.

Optional INPUT BLADES: R-Socket: below are available blades configurations which are "not included" (unless stated above); may be purchased separately, packaged with power supply, or as a separate "R-KIT" if specified

#	Part Number	Main Country/Region	Plug	IECEE Type
1	<a href="#">R-NA-2(R)</a>	North America, Japan	Nema 1-15P	Type A

**PROPRIETARY INFORMATION**

PROPRIETARY OF GLOBTEK, INC. ANY REPRODUCTION, DISCLOSURE OR USE OF THIS DRAWING, IN WHOLE OR IN PART, IS HEREBY PROHIBITED EXCEPT AS SPECIFIED IN

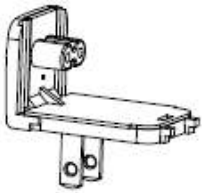
WRITING BY GLOBTEK, INC. © GlobTek, Inc. 2018 - 2023

quest / 08/06/2023 6:41:31 PM GMT CLONED FROM GTM91128LI3C1000ZFX9



GlobTek, Inc. www.globtek.com 186 Veterans Drive, Northvale, NJ 07647 Tel. (201) 784-1000 Fax (201) 784-0111	Drawing Title: GTM91128LI3CEL, ICT / ITE / Medical Power Supply, Efficiency Level: N/A, Case Color/Style: GlobTek Black, Wall Plug-in+Desktop Combination, Li-Ion Battery Charger, Input Rating: 100-240V~, 50-60 Hz, IEC 60320/C8 w/ Wall Blades Option, Output Rating: 12.6W, 12.6V@1.0A, Output Configuration: 1830 mm, 18/1C + Shield Cond, UL 1185, T-plug system (includes 5.5x2.5, 5.5x2.1, 3.5x1.3mm plugs in each kit), Ferrite: Core Size: 14.2*28.5*8.2, GlobTek Black, GT Cord # C21500, Pin Out: Polarity Configuration T00 All plugs are Medical Grade, Locking, Polarized once installed, and single use only. Product demonstration link: <a href="https://en.globtek.com/news/t00-changeable-output-plug-system-for-power-supplies">https://en.globtek.com/news/t00-changeable-output-plug-system-for-power-supplies</a> MOLDED CONNECTORS AVAILABLE, Blades/Input Cord: (Order Separately), Approvals: CB 60950; ETL; EAC; SIQ 61558; SIQ; SIQ; SIQ; S-Mark 60950; cRUus (up to 30V); cRUus; S-Mark IEC/EN 60601-1; S-Mark 62368; UKCA; CE; RoHS; China RoHS; WEEE; PSE; Ukraine; Double Insulation; ETL; CB 60335; Book 60601; VCCI; IP54;	
	Model No. GTM91128LI3CEL	
	Part No./Ordering No. GTM91128LI3C1000T00	Rev B

2 <a href="#">R-SAA-2(R)</a>	Australia/New Zealand	AS/NZ 3112	Type I
3 <a href="#">R-UK-2(R)</a>	United Kingdom/Ireland	UK, Hong Kong, Singapore, Gulf States	Type G
4 <a href="#">R-EU-2(R)</a>	Europe	CEE 7/16	Type C
5 <a href="#">R-CN-2(R)</a>	China	GB 2099	Type A
6 <a href="#">461-03030003(R)</a>	N/A	<a href="#">R-DI(R) Desktop Insert for use with a cord</a>	N/A
7 <a href="#">R-KIT-2(R)</a>	prepackaged kit	1,2,3,4 above	N/A
8 <a href="#">R-KIT-2-INTL(R)</a>	prepackaged kit	2,3,4 above	N/A



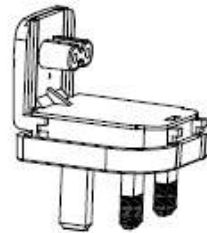
### UL 2P

P/N: R-NA-2(R)  
 NORTH AMERICA  
 JAPAN



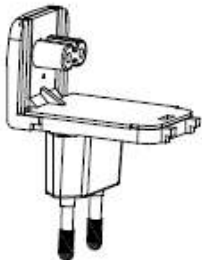
### AUS 2P

P/N: R-SAA-2(R)  
 AUSTRALIA



### UK 2P

P/N: R-UK-2(R)  
 UNITED KINGDOM  
 HONG KONG  
 SINGAPORE



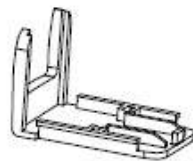
### EU 2P

P/N: R-EU-2(R)  
 EUROPE  
 SOUTH AMERICA



### CN 2P

P/N: R-CN-2(R)  
 CHINA



### R-DI

P/N: R-DI  
 DESKTOP INSERT

GloTek, Inc. www.globtek.com 186 Veterans Drive, Northvale, NJ 07647 Tel. (201) 784-1000 Fax (201) 784-0111	Drawing Title: GTM91128LI3CEL, ICT / ITE / Medical Power Supply, Efficiency Level: N/A, Case Color/Style: GlobTek Black, Wall Plug-in+Desktop Combination, Li-Ion Battery Charger, Input Rating: 100-240V~, 50-60 Hz, IEC 60320/C8 w/ Wall Blades Option , Output Rating: 12.6W, 12.6V@1.0A, Output Configuration: 1830 mm, 18/1C + Shield Cond, UL 1185, T-plug system (includes 5.5x2.5, 5.5x2.1, 3.5x1.3mm plugs in each kit), Ferrite: Core Size: 14.2*28.5*8.2, GlobTek Black, GT Cord # C21500, Pin Out: Polarity Configuration T00 All plugs are Medical Grade, Locking, Polarized once installed, and single use only. Product demonstration link: <a href="https://en.globtek.com/news/t00-changeable-output-plug-system-for-power-supplies">https://en.globtek.com/news/t00-changeable-output-plug-system-for-power-supplies</a> MOLDED CONNECTORS AVAILABLE, Blades/Input Cord: (Order Separately), Approvals: CB 60950; ETL; EAC; SIQ 61558; SIQ; SIQ; SIQ; S-Mark 60950; cRUus (up to 30V); cRUus; S-Mark IEC/EN 60601-1; S-Mark 62368; UKCA; CE; RoHS; China RoHS; WEEE; PSE; Ukraine; Double Insulation; ETL; CB 60335; Book 60601; VCCI; IP54;	
	Model No. GTM91128LI3CEL	
	Part No./Ordering No. GTM91128LI3C1000T00	Rev B

#### Standard Cordsets

Below are standard cordsets which are "not included" (unless stated above); these may be purchased separately or packaged with the power supply. Contact your Sales Engineer if the style required is not shown below. Many more available in different lengths, colors or cable material.

#### Standard International IEC 320/C7 Cordsets

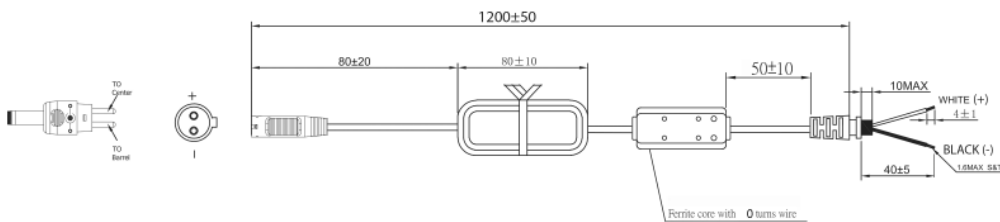
Part Number	Country	Plug	Connector	Length (mm)	Length (feet)
<a href="#">2094112M703(R)</a>	Argentina (Type I)	IRAM 2063	IEC 320/C7	2000	7
<a href="#">5014112M703A(R)</a>	Australian (Type I)	AS 3112	IEC 320/C7	2000	7
<a href="#">207B4111M8703(R)</a>	Brazil (Type N)	NBR14136	IEC 320/C7	1800	6
<a href="#">4533501M8703(R)</a>	China (Type A)	GB 2099.1	IEC 320/C7	1830	6
<a href="#">2074112M703A(R)</a>	European (Type C)	CEE 7/16	IEC 320/C7	2000	7
<a href="#">2084111M8703(R)</a>	South Africa (Type M)	BS 546	IEC 320/C7	1800	6
2084111M8703B(R)	India (Type D)	ISI:1293	IEC 320/C7	1800	6
<a href="#">2714111M8703A(R)</a>	India (Type C)	ISI:1293	IEC 320/C7	1800	6
<a href="#">451J3401M8703(R)</a>	Japan (Type A)	JIS 8303	IEC 320/C7	1830	6
<a href="#">2044112M703A(R)</a>	Korea (Type C)	KS C8305	IEC 320/C7	2000	7
<a href="#">4511116F703A(R)</a>	N. American (Type A)	NEMA 1-15P	IEC 320/C7	1830	6
<a href="#">4033401M8703A(R)</a>	Taiwan (Type A)	CNS690	IEC 320/C7	1830	6
<a href="#">6104112M703A(R)</a>	UK, Hong Kong, Singapore, Gulf States (Type G)	BS1363	IEC 320/C7	2000	7

GlobTek, Inc. www.globtek.com 186 Veterans Drive, Northvale, NJ 07647 Tel. (201) 784-1000 Fax (201) 784-0111	Drawing Title: GTM91128LI3CEL, ICT / ITE / Medical Power Supply, Efficiency Level: N/A, Case Color/Style: GlobTek Black, Wall Plug-in+Desktop Combination, Li-Ion Battery Charger, Input Rating: 100-240V~, 50-60 Hz, IEC 60320/C8 w/ Wall Blades Option , Output Rating: 12.6W, 12.6V@1.0A, Output Configuration: 1830 mm, 18/1C + Shield Cond, UL 1185, T-plug system (includes 5.5x2.5, 5.5x2.1, 3.5x1.3mm plugs in each kit), Ferrite: Core Size: 14.2*28.5*8.2, GlobTek Black, GT Cord # C21500, Pin Out: Polarity Configuration T00 All plugs are Medical Grade, Locking, Polarized once installed, and single use only. Product demonstration link: <a href="https://en.globtek.com/news/t00-changeable-output-plug-system-for-power-supplies">https://en.globtek.com/news/t00-changeable-output-plug-system-for-power-supplies</a> MOLDED CONNECTORS AVAILABLE, Blades/Input Cord: (Order Separately), Approvals: CB 60950; ETL; EAC; SIQ 61558; SIQ; SIQ; SIQ; S-Mark 60950; cRUus (up to 30V); cRUus; S-Mark IEC/EN 60601-1; S-Mark 62368; UKCA; CE; RoHS; China RoHS; WEEE; PSE; Ukraine; Double Insulation; ETL; CB 60335; Book 60601; VCCI; IP54;	
	Model No. GTM91128LI3CEL	
	Part No./Ordering No. GTM91128LI3C1000T00	Rev B

**OUTPUT CORD AND CONNECTOR: T00/C21500**

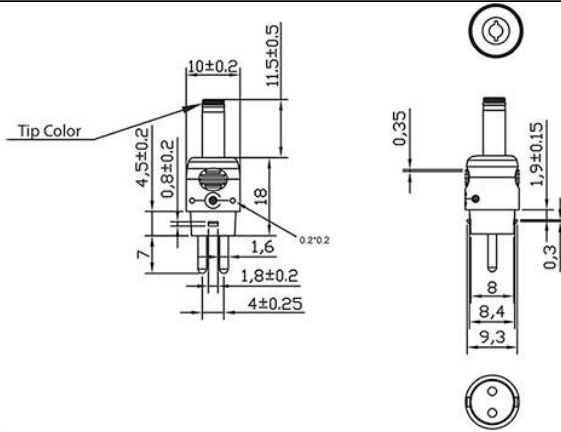
ACTUAL CONNECTORS, OVERMOLDS, FERRITES MAY VARY SLIGHTLY FROM THE PICTURE BELOW

CABLE TYPE	UL 1185
CABLE LENGTH (mm)	1830
CABLE TOLERANCE (mm)	± 150 - 0
WIRE GAUGE (AWG)	18
CONDUCTORS	1C + Shield
HANK DIMENSION (mm)	80 ± 10
CABLE / CONNECTOR OVERMOLD COLOR	GlobTek Black
FERRITE TYPE AND DIMENSION	Core Size: 14.2*28.5*8.2
FERRITE NUMBER OF TURNS <a href="#">(Definition)</a>	1 Pass thru core (0 turns)
FERRITE DIMENSION FROM STRAIN RELIEF	50±10
FERRITE DIMENSION FROM PLUG	N/A
PLUG TYPE	T-plug system (includes 5.5x2.5, 5.5x2.1, 3.5x1.3mm plugs in each kit)
OUTPUT CONNECTOR GENDER	not applicable
OVERMOLDED	Yes
OVER MOLD ORIENTATION	Straight
CONNECTOR PIN OUT	Polarity Configuration T00 All plugs are Medical Grade, Locking, Polarized once installed, and single use only. Product demonstration link: <a href="https://en.globtek.com/news/t00-changeable-output-plug-system-for-power-supplies">https://en.globtek.com/news/t00-changeable-output-plug-system-for-power-supplies</a> MOLDED CONNECTORS AVAILABLE



Contact impedance: 30 mΩ max  
Insulation resistance: 100 MΩ min, 500V DC  
Withstanding Voltage: 500V AC for one minute  
Operating temperature: -20°C to 50°C  
Fire rating: VW-1

<p>GlobTek, Inc. www.globtek.com 186 Veterans Drive, Northvale, NJ 07647 Tel. (201) 784-1000 Fax (201) 784-0111</p>	<p>Drawing Title: GTM91128LI3CEL, ICT / ITE / Medical Power Supply, Efficiency Level: N/A, Case Color/Style: GlobTek Black, Wall Plug-in+Desktop Combination, Li-Ion Battery Charger, Input Rating: 100-240V~, 50-60 Hz, IEC 60320/C8 w/ Wall Blades Option , Output Rating: 12.6W, 12.6V@1.0A, Output Configuration: 1830 mm, 18/1C + Shield Cond, UL 1185, T-plug system (includes 5.5x2.5, 5.5x2.1, 3.5x1.3mm plugs in each kit), Ferrite: Core Size: 14.2*28.5*8.2, GlobTek Black, GT Cord # C21500, Pin Out: Polarity Configuration T00 All plugs are Medical Grade, Locking, Polarized once installed, and single use only. Product demonstration link: <a href="https://en.globtek.com/news/t00-changeable-output-plug-system-for-power-supplies">https://en.globtek.com/news/t00-changeable-output-plug-system-for-power-supplies</a> MOLDED CONNECTORS AVAILABLE, Blades/Input Cord: (Order Separately), Approvals: CB 60950; ETL; EAC; SIQ 61558; SIQ; SIQ; SIQ; S-Mark 60950; cRUus (up to 30V); cRUus; S-Mark IEC/EN 60601-1; S-Mark 62368; UKCA; CE; RoHS; China RoHS; WEEE; PSE; Ukraine; Double Insulation; ETL; CB 60335; Book 60601; VCCI; IP54;</p>	<p>Rev B</p>
<p>Model No. GTM91128LI3CEL</p>		
<p>Part No./Ordering No. GTM91128LI3C1000T00</p>		



Option upon request: STRAIGHT Female Barrels are available for special order in any length between 9mm-14mm

This novel system allows for rapid shipment of prototype samples or small quantities of common output voltage and current which can fulfill the needs of most common barrel plug as well as male plug specs. The table explains the standard and non-standard options available as part of this system. This system also allows for both Center Positive and Center Negative polarity.

The T00 plug and adapters are Medical Grade, single use only, Polarized after installation, and not removable without use of special tool.

Please [click here](#) and review [usage guidance](#) below before use.

Any of the below options, and more, are available as molded plugs from stock or special order. Please contact GlobTek for more information

ADDITIONAL OUTPUT PLUG OPTIONS ARE AVAILABLE AT <https://www.globtek.com/connectors/>  
STANDARD PLUGS AND CONNECTORS CAN BE SEEN ONLINE AT <https://www.globtek.com/connectors/>  
CALCULATE VOLTAGE REGULATION/DROP WITH OUR ONLINE CALCULATOR: <https://en.globtek.com/output-cable-regulation-calculator/>

GlobTek, Inc. www.globtek.com 186 Veterans Drive, Northvale, NJ 07647 Tel. (201) 784-1000 Fax (201) 784-0111	Drawing Title: GTM91128LI3CEL, ICT / ITE / Medical Power Supply, Efficiency Level: N/A, Case Color/Style: GlobTek Black, Wall Plug-in+Desktop Combination, Li-Ion Battery Charger, Input Rating: 100-240V~, 50-60 Hz, IEC 60320/C8 w/ Wall Blades Option , Output Rating: 12.6W, 12.6V@1.0A, Output Configuration: 1830 mm, 18/1C + Shield Cond, UL 1185, T-plug system (includes 5.5x2.5, 5.5x2.1, 3.5x1.3mm plugs in each kit), Ferrite: Core Size: 14.2*28.5*8.2, GlobTek Black, GT Cord # C21500, Pin Out: Polarity Configuration T00 All plugs are Medical Grade, Locking, Polarized once installed, and single use only. Product demonstration link: <a href="https://en.globtek.com/news/t00-changeable-output-plug-system-for-power-supplies">https://en.globtek.com/news/t00-changeable-output-plug-system-for-power-supplies</a> MOLDED CONNECTORS AVAILABLE, Blades/Input Cord: (Order Separately), Approvals: CB 60950; ETL; EAC; SIQ 61558; SIQ; SIQ; SIQ; S-Mark 60950; cRUus (up to 30V); cRUus; S-Mark IEC/EN 60601-1; S-Mark 62368; UKCA; CE; RoHS; China RoHS; WEEE; PSE; Ukraine; Double Insulation; ETL; CB 60335; Book 60601; VCCI; IP54;	
	Model No. GTM91128LI3CEL	
	Part No./Ordering No. GTM91128LI3C1000T00	Rev B

## OUTPUT CONNECTOR HOOK UP

TO ADDRESS SYSTEM-LEVEL EMI CONCERNS, FERRITE CHOKES/BEADS MAY BE ADDED/REVISED UPON REQUEST. A SAMPLE KIT OF GLOBTEK'S STANDARD FERRITES IS AVAILABLE UNDER GLOBTEK P/N: EMI-MITIGATION-KIT1

FOR ADDITIONAL INFORMATION, PLEASE READ OUR WHITE PAPER AT:

<https://en.globtek.com/technical-articles/ferrite-kit-radiated-emi-suppression-kit-for-globtek-power-supplies-cable-assemblies>

GlobTek, Inc. www.globtek.com 186 Veterans Drive, Northvale, NJ 07647 Tel. (201) 784-1000 Fax (201) 784-0111	Drawing Title: GTM91128LI3CEL, ICT / ITE / Medical Power Supply, Efficiency Level: N/A, Case Color/Style: GlobTek Black, Wall Plug-in+Desktop Combination, Li-Ion Battery Charger, Input Rating: 100-240V~, 50-60 Hz, IEC 60320/C8 w/ Wall Blades Option , Output Rating: 12.6W, 12.6V@1.0A, Output Configuration: 1830 mm, 18/1C + Shield Cond, UL 1185, T-plug system (includes 5.5x2.5, 5.5x2.1, 3.5x1.3mm plugs in each kit), Ferrite: Core Size: 14.2*28.5*8.2, GlobTek Black, GT Cord # C21500, Pin Out: Polarity Configuration T00 All plugs are Medical Grade, Locking, Polarized once installed, and single use only. Product demonstration link: <a href="https://en.globtek.com/news/t00-changeable-output-plug-system-for-power-supplies">https://en.globtek.com/news/t00-changeable-output-plug-system-for-power-supplies</a> MOLDED CONNECTORS AVAILABLE, Blades/Input Cord: (Order Separately), Approvals: CB 60950; ETL; EAC; SIQ 61558; SIQ; SIQ; SIQ; S-Mark 60950; cRUus (up to 30V); cRUus; S-Mark IEC/EN 60601-1; S-Mark 62368; UKCA; CE; RoHS; China RoHS; WEEE; PSE; Ukraine; Double Insulation; ETL; CB 60335; Book 60601; VCCI; IP54;
	Model No. GTM91128LI3CEL Part No./Ordering No. GTM91128LI3C1000T00

**LABEL:L-1186**

LABEL P/N	Standard GT
MATERIAL	Flat Thermal Transfer, Imprintable, Polyester Label and/or Pad Printed and/or Molded, and/or Laser Engraved in the case
BACKGROUND COLOR	Black if housing is Black, White or Silver if housing is White or Gray.
TEXT COLOR	White or Silver if label is Black Background for Black housing. Black if label is White or Silver background and Housing is White or Gray.
LABEL WIDTH (mm)	45.0
LABEL HEIGHT (mm)	50.0
SPECIAL BARCODE LABEL MATERIAL	No

Below is the minimum information which will appear on the label. NOTE: in the logo area additional/actual positioning of symbols and text is subjected to change as per agency updates/requirements or additional model approvals become available. Regulatory certifications/label markings may be in logo area on the label or molded into the case housing outside the label area. Information will be shown via label and/or pad printed and/or molded and/or laser engraved in the case. \* Date code markings at GlobTek option



or  
**DATE CODE B \*:**  
 WWYY  
 WW = WEEK  
 YY = YEAR

A=ICT / ITE / Medical Power Supply  
 B=P/N: (料号) GTM91128LI3C1000T00  
 C=Model (型号) GTM91128LI3CEL  
 D=Input (输入)100-240V~, 50-60 Hz, 1.5A  
 E=Output (输出)12.6 V 1.0 A, 12.60W

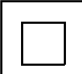

GlobTek, Inc. www.globtek.com 186 Veterans Drive, Northvale, NJ 07647 Tel. (201) 784-1000 Fax (201) 784-0111	Drawing Title: GTM91128LI3CEL, ICT / ITE / Medical Power Supply, Efficiency Level: N/A, Case Color/Style: GlobTek Black, Wall Plug-in+Desktop Combination, Li-Ion Battery Charger, Input Rating: 100-240V~, 50-60 Hz, IEC 60320/C8 w/ Wall Blades Option , Output Rating: 12.6W, 12.6V@1.0A, Output Configuration: 1830 mm, 18/1C + Shield Cond, UL 1185, T-plug system (includes 5.5x2.5, 5.5x2.1, 3.5x1.3mm plugs in each kit), Ferrite: Core Size: 14.2*28.5*8.2, GlobTek Black, GT Cord # C21500, Pin Out: Polarity Configuration T00 All plugs are Medical Grade, Locking, Polarized once installed, and single use only. Product demonstration link: <a href="https://en.globtek.com/news/t00-changeable-output-plug-system-for-power-supplies">https://en.globtek.com/news/t00-changeable-output-plug-system-for-power-supplies</a> MOLDED CONNECTORS AVAILABLE, Blades/Input Cord: (Order Separately), Approvals: CB 60950; ETL; EAC; SIQ 61558; SIQ; SIQ; SIQ; S-Mark 60950; cRUus (up to 30V); cRUus; S-Mark IEC/EN 60601-1; S-Mark 62368; UKCA; CE; RoHS; China RoHS; WEEE; PSE; Ukraine; Double Insulation; ETL; CB 60335; Book 60601; VCCI; IP54;	
	Model No. GTM91128LI3CEL	
	Part No./Ordering No. GTM91128LI3C1000T00	Rev B

AGENCY ONLINE DOCUMENTS	<a href="http://globtek.info/certs/GTM91128%20Lithium%20Ion%20Battery/">http://globtek.info/certs/GTM91128%20Lithium%20Ion%20Battery/</a>
CE EC-Declaration for Medical	<a href="#">Contact GlobTek for more information</a>
CE EC-Declaration for Industrial/Commercial/ITE	<a href="http://globtek.force.com/models/ec_declaration_product?id=01t0c000008Oq4x&amp;i=3">http://globtek.force.com/models/ec_declaration_product?id=01t0c000008Oq4x&amp;i=3</a>
CE EC-Declaration for Household	<a href="#">Contact GlobTek for more information</a>
UKCA-Declaration for Medical	<a href="#">Contact GlobTek for more information</a>
UKCA-Declaration for Industrial/Commercial/ITE	<a href="http://globtek.force.com/models/ukca_declaration_product?id=01t0c000008Oq4x&amp;i=3">http://globtek.force.com/models/ukca_declaration_product?id=01t0c000008Oq4x&amp;i=3</a>
UKCA-Declaration for Household	<a href="#">Contact GlobTek for more information</a>
Morocco SDoC Declaration	<a href="https://globtek.secure.force.com/models/Morocco_SDoC_Declaration?id=a0Oa000000C2KH4EAN">https://globtek.secure.force.com/models/Morocco_SDoC_Declaration?id=a0Oa000000C2KH4EAN</a>
RoHS/RoHS3 Declaration	<a href="https://www.globtek.com/pdf/rohs_cert/01t0c000008Oq4xAAC">https://www.globtek.com/pdf/rohs_cert/01t0c000008Oq4xAAC</a>
REACH Declaration	<a href="https://www.globtek.com/pdf/iso_certificates/REACH.pdf">https://www.globtek.com/pdf/iso_certificates/REACH.pdf</a>
Conflict Minerals Declaration	<a href="https://www.globtek.com/pdf/conflict-minerals.pdf">https://www.globtek.com/pdf/conflict-minerals.pdf</a>
Prop 65 Statement	<a href="https://en.globtek.com/prop-65-statement.pdf">https://en.globtek.com/prop-65-statement.pdf</a>
IPXY rating is based on 3rd party testing and customers should check suitability and test system level IPXY rating before ordering.	

## Regulatory Certifications/Label Markings

Below follows a link to the latest regulatory certifications and marks for this specific product. National standards as well as certification schemes are constantly changing and so is the set of certification marks and symbols applicable to this product. Various standards, marks and symbols, and certificates are subject to change at any time without notice.

Additional standards or unique country certifications are available upon request. Please contact Globtek to request a quotation.

LATEST PRODUCT/MODEL CERTIFICATIONS:	<a href="https://www.globtek.com/datasheet/w70754">https://www.globtek.com/datasheet/w70754</a>
AGENCY ONLINE DOCUMENTS	<a href="http://globtek.info/certs/GTM91128%20Lithium%20Ion%20Battery/">http://globtek.info/certs/GTM91128%20Lithium%20Ion%20Battery/</a>
	(F1) Class II / Double Insulated
	Polarity Configuration T00 All plugs are Medical Grade, Locking, Polarized once installed, and single use only. Product demonstration link: <a href="https://en.globtek.com/news/t00-changeable-output-plug-system-for-power-s">https://en.globtek.com/news/t00-changeable-output-plug-system-for-power-s</a>
	MOLDED CONNECTORS AVAILABLE

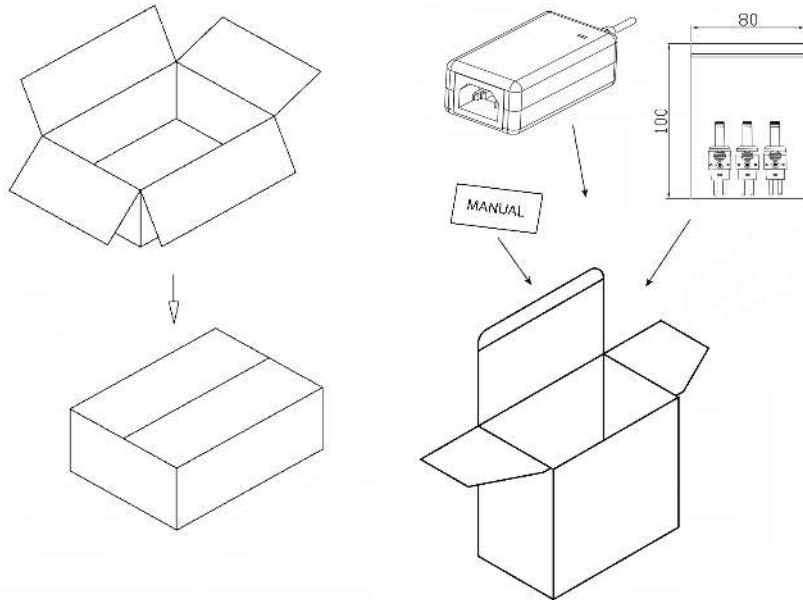
GlobTek, Inc. www.globtek.com 186 Veterans Drive, Northvale, NJ 07647 Tel. (201) 784-1000 Fax (201) 784-0111	Drawing Title: GTM91128LI3CEL, ICT / ITE / Medical Power Supply, Efficiency Level: N/A, Case Color/Style: GlobTek Black, Wall Plug-in+Desktop Combination, Li-Ion Battery Charger, Input Rating: 100-240V~, 50-60 Hz, IEC 60320/C8 w/ Wall Blades Option , Output Rating: 12.6W, 12.6V@1.0A, Output Configuration: 1830 mm, 18/1C + Shield Cond, UL 1185, T-plug system (includes 5.5x2.5, 5.5x2.1, 3.5x1.3mm plugs in each kit), Ferrite: Core Size: 14.2*28.5*8.2, GlobTek Black, GT Cord # C21500, Pin Out: Polarity Configuration T00 All plugs are Medical Grade, Locking, Polarized once installed, and single use only. Product demonstration link: <a href="https://en.globtek.com/news/t00-changeable-output-plug-system-for-power-supplies">https://en.globtek.com/news/t00-changeable-output-plug-system-for-power-supplies</a> MOLDED CONNECTORS AVAILABLE, Blades/Input Cord: (Order Separately), Approvals: CB 60950; ETL; EAC; SIQ 61558; SIQ; SIQ; SIQ; S-Mark 60950; cRUus (up to 30V); cRUus; S-Mark IEC/EN 60601-1; S-Mark 62368; UKCA; CE; RoHS; China RoHS; WEEE; PSE; Ukraine; Double Insulation; ETL; CB 60335; Book 60601; VCCI; IP54;	
	Model No. GTM91128LI3CEL	
	Part No./Ordering No. GTM91128LI3C1000T00	Rev B

## PACKAGING

Packing Spec P/N	Packing for DT plug model with T00 plug and manual
Box Qty	60
Gift Box Size (mm)	142*60*62
Gift Box Color	White
Master Carton Size (mm)	442 x 330 x 275
Master Carton Cubic Volume (m <sup>3</sup> )	0.04
Master GW (Kg)	15.2 kg
BLADES INCLUDED	None: (Order Separately)
BLADE/CORD INSTALLED	None Installed: Packaged with Power Supply in box
USER MANUAL*	809-DESKTOPUSERMANUAL on A4 paper
USER MANUAL WEB LINK	<a href="https://en.globtek.com/pdf/809-DESKTOPUSERMANUAL.jpg">https://en.globtek.com/pdf/809-DESKTOPUSERMANUAL.jpg</a>

\* This specification sheet is considered the user manual for all applications. It is expected that the buyer of this product will use it to formulate their own user manual for their end product and a user manual specifically for the power adapter is not usually required. If a user manual is not specifically listed above then none will be provided with this unit.

If specific packaging is required, this section must specify all requirements and note "no exceptions". If this section does not specify packaging, it is subject to change without notice at GlobTek's discretion



### PROPRIETARY INFORMATION



GlobTek, Inc.  
 www.globtek.com  
 186 Veterans Drive,  
 Northvale, NJ 07647  
 Tel. (201) 784-1000  
 Fax (201) 784-0111

Drawing Title: GTM91128LI3CEL, ICT / ITE / Medical Power Supply, Efficiency Level: N/A, Case Color/Style: GlobTek Black, Wall Plug-in+Desktop Combination, Li-Ion Battery Charger, Input Rating: 100-240V~, 50-60 Hz, IEC 60320/C8 w/ Wall Blades Option , Output Rating: 12.6W, 12.6V@1.0A, Output Configuration: 1830 mm, 18/1C + Shield Cond, UL 1185, T-plug system (includes 5.5x2.5, 5.5x2.1, 3.5x1.3mm plugs in each kit), Ferrite: Core Size: 14.2\*28.5\*8.2, GlobTek Black, GT Cord # C21500, Pin Out: Polarity Configuration T00 All plugs are Medical Grade, Locking, Polarized once installed, and single use only. Product demonstration link: <https://en.globtek.com/news/t00-changeable-output-plug-system-for-power-supplies> MOLDED CONNECTORS AVAILABLE, Blades/Input Cord: (Order Separately), Approvals: CB 60950; ETL; EAC; SIQ 61558; SIQ; SIQ; SIQ; S-Mark 60950; cRUus (up to 30V); cRUus; S-Mark IEC/EN 60601-1; S-Mark 62368; UKCA; CE; RoHS; China RoHS; WEEE; PSE; Ukraine; Double Insulation; ETL; CB 60335; Book 60601; VCCI; IP54;

Model No. GTM91128LI3CEL

Part No./Ordering No. GTM91128LI3C1000T00

Rev B

Manual for T00-plug:

**GlobTek, Inc.**  
 T-Tip Instructions  
 • Color of tip indicates dimensions of barrel  
 • Polarity is dependent on how tip is inserted in to T-base

PART NO	DIAMETER		LENGTH	TIP COLOR
	OUTER	INNER		
T-C-12-S(R)	5.5	2.1	12	YELLOW
T-L-12-S(R)	5.5	2.5	12	BLACK
T-K-11-S(R)	3.5	1.3	11	BLUE
T-EJ2-9S-S(R)	4.0	1.7	9.5	BROWN
T-EJ3-9S-S(R)	4.75	1.7	9.5	RED
T-EJ4-9S-S(R)	5.5	3.3	9.5	ORANGE
T-EI1-9S-S(R)	2.35	0.7	9.5	YELLOW
T-EI5-11S-S(R)	6.5	6.0	11.5	BLACK
T-P-S-STER-14(R)	3.5	-	14	-
T-P-S-MONO-14(R)	3.5	-	14	-
T-S-S-MONO-11(R)	2.5	-	11	-
T-S-S-STER-11(R)	2.5	-	11	-

80mm+0/-0.2

90mm+0/-0.2

Plugs can only be inserted one time

Molded options available upon request

90mm+0/-0.2

80mm+0/-0.2

字体/字号  
 Arial Bold/18pt

正面/SHEET A

反面/SHEET B

<p>GlobTek, Inc. www.globtek.com 186 Veterans Drive, Northvale, NJ 07647 Tel. (201) 784-1000 Fax (201) 784-0111</p>	<p>Drawing Title: GTM91128LI3CEL, ICT / ITE / Medical Power Supply, Efficiency Level: N/A, Case Color/Style: GlobTek Black, Wall Plug-in+Desktop Combination, Li-Ion Battery Charger, Input Rating: 100-240V~, 50-60 Hz, IEC 60320/C8 w/ Wall Blades Option , Output Rating: 12.6W, 12.6V@1.0A, Output Configuration: 1830 mm, 18/1C + Shield Cond, UL 1185, T-plug system (includes 5.5x2.5, 5.5x2.1, 3.5x1.3mm plugs in each kit), Ferrite: Core Size: 14.2*28.5*8.2, GlobTek Black, GT Cord # C21500, Pin Out: Polarity Configuration T00 All plugs are Medical Grade, Locking, Polarized once installed, and single use only. Product demonstration link: <a href="https://en.globtek.com/news/t00-changeable-output-plug-system-for-power-supplies">https://en.globtek.com/news/t00-changeable-output-plug-system-for-power-supplies</a> MOLDED CONNECTORS AVAILABLE, Blades/Input Cord: (Order Separately), Approvals: CB 60950; ETL; EAC; SIQ 61558; SIQ; SIQ; SIQ; S-Mark 60950; cRUus (up to 30V); cRUus; S-Mark IEC/EN 60601-1; S-Mark 62368; UKCA; CE; RoHS; China RoHS; WEEE; PSE; Ukraine; Double Insulation; ETL; CB 60335; Book 60601; VCCI; IP54;</p>
	<p>Model No. GTM91128LI3CEL</p>
	<p>Part No./Ordering No. GTM91128LI3C1000T00</p>
	<p>Rev B</p>

**INSTRUCTIONS TO THE OEM SYSTEMS ENGINEER**

It is the responsibility of the OEM systems engineer to provide the end system user instructions and warnings for the use of this product in the end system.

If an input cord is required for this product, AC Mains voltage should be provided to the power supply by a power supply cord approved to the national standards of the country in which it will be used.

This product is not designed to be repaired. No serviceable parts inside. A blown internal fuse is an indication of catastrophic failure of circuit component(s). If a Failure Analysis is required for a failed power supply/battery charger, please return the damaged unit to GlobTek for an accurate determination of the root cause of the failure.

EMC Compliance of the complete OEM product, including the GlobTek power supply/battery charger needs to be verified by the OEM systems engineer.

**INSTRUCTION SHEET**

N/A

<p>GlobTek, Inc.  www.globtek.com  186 Veterans Drive,  Northvale, NJ 07647  Tel. (201) 784-1000  Fax (201) 784-0111</p>	<p>Drawing Title: GTM91128LI3CEL, ICT / ITE / Medical Power Supply, Efficiency Level: N/A, Case Color/Style: GlobTek Black, Wall Plug-in+Desktop Combination, Li-Ion Battery Charger, Input Rating: 100-240V~, 50-60 Hz, IEC 60320/C8 w/ Wall Blades Option , Output Rating: 12.6W, 12.6V@1.0A, Output Configuration: 1830 mm, 18/1C + Shield Cond, UL 1185, T-plug system (includes 5.5x2.5, 5.5x2.1, 3.5x1.3mm plugs in each kit), Ferrite: Core Size: 14.2*28.5*8.2, GlobTek Black, GT Cord # C21500, Pin Out: Polarity Configuration T00 All plugs are Medical Grade, Locking, Polarized once installed, and single use only. Product demonstration link: <a href="https://en.globtek.com/news/t00-changeable-output-plug-system-for-power-supplies">https://en.globtek.com/news/t00-changeable-output-plug-system-for-power-supplies</a> MOLDED CONNECTORS AVAILABLE, Blades/Input Cord: (Order Separately), Approvals: CB 60950; ETL; EAC; SIQ 61558; SIQ; SIQ; SIQ; S-Mark 60950; cRUus (up to 30V); cRUus; S-Mark IEC/EN 60601-1; S-Mark 62368; UKCA; CE; RoHS; China RoHS; WEEE; PSE; Ukraine; Double Insulation; ETL; CB 60335; Book 60601; VCCI; IP54;</p>
	<p>Model No. GTM91128LI3CEL</p>
	<p>Part No./Ordering No. GTM91128LI3C1000T00 <span style="float: right;">Rev B</span></p>

