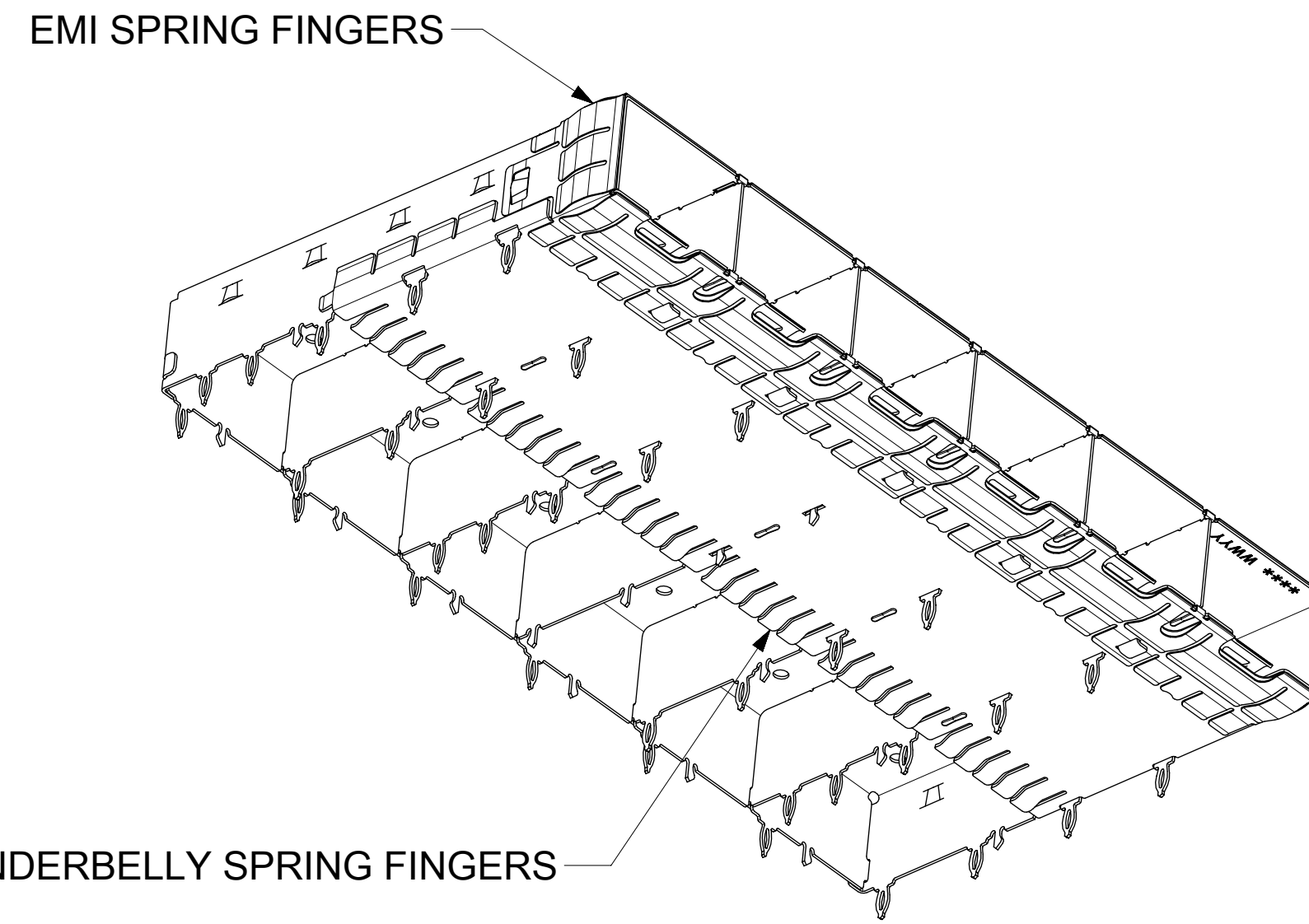
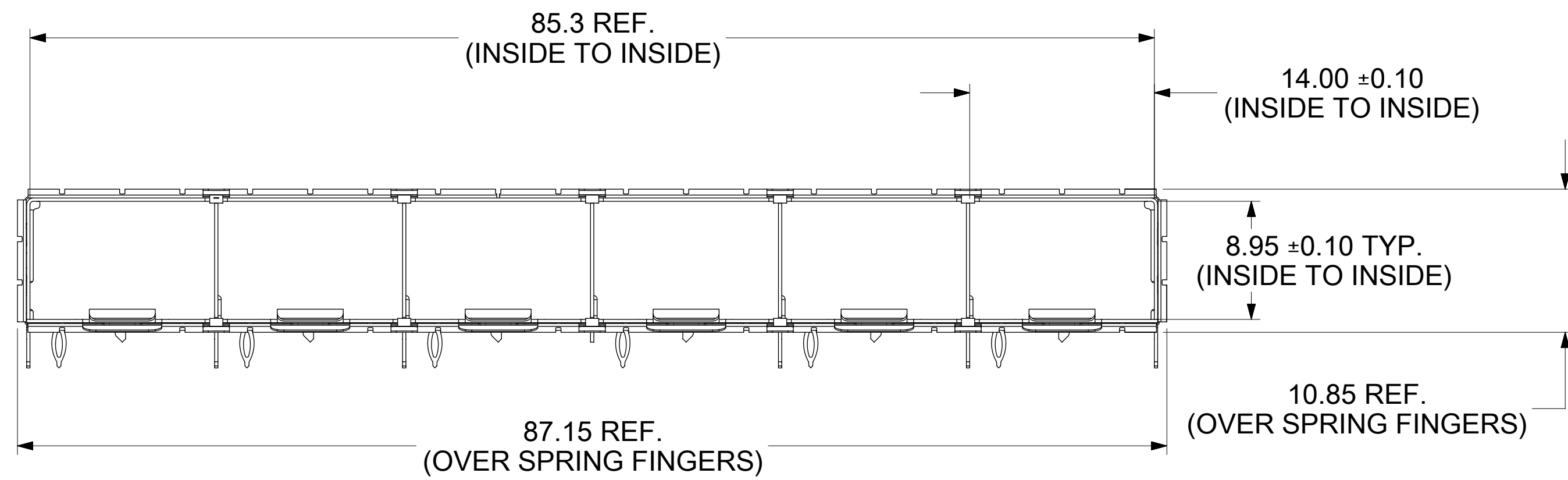
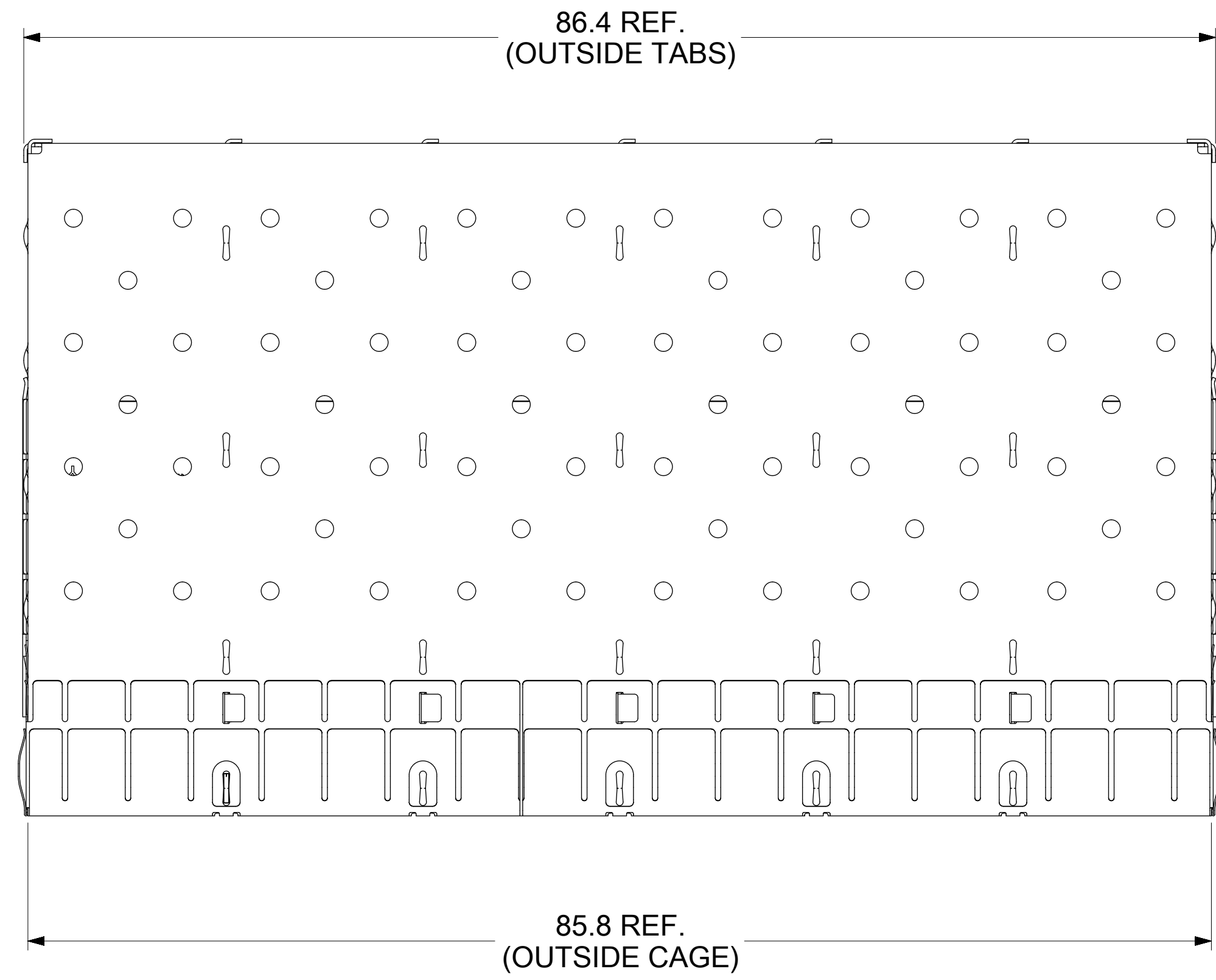
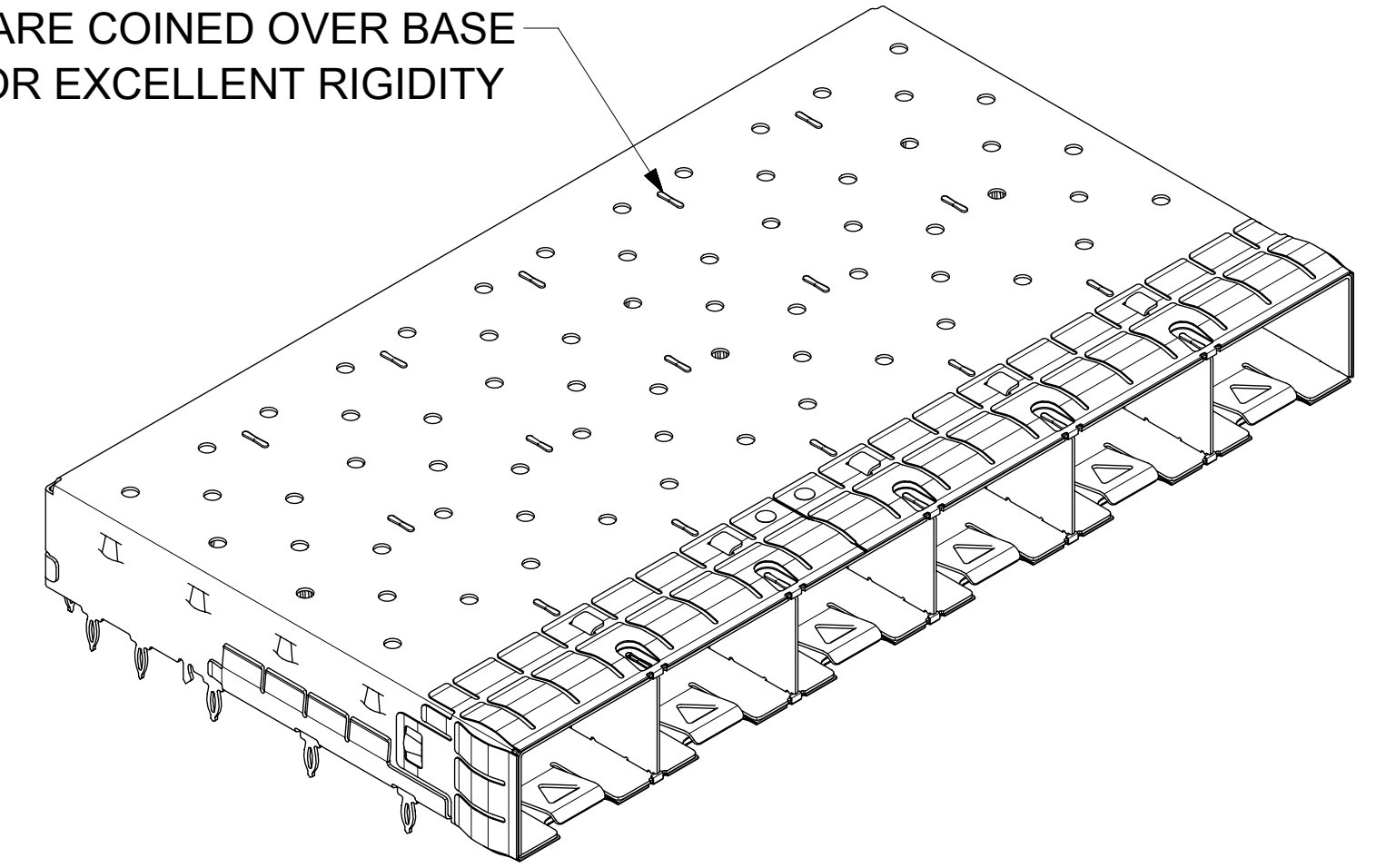


# COMMON DIMENSION

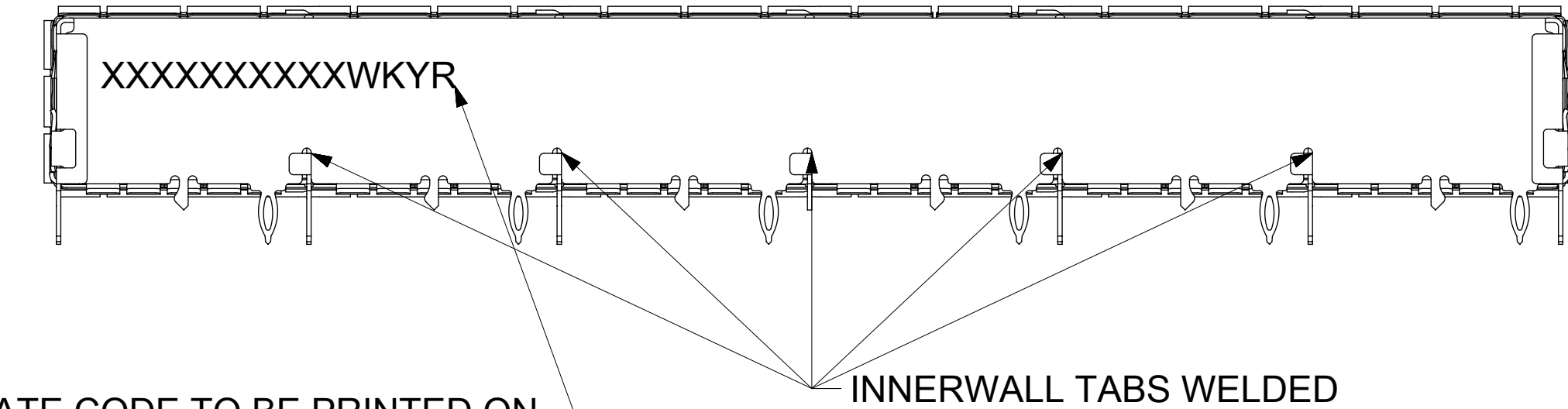
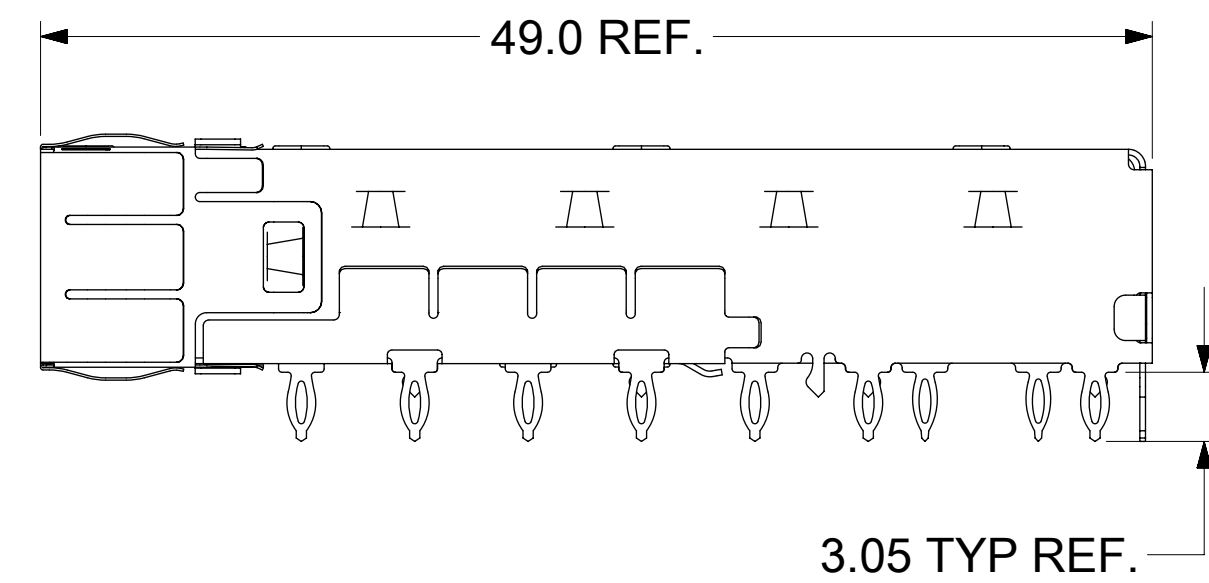
74754-8620  
SHOWN



INNER WALLS ARE COINED OVER BASE AND COVER FOR EXCELLENT RIGIDITY



SFP+ 1X6 CAGES PRESS FIT W/ SPRING FINGERS		
MOLEX P/N	DESCRIPTION	PLATING
747548620	SFP+ 1X6 CAGE PRESS FIT W/2 WELD POINT W/ 5 WELD REAR TABS	PRE-PLATED: NICKEL (1.27~3.81 μm)
747548688	SFP+ 1X6 CAGE PRESS FIT W/12 WELD POINT W/ 5 WELD REAR TABS	PRE-PLATED: NICKEL (1.27~3.81 μm)



PART NO. AND WEEK/YEAR DATE CODE TO BE PRINTED ON BACK OF CAGE APPROXIMATE AS SHOWN. SEE TABLE BELOW FOR DATE CODE INFORMATION.

WEEK / YEAR DATE CODE:	
WK	01 THRU 52 OR 53. EXAMPLE: 01 = FIRST WEEK OF YEAR 52 OR 53 = LAST WEEK OF YEAR.
YR	22, 23, 24, EXAMPLE: 2022=22

**NOTES:**

- MATERIAL:  
CAGE: COPPER ALLOY, THICKNESS 0.25mm.  
SPRING FINGER: STAINLESS STEEL.
- PRESS FIT LEGS 3.05 LONG -  
1.57 MINIMUM PCB THICKNESS FOR SINGLE SIDED USE.  
3.00 MINIMUM PCB THICKNESS FOR BELLY TO BELLY USE.
- OPTIONAL LIGHT PIPE ASSEMBLY AVAILABLE.
- WELD SPOTS MAY SHOW SLIGHT MATERIAL DISCOLORATION.
- PORTS ARE DESIGNED FOR SFP+ TRANSCEIVERS AND ARE COMPATIBLE WITH SFP TRANSCEIVERS.
- NO RoHS EXEMPTIONS.

<b>FUNCTIONAL SYMBOLS</b> FA = 0 FE = 0 FP = 0 <b>DIVISIONAL SYMBOLS</b>	THIS DRAWING CONTAINS INFORMATION THAT IS PROPRIETARY TO MOLEX ELECTRONIC TECHNOLOGIES, LLC AND SHOULD NOT BE USED WITHOUT WRITTEN PERMISSION		CURRENT REV DESC: SEE REVISION TABLE	
	DIMENSION UNITS: mm SCALE: 3:1	GENERAL TOLERANCES (UNLESS SPECIFIED)		
	ANGULAR TOL: ± °	EC NO: 706897 DRWN: PKH 2022/04/05 CHK'D: TKUMARKC 2022/05/18 APPR: SCHIEN 2022/05/19		
	4 PLACES ± 3 PLACES ± 2 PLACES ± 0.15 1 PLACE ± 0.25 0 PLACES ±	INITIAL REVISION: DRWN: PKH 2022/04/05 APPR: SCHIEN 2022/05/19		
DRAFT WHERE APPLICABLE MUST REMAIN WITHIN DIMENSIONS		THIRD ANGLE PROJECTION	DRAWING: D-SIZE	SERIES: 74754
DOCUMENT STATUS: P1 RELEASE DATE: 2022/05/19 07:40:30		MATERIAL NUMBER: SEE P/N TABLE CUSTOMER: GENERAL MARKET		SHEET NUMBER: 1 OF 6

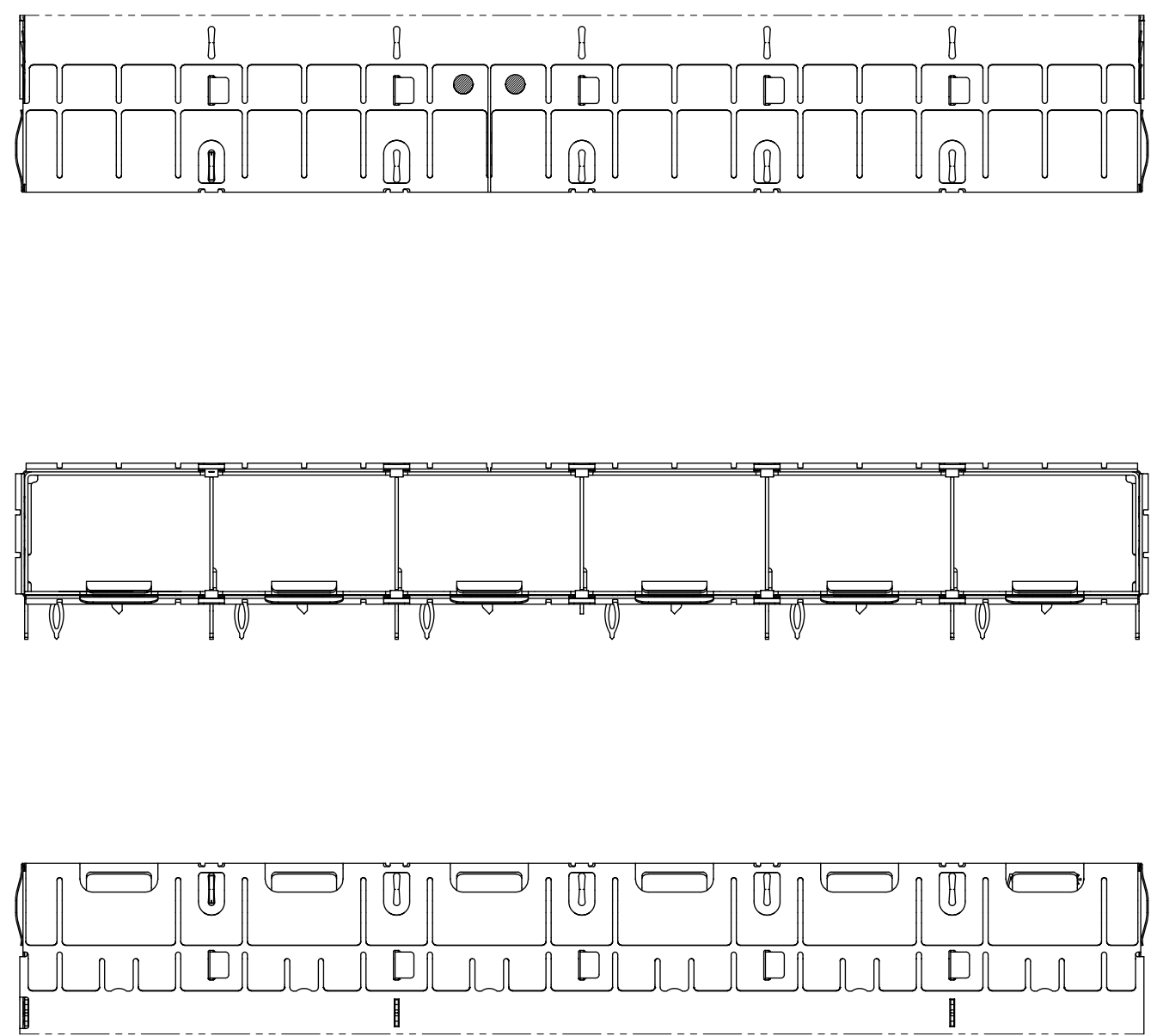
**molex**

SFP+ 1X6 CAGE, PRESS FIT W/ SUS EMI SPRING FINGER, BELLY TO BELLY MNTG

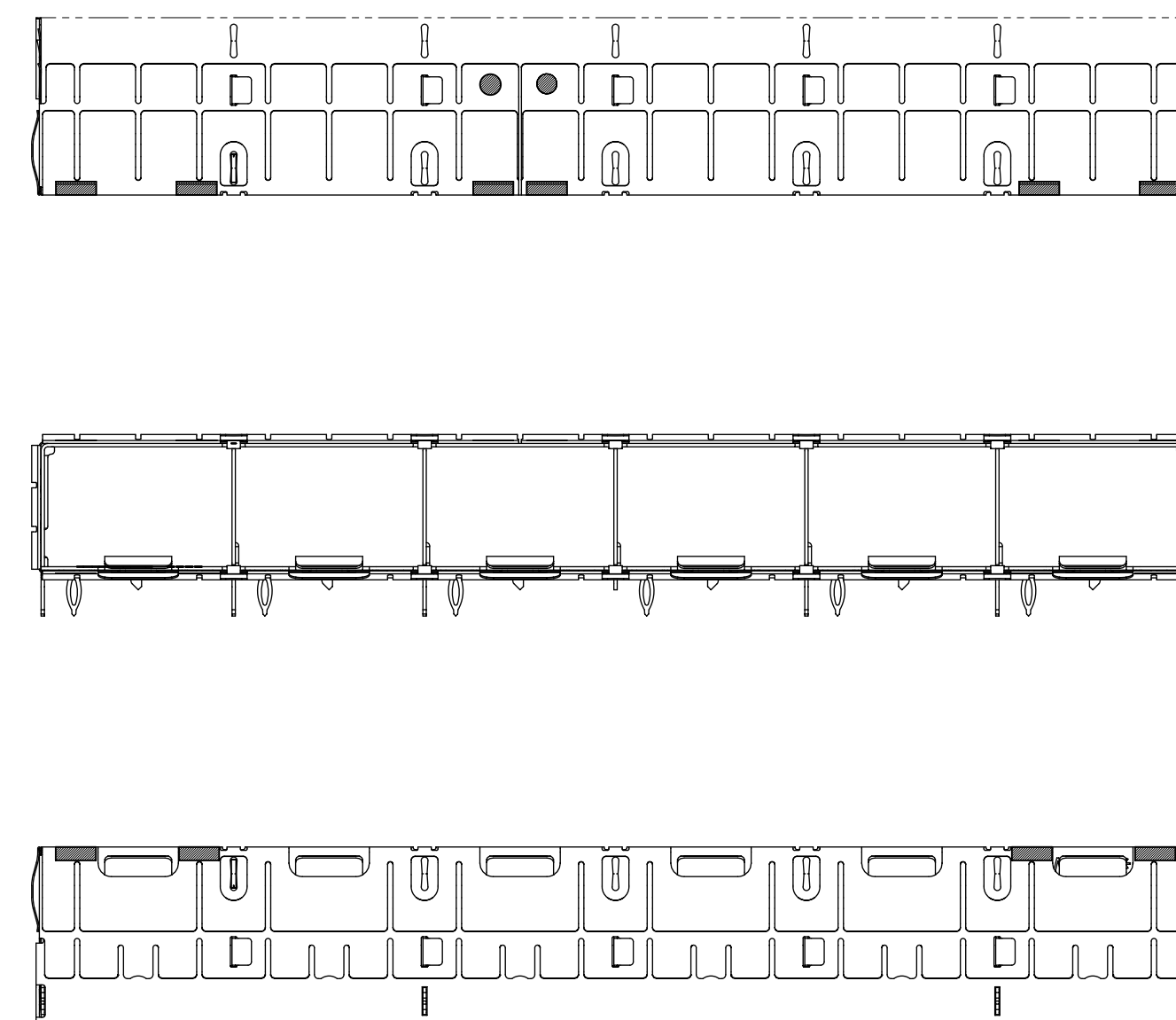
PRODUCT CUSTOMER DRAWING


DOCUMENT NUMBER: 747548620 DOC TYPE: PSD DOC PART: ASY REVISION: A

# WELD LOCATION FOR FRONT SPRING FINGER FOR 747548620



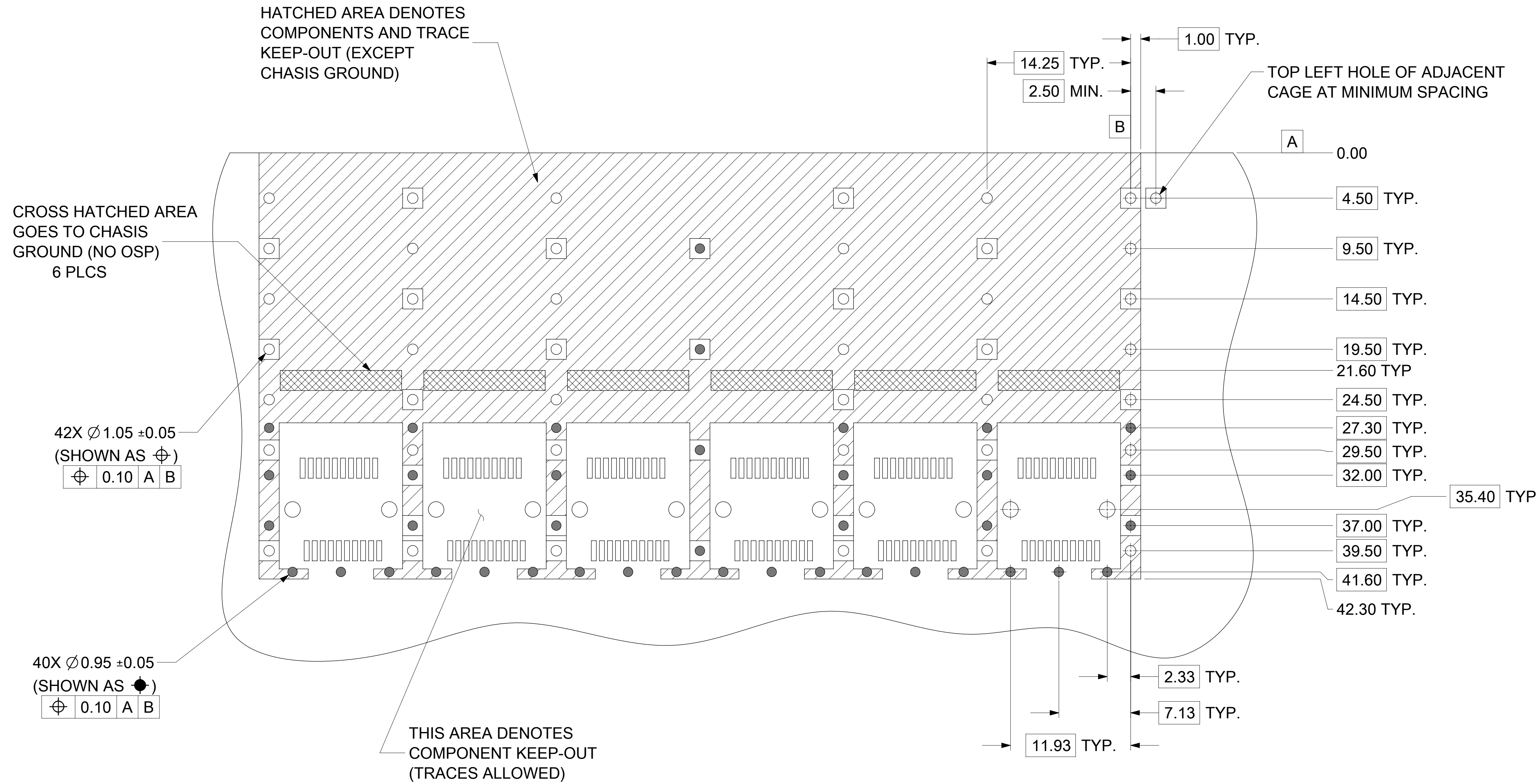
# WELD LOCATION FOR FRONT SPRING FINGER FOR 747548688



FUNCTIONAL SYMBOLS										THIS DRAWING CONTAINS INFORMATION THAT IS PROPRIETARY TO MOLEX ELECTRONIC TECHNOLOGIES, LLC AND SHOULD NOT BE USED WITHOUT WRITTEN PERMISSION											
FA = 0		mm		SCALE 2:1		CURRENT REV DESC: SEE REVISION TABLE															
FC = 0		GENERAL TOLERANCES (UNLESS SPECIFIED)		ANGULAR TOL ± °		EC NO: 706897												SFP+ 1X6 CAGE, PRESS FIT			
FD = 0		4 PLACES ±		3 PLACES ±		DRWN: PKH 2022/04/05								W/ SUS EMI SPRING FINGER, BELLY TO BELLY MNTG							
DIVISIONAL SYMBOLS		3 PLACES ±		2 PLACES ± 0.15		CHK'D: TKUMARKC 2022/05/18								PRODUCT CUSTOMER DRAWING							
		1 PLACE ± 0.25		0 PLACES ±		APPR: SCHIEN 2022/05/19								INITIAL REVISION:							
		DRAFT WHERE APPLICABLE MUST REMAIN WITHIN DIMENSIONS		THIRD ANGLE PROJECTION		DRWN: PKH 2022/04/05								DOCUMENT NUMBER		DOC TYPE		DOC PART		REVISION	
		D-SIZE		74754		APPR: SCHIEN 2022/05/19								747548620		PSD		ASY		A	
		SEE P/N TABLE		GENERAL MARKET		MATERIAL NUMBER								CUSTOMER		SHEET NUMBER					
																		2 OF 6			



# PCB LAYOUT FOR BELLY TO BELLY MOUNTING



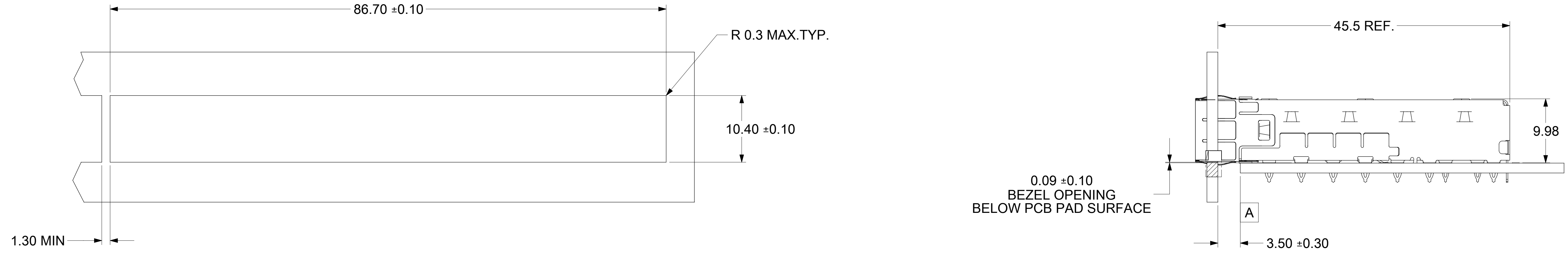
**NOTE:  
SEE SHEET 3 FOR  
HOST CONNECTOR DETAIL**

**NOTES:**

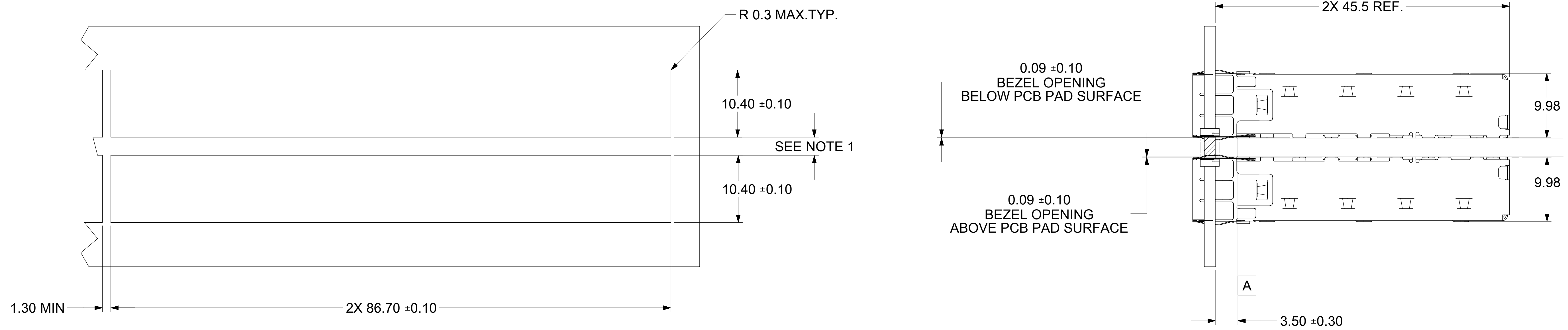
1. PADS AND VIAS CONNECT TO CHASSIS GROUND. (RECOMMEND PADS TO BE 2.00mm SQUARE.)
2. RECOMMENDED THRU HOLE PLATING INCLUDES HASL, OSP, OR IMMERSION. (GOLD, SILVER, OR TIN.)
3. CONNECTOR PAD LAYOUT PER SFP+ MSA WILL ACCOMODATE MOLEX CONNECTOR SERIES 74441 OR EQUIVALENT.
4. HOLE PATTERN REPEATS FOR EACH PORT. SPACING BETWEEN PORTS IS 14.25mm.

<b>FUNCTIONAL SYMBOLS</b> $F_A = 0$ $F_C = 0$ $F_P = 0$	THIS DRAWING CONTAINS INFORMATION THAT IS PROPRIETARY TO MOLEX ELECTRONIC TECHNOLOGIES, LLC AND SHOULD NOT BE USED WITHOUT WRITTEN PERMISSION		CURRENT REV DESC: SEE REVISION TABLE				
	<b>DIMENSION UNITS</b> mm	<b>SCALE</b> 4:1	<p>SFP+ 1X6 CAGE, PRESS FIT W/ SUS EMI SPRING FINGER, BELLY TO BELLY MNTG</p> <p>PRODUCT CUSTOMER DRAWING</p>				
	<b>GENERAL TOLERANCES (UNLESS SPECIFIED)</b>						
	ANGULAR TOL ± °						
4 PLACES ±							
<b>DIVISIONAL SYMBOLS</b>	3 PLACES ±	EC NO: 706897 DRWN: PKH 2022/04/05	747548620				
	2 PLACES ± 0.15	CHK'D: TKUMARKC 2022/05/18	PSD	ASY			
	1 PLACE ± 0.25	APPR: SCHIEN 2022/05/19	A	REVISION			
	0 PLACES ±	INITIAL REVISION: DRWN: PKH 2022/04/05 APPR: SCHIEN 2022/05/19	DOCUMENT NUMBER	DOC TYPE	DOC PART		
DRAFT WHERE APPLICABLE MUST REMAIN WITHIN DIMENSIONS		THIRD ANGLE PROJECTION	DRAWING	SERIES	MATERIAL NUMBER	CUSTOMER	SHEET NUMBER
			D-SIZE	74754	SEE P/N TABLE	GENERAL MARKET	4 OF 6

## BEZEL AND BOARD POSITION DIMENSIONS FOR SINGLE SIDE MOUNTING (SPRING FINGER)



## BEZEL AND BOARD POSITION DIMENSIONS FOR BELLY TO BELLY MOUNTING (SPRING FINGER)



NOTE:

1. PCB THICKNESS VARIATION MUST BE CONSIDERED WHEN DETERMINING BEZEL OPENING, SIZE, AND LOCATION.

FUNCTIONAL SYMBOLS FA = 0 FC = 0 FP = 0	THIS DRAWING CONTAINS INFORMATION THAT IS PROPRIETARY TO MOLEX ELECTRONIC TECHNOLOGIES, LLC AND SHOULD NOT BE USED WITHOUT WRITTEN PERMISSION		
	DIMENSION UNITS mm	SCALE 3:1	CURRENT REV DESC: SEE REVISION TABLE
DIVISIONAL SYMBOLS	GENERAL TOLERANCES (UNLESS SPECIFIED)		EC NO: 706897 DRWN: PKH 2022/04/05 CHK'D: TKUMARKC 2022/05/18 APPR: SCHIEN 2022/05/19 INITIAL REVISION: DRWN: PKH 2022/04/05 APPR: SCHIEN 2022/05/19
	ANGULAR TOL	± °	
	4 PLACES	±	
	3 PLACES	±	
	2 PLACES	± 0.15	
1 PLACE	± 0.25		
0 PLACES	±		
DRAFT WHERE APPLICABLE MUST REMAIN WITHIN DIMENSIONS		THIRD ANGLE PROJECTION	DRAWING <b>D-SIZE</b>
DOCUMENT STATUS	P1	RELEASE DATE	SERIES <b>74754</b>
2022/05/19	07:40:30		MATERIAL NUMBER SEE P/N TABLE
		CUSTOMER GENERAL MARKET	SHEET NUMBER 5 OF 6


# molex

SFP+ 1X6 CAGE, PRESS FIT  
W/ SUS EMI SPRING FINGER, BELLY TO BELLY MNTG

PRODUCT CUSTOMER DRAWING

DOCUMENT NUMBER	DOC TYPE	DOC PART	REVISION
<b>747548620</b>	PSD	ASY	A

DATE	REV	DESCRIPTION
2022/04/05	A	INITIAL RELEASE

FUNCTIONAL SYMBOLS	THIS DRAWING CONTAINS INFORMATION THAT IS PROPRIETARY TO MOLEX ELECTRONIC TECHNOLOGIES, LLC AND SHOULD NOT BE USED WITHOUT WRITTEN PERMISSION														
FA = 0	DIMENSION UNITS		SCALE	CURRENT REV DESC: SEE REVISION TABLE											
FC = 0	mm	3:1	GENERAL TOLERANCES (UNLESS SPECIFIED)							SFP+ 1X6 CAGE, PRESS FIT W/ SUS EMI SPRING FINGER, BELLY TO BELLY MNTG					
FD = 0	ANGULAR TOL ± °		EC NO: 706897									PRODUCT CUSTOMER DRAWING			
DIVISIONAL SYMBOLS	4 PLACES ±	3 PLACES ±	2 PLACES ± 0.15	1 PLACE ± 0.25	0 PLACES ±	INITIAL REVISION:		DRWN: PKH 2022/04/05	CHK'D: TKUMARKC 2022/05/18	APPR: SCHIEN 2022/05/19	DOCUMENT NUMBER			DOC TYPE	DOC PART
DRAFT WHERE APPLICABLE MUST REMAIN WITHIN DIMENSIONS	THIRD ANGLE PROJECTION	DRAWING	SERIES	MATERIAL NUMBER	CUSTOMER	SHEET NUMBER	74754	74754	74754	74754	74754	74754	74754	74754	
DOCUMENT STATUS	P1	RELEASE DATE	2022/05/19	07:40:30	PSD	ASY	A	6 OF 6							