

389 **0%**
MERCURY

SR1130W (SR54)
Watch Battery OEM
Swiss Made

Technical Data Sheet

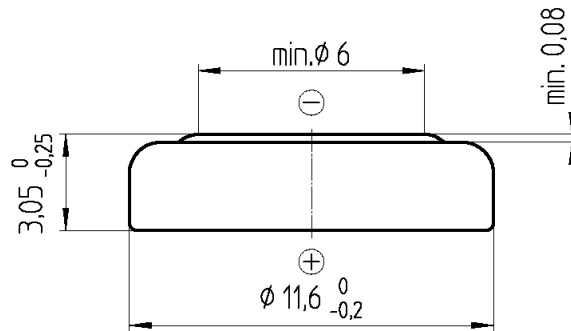
Specifications

| | |
|------------------------|---|
| Chemical system | Zinc / Monovalent Silver Oxide, high drain |
| Nominal Voltage | 1,55 V |
| Capacity | 80 mAh, Discharge over 15 kΩ at 20°C to 1,2 V |
| Operating Temperature* | -10°C – 60°C |
| Self Discharge | Less than 10% per year at 20°C |
| Weight | ~1,25 g |

Dimensions

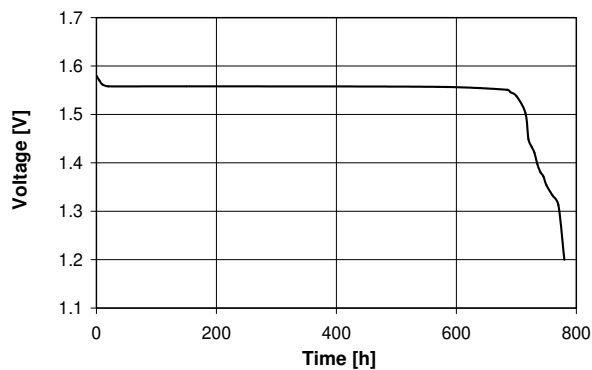
(according IEC 60086-3)

| | |
|----------|-------------------|
| Diameter | 11,60 mm (0,457") |
| Height | 3,05 mm (0,120") |



Discharge Curve

| | |
|----------------|--------|
| Constant Load | 15 kΩ |
| Starting Drain | 104 μA |
| Temperature | 20°C |



*Condensing humidity not allowed

Information and contents in this data sheet are for reference purpose only. They do not constitute any warranty or representation and are subject to change without notice. For most current information and further details, please contact your Renata representative. For safety related information please consult the PSDS document related to that product or product family. The Products of Renata SA are neither designed nor authorized for use in certain areas of application of environment. For further details we refer to our webpage www.renata.com/downloads/restriction_of_use

Rev. 389MF_OEM.07 2019/08