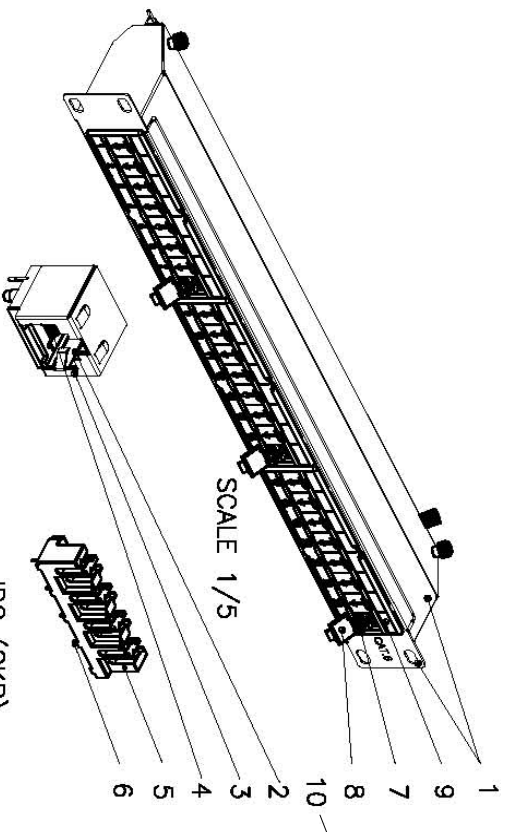


Signature	Revision History	Date	Rev.
G.Chen	Release DIGITUS format drawing	May, 19, 2010	01



RJ45
RIGHT ANGLE JACK

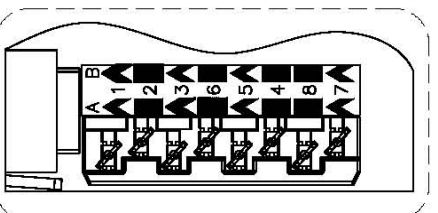
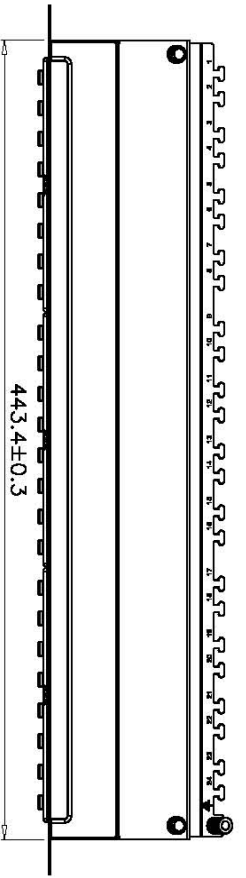
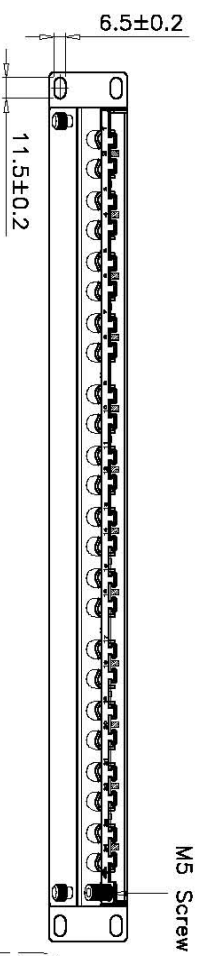
IDC (CKR)
CROSS KRONE IDC

SCALE 1/5

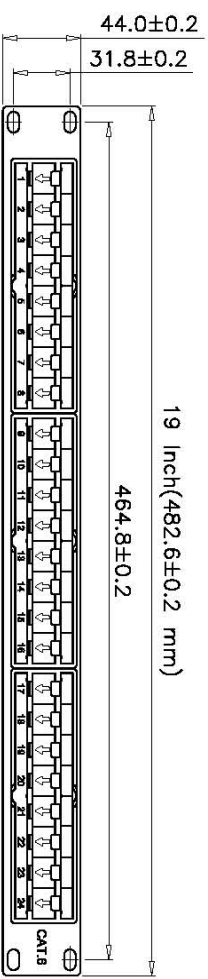
Ground Wire

400.0±10.0

M5 Screw



SCALE 1/1



1 2 3 4 5 6 7

1 2 3 4 5 6 7 8 9 10

Specification:

Material:

1. Top & Bottom Case: SECC, 1.2mm thickness with Gray(RAL 7035) color painted.
2. RJ45 Jack Housing: PBT, UL 94V-0.
3. RJ45 Jack Shield: Bronze with Nickel plated.
4. RJ45 Jack Contact material & finished:

- 4-1. Phosphor Bronze with 50-60 micro-inch Nickel plated.
- 4-2. Contact area: Min. .3mm 50 micro-inch Gold plated.
5. IDC Housing: PC+5%GF, UL 94V-2
6. IDC Terminal material & finished:

- 6-1. Phosphor Bronze with 50-60 micro-inch Tin plated.
- 6-2. Krone tool available only.
- 6-3. Suitable for 22-26 AWG stranded & solid wire.
7. Jack Bracket Set: ABS+PC, UL 94V-0, Gray(RAL 7035) Color.
8. Dust Cover: Polycarbonate, UL 94V-2, Transparent Color
9. Name Plate: Polycarbonate, UL 94V-2, Transparent Color.
10. Ground Wire: 18 AWG wire, with Green/Yellow striped color, length 40 cm.

Performance:

- a. The sticker color codes combine two wirings of T568A & T568B.
- b. Operation Temperature : -20 C to 70 C.
- c. Insertion Force: 900 gms for 8 contacts.
- d. Retention Strength: 7.7 kg between Jack and Plug.
- e. Durability:

e-1. Jack: 750 cycles Plug-Jack mating and unmating test, insertion cycles at 20 cycles/minute max. Contact resistance test per 100 cycles.

e-2. IDC : Max.200 punching times.

f. The Cat.6 performance is in compliance with the ANSI/TIA/EIA 568 B.2-1 standard.

H

1

2

3

4

5

6

7

8

9

10

11

12

13

14

15

16

17

18

19

20

21

22

23

24

25

	Drawn By	May, 19, 2010	G.Chen	DN-91624S-KL
	Checked By	May, 19, 2010	Kevin.N	
Approved By				
				Part No.
DN-91624S-KL				Title: DIGITUS CAT.6 Patch Panel Shielded 24-Port RJ45, 8P8C, USA, 1U Die Embedded Certified Rack Mount, Color Grey RAL 7035
Scale	N/A	Sheet	1/1	
Unit	MM			

H G F E D C B A