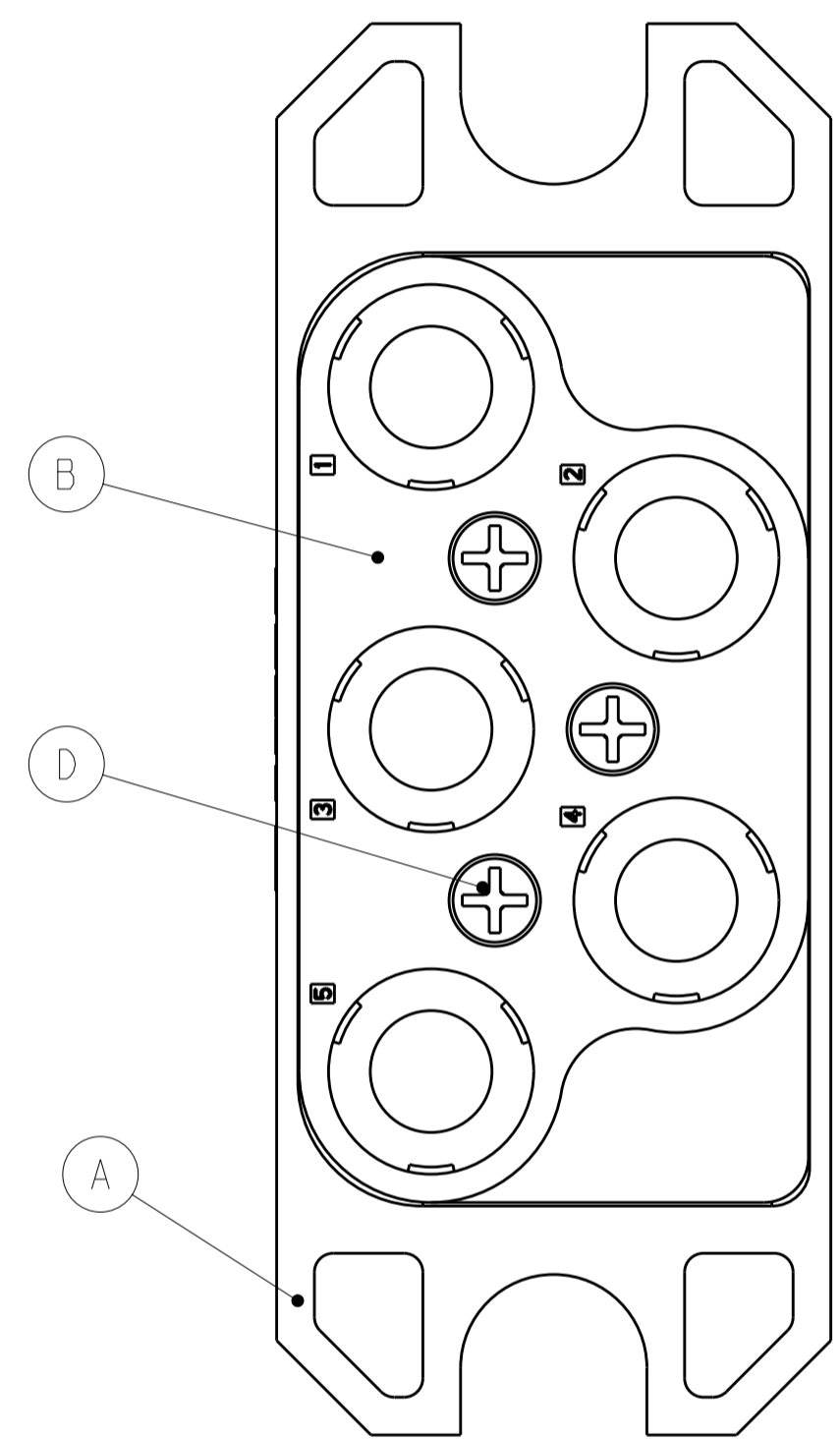
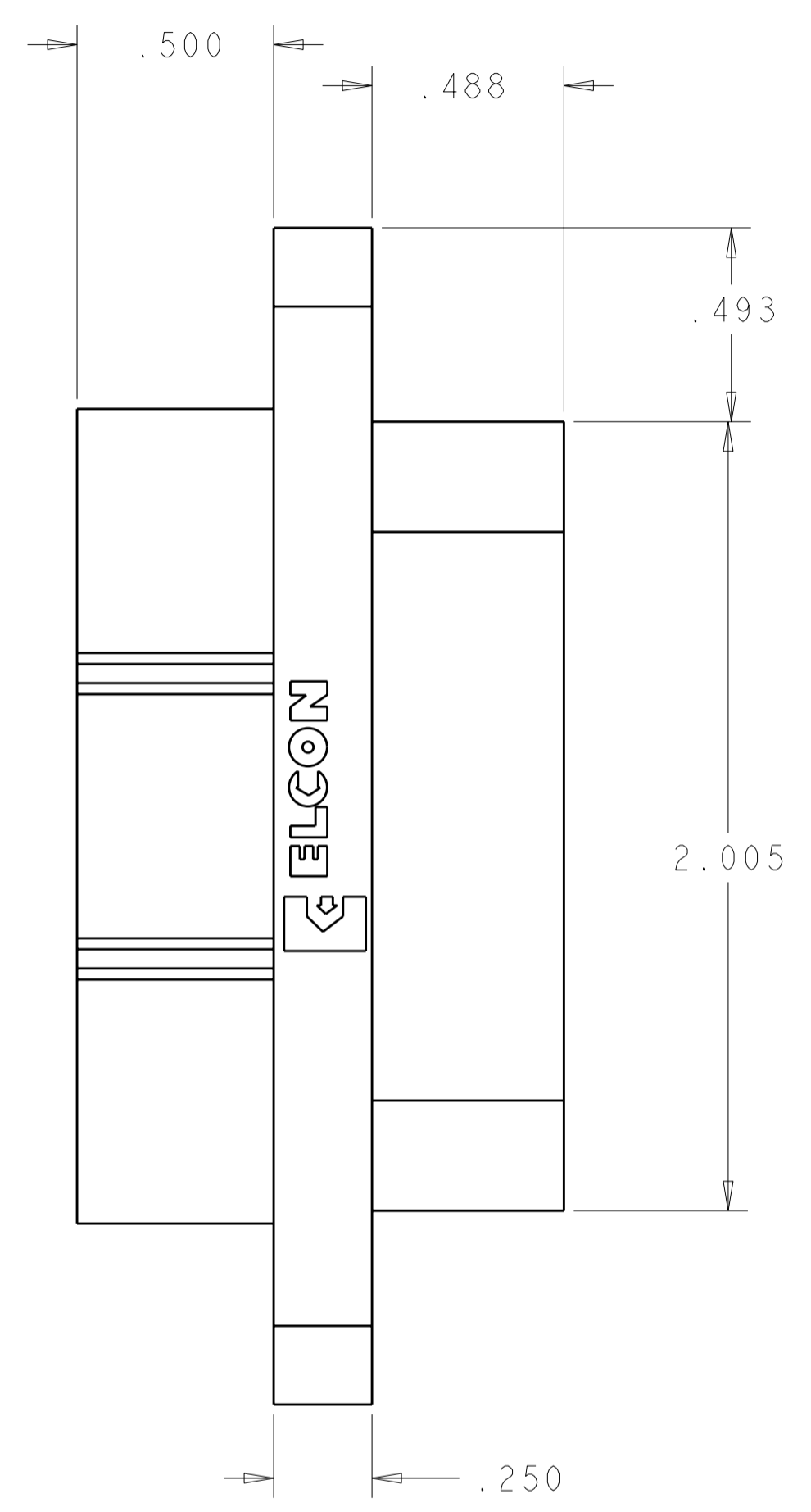
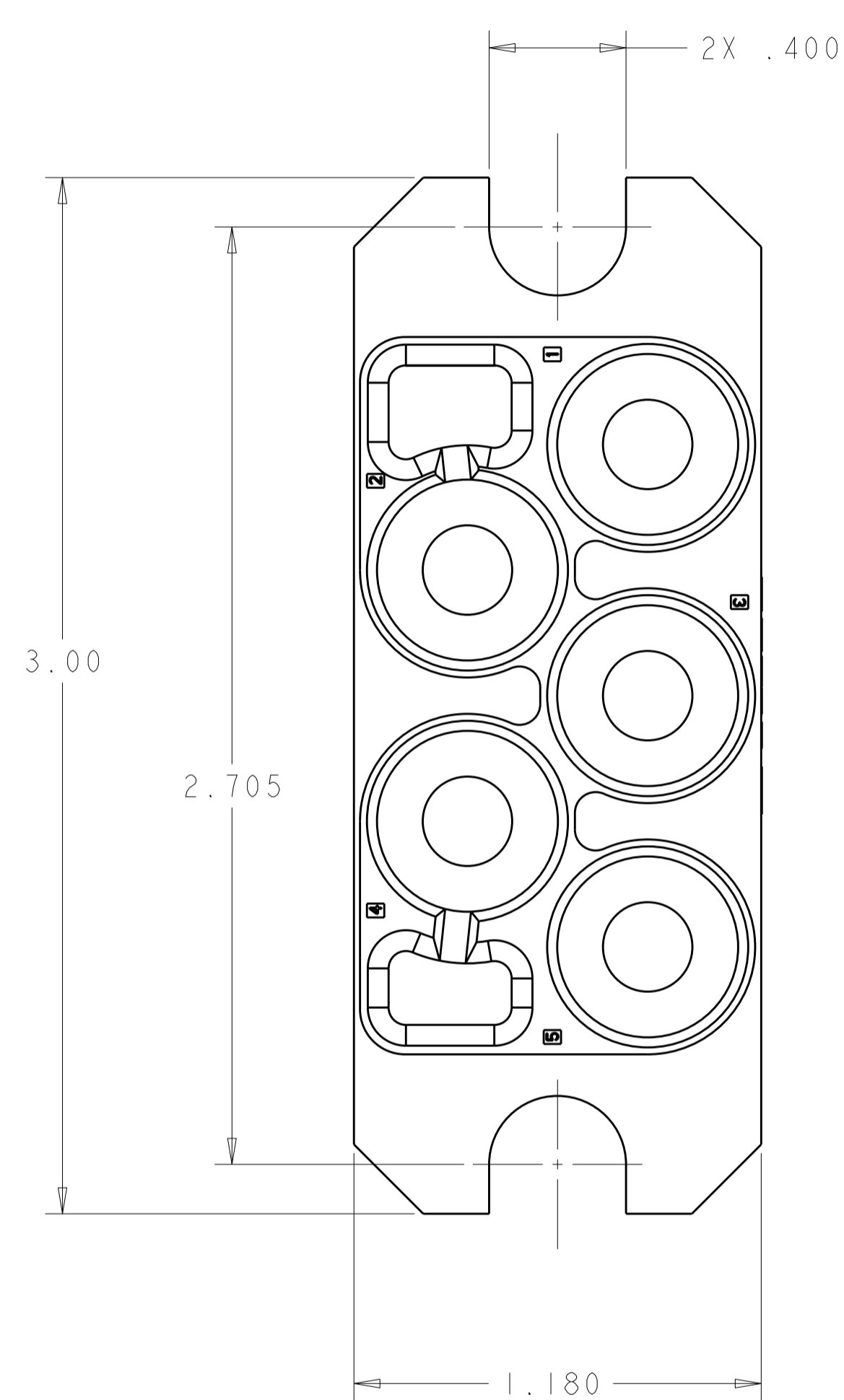


THIS DRAWING IS UNPUBLISHED. RELEASED FOR PUBLICATION 20
 © COPYRIGHT 20 BY TYCO ELECTRONICS CORPORATION. ALL RIGHTS RESERVED.

LOC		DIST		REVISIONS			
P	LTR	DESCRIPTION	DATE	DWN	APVD		
GP	00	A	NEW RELEASE	18JUL2007	RG	DO	
		B	REV PER ECO-09-008290	16APR2009	RG	DO	



REAR VIEW

RETENTION CLIP (C)
 SIZE #4

AS SHOWN	6648191-1
DESCRIPTION	PART NUMBER

<small>THIS DRAWING IS A CONTROLLED DOCUMENT FOR TYCO ELECTRONICS CORPORATION. IT IS SUBJECT TO CHANGE AND THE CONTROLLING ENGINEERING ORGANIZATION SHOULD BE CONTACTED FOR THE LATEST REVISION.</small>		DWN R. GRZYBOWSKI 18JUL2007 CHK D. ORRIS 18JUL2007 APVD S. FLICKINGER 18JUL2007	Tyco Electronics Harrisburg, PA 17105-3608
DIMENSIONS: INCHES 	TOLERANCES UNLESS OTHERWISE SPECIFIED: 0 PLC ± 1 PLC ± 2 PLC ±.02 3 PLC ±.010 4 PLC ± ANGLES ± FINISH	PRODUCT SPEC APPLICATION SPEC WEIGHT CUSTOMER DRAWING	NAME P. GRZYBOWSKI S. FLICKINGER SIZE CAGE CODE DRAWING NO A200779 C-6648191 RESTRICTED TO
ELCON "W" POWER		SCALE 3:1	SHEET 1 OF 2 REV B

THIS DRAWING IS UNPUBLISHED. RELEASED FOR PUBLICATION 20
 © COPYRIGHT 20 BY TYCO ELECTRONICS CORPORATION. ALL RIGHTS RESERVED.

LOC	DIST	REVISIONS					
		P	LTR	DESCRIPTION	DATE	DWN	APVD
GP	00	-	-	SEE SHEET 1	-	-	-

1. PART NUMBER CHANGES AND OR DESIGN CHANGES AFFECTING THE INTERCHANGEABILITY REQUIRE PRIOR TYCO ELECTRONICS APPROVAL AND AUTHORIZATION BY REVISION TO THIS DRAWING.
2. MATERIAL:
 INSULATOR: THERMOPLASTIC, GLASS REINFORCED, FLAMMABILITY RATED, COLOR: BLACK
 RETENTION CLIP: BERYLLIUM COPPER OR STAINLESS STEEL

3. ITEMS PROVIDED TO THIS SPECIFICATION TO BE PERMANENTLY IDENTIFIED PER THE FOLLOWING IDENTIFIER:



3	1766841-1	SCREW, SELF TAPPING	D
5	1650589-1	CLIP, RETENTION, No.4	C
1	1648689-1	HOUSING, PIN, REAR	B
1	1648688-1	HOUSING, PIN, FRONT	A
-1	PART NUMBER	DESCRIPTION	ITEM

THIS DRAWING IS A CONTROLLED DOCUMENT FOR TYCO ELECTRONICS CORPORATION. IT IS SUBJECT TO CHANGE AND THE CONTROLLING ENGINEERING ORGANIZATION SHOULD BE CONTACTED FOR THE LATEST REVISION.

DWN: R.GRZYBOWSKI 18 JUL 2007	Tyco Electronics Harrisburg, PA 17105-3608
CHK: D.ORRIS 18 JUL 2007	
APVD: S.FLICKINGER 18 JUL 2007	
NAME: P. GRZYBOWSKI	
PRODUCT SPEC: P. GRZYBOWSKI	
APPLICATION SPEC: P. GRZYBOWSKI	
WEIGHT: -	
CUSTOMER DRAWING	

SIZE: A2 CAGE CODE: 00779 DRAWING NO: 6648191 RESTRICTED TO: -

SCALE: 3:1 SHEET 2 OF 2 REV B

ELCON "W" POWER