

1 2 3 4 5 6 7 8

F

F

E

E

D

D

C

C

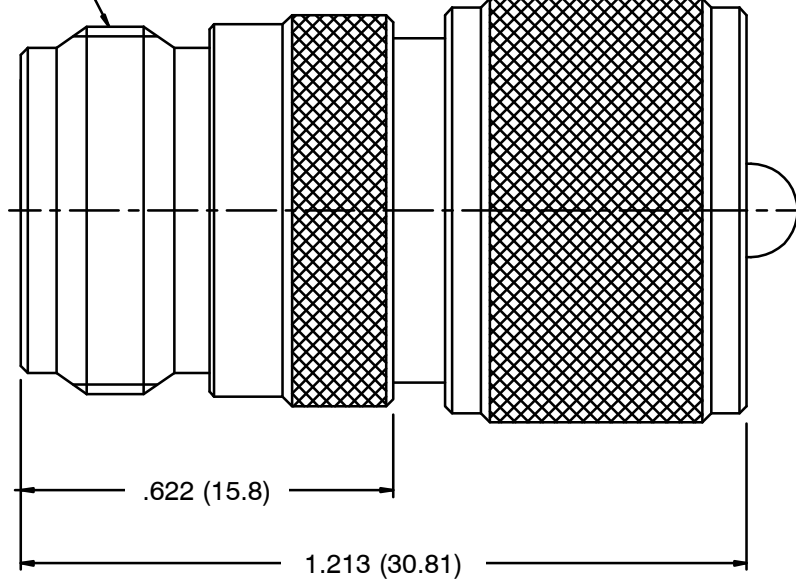
B

B

A

A

5/8-24UNEF-2A



NOTES: Finish (Plating Thickness in Micro-inches)
 1. Brass
 2. Silver Pl. 100 Min. Thick over Copper Pl. 50 Min. Thick
 3. Phosphor Bronze
 4. Thin Gold over Nickel Pl. 50 min. Thick over Copper Pl. 50 Min. Thick
 5. TEFLON

RoHS Compliant

					Dimensions are in Inches			Part No.		NTE Electronics	
					Unless Otherwise Specified			Approved			
					Tolerances			Date		N Jack to UHF Plug Adapter	
					0.5-6 = ±0.2			2-24-2016			
					6-30 = ±0.4			Date			
					30-120 = ±0.6			2-24-2016		Drawing No.	
					120-315 = ±1			Date		06-0102	
					315-1000 = ±1.6			2-24-2016			
					1000-2000 = ±2.4			Date			
								2-24-2016		File No.	

6	Shell	Note 1	Note 2	1	
5	Retainer Ring	SUS 303	Natural	1	
4	Contact Pin	Note 1	Note 4	1	
3	Contact Pin	Note 3	Natural	1	
2	Insulator	Note 5	Natural	1	
1	Body	Note 1	Note 2	1	
No.	Description	Material	Finish	Q'ty	Drawing No.

1 2 3 4 5 6 7 8