
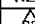
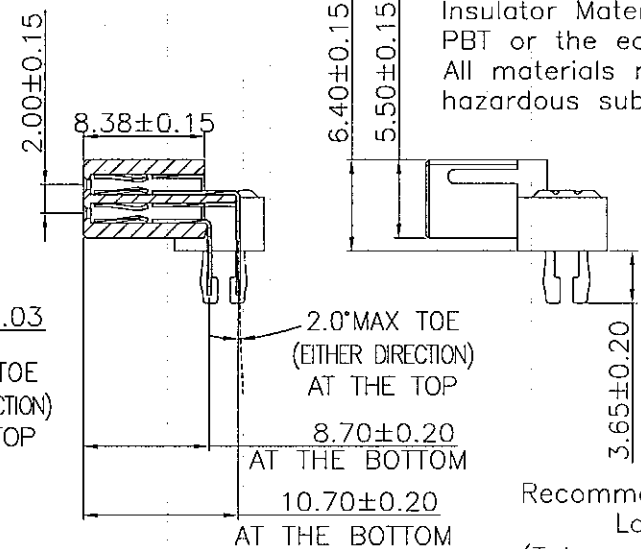
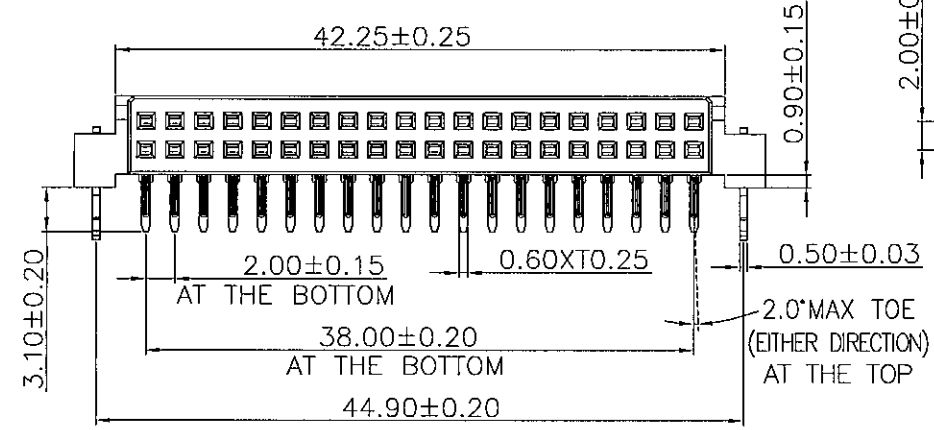
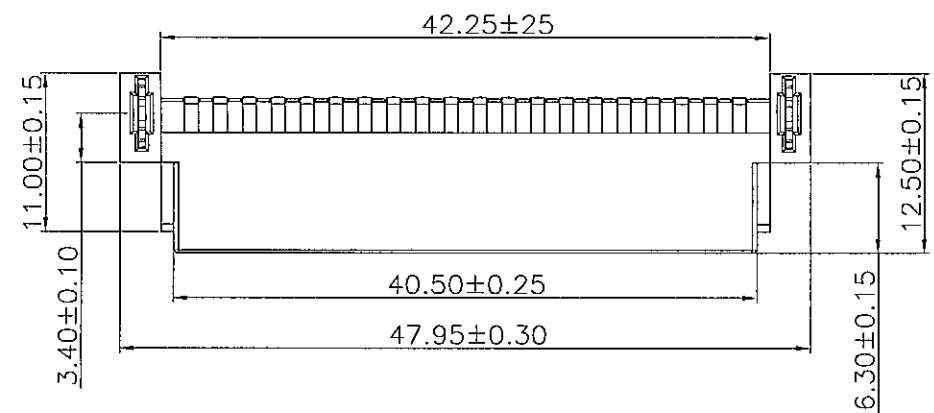


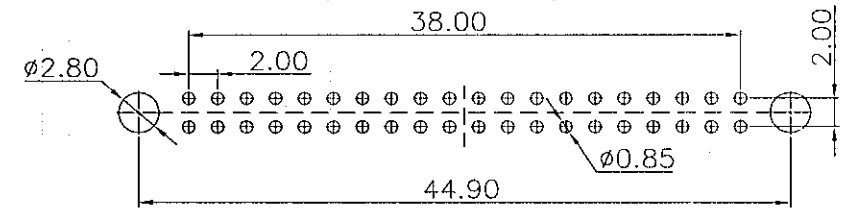
DAWOO 專用 

REV.	LOCAS.	DESCRIPTION	DATE	DRAWN
01	NEW	BATCH PRODUCTION INITIAL RELEASE.	2021.08.03	劉先平
02		根據業務要求因紙備註DAWOO專用	2021.08.05	劉先平

Specifications
 Current Rating:3.0AmpAC/DC
 Voltage rating:250V AC/DC
 Insulation Resistance:1000MΩMin.
 Dielectric Withstanding Voltage:1000VAC
 Contact Resistance:30mΩMax.
 Operating Temperature:-25°C to +85°C
 Materials
 Contact Material:Phosphor Bronze
 Stabilizer Material:Brass
 Insulator Material:Thermoplastic, UL 94V-0
 PBT or the equivalent material
 All materials must meet GREENCONN
 hazardous substances control standards.


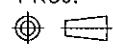

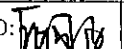


Recommended P.C.Board
 Layout
 (Tolerance:±0.05)



Ordering Information

C WFB201 - XX XX A 001 K X S X
 No. of Pins per Row 20
 Standard Plating 01=Ni: 50~100u", Tin80~160u"
 Color 2=White
 Standard Packing C=Tube

 Website: www.greenconn.com E-mail: sales@greenconn.com	3RD.ANG PROJ. 	GENERAL TOLERANCE X:±3.0' X:±0.25 .X'±2.0' .X±0.20 .XX'±1.0' .XX±0.13 .XXX'±0.5' .XXX±0.08		DESIGNED: 劉先平 CHECKED:  APPROVED: 	DATE: 2021.08.05 DATE: 2021.08.05 DATE: 2021.08.04	DWG. NO. CWFB201-CA1KS PART NO. CWFB201-XXXXA001K2SX	TITLE. 2.00mm Pitch Connector
		REV. 02 UNIT. mm SCALE. 2:1 PAGE. 1/1					