

# AST3TQ Evaluation Board

AST3TQ-Eval

Moisture Sensitivity Level – N/A



RoHS/RoHS II compliant



39.43 x 42.72mm

## DESCRIPTION:

AST3TQ Evaluation boards are designed to facilitate the electrical performance testing of the AST3TQ series of TCXO's and VCTCXO's. Customers simply solder down the AST3TQ device on the provided land-pattern and connect +3.3V to the SMA connector marked as "Vdd" and monitor the RF Output at the SMA marked as "Out". For the TCXO version, the "VC" port SMA connector should be left floating. For the VCTCXO version of the AST3TQ devices, this port should be connected to a DC Voltage between 0.00V and +3.30V. Please follow the recommended center voltage value specified in the product data sheet for the device under test (DUT), to be on frequency relative to the carrier.

## OPTIONS AND PART IDENTIFICATION

**AST3TQ-EVAL**

## OUTLINE DIMENSIONS



ABRACON IS  
ISO9001:2008  
CERTIFIED

 **ABRACON**<sup>®</sup> LLC  
The Power of Linking Together

2 Faraday, Suite# B | Irvine | CA 92618 **Revised: 01.23.15**  
Ph. 949.546.8000 | Fax. 949.546.8001  
Visit [www.abracon.com](http://www.abracon.com) for Terms and Conditions of Sale

# AST3TQ Evaluation Board

AST3TQ-Eval

Moisture Sensitivity Level – N/A

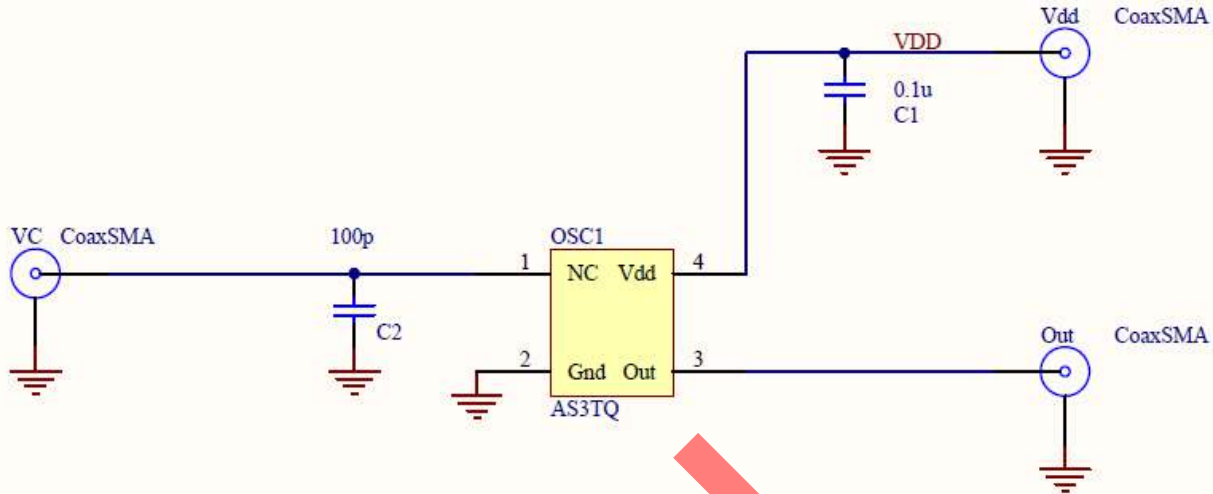


RoHS/RoHS II compliant

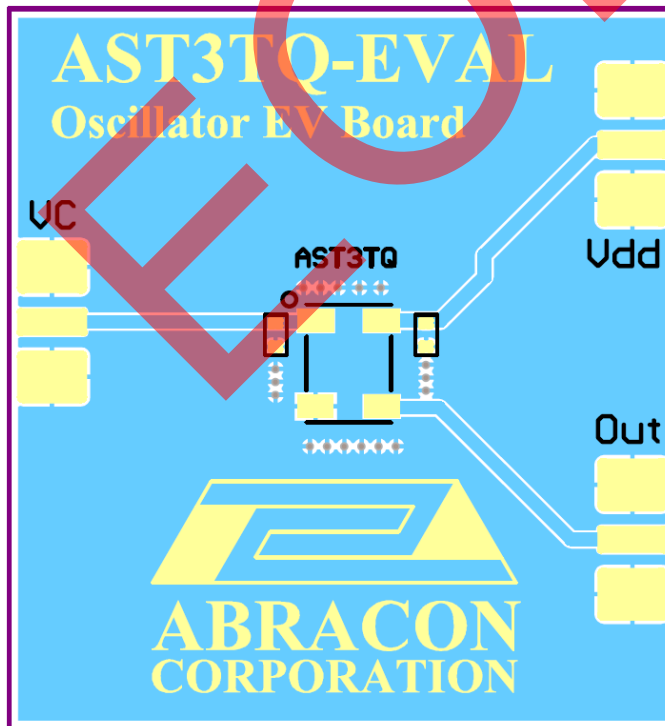


39.43 x 42.72mm

## SCHEMATIC



## LAYOUT



**ATTENTION:** Abracon Corporation's products are COTS – Commercial-Off-The-Shelf products; suitable for Commercial, Industrial and, where designated, Automotive Applications. Abracon's products are not specifically designed for Military, Aviation, Aerospace, Life-dependant Medical applications or any application requiring high reliability where component failure could result in loss of life and/or property. For applications requiring high reliability and/or presenting an extreme operating environment, written consent and authorization from Abracon Corporation is required. Please contact Abracon Corporation for more information.

ABRACON IS  
ISO9001:2008  
CERTIFIED



2 Faraday, Suite# B | Irvine | CA 92618 **Revised: 01.23.15**

Ph. 949.546.8000 | Fax. 949.546.8001

Visit [www.abracon.com](http://www.abracon.com) for Terms and Conditions of Sale