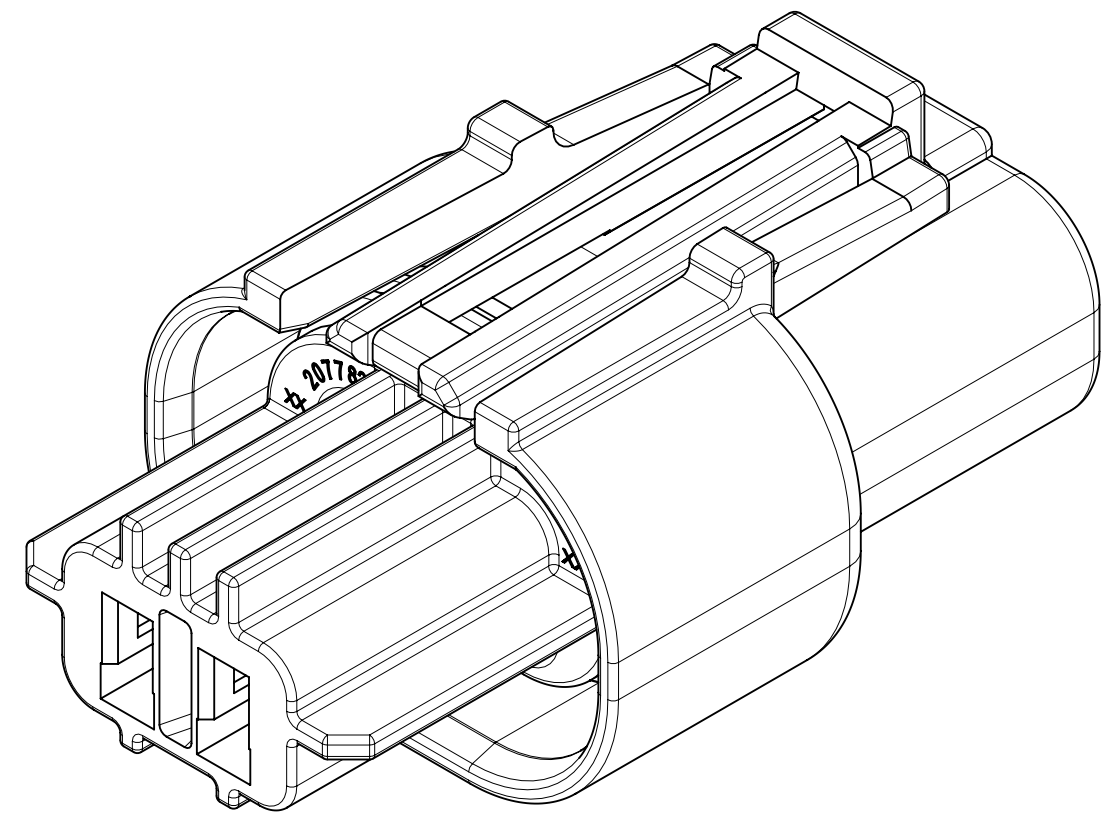
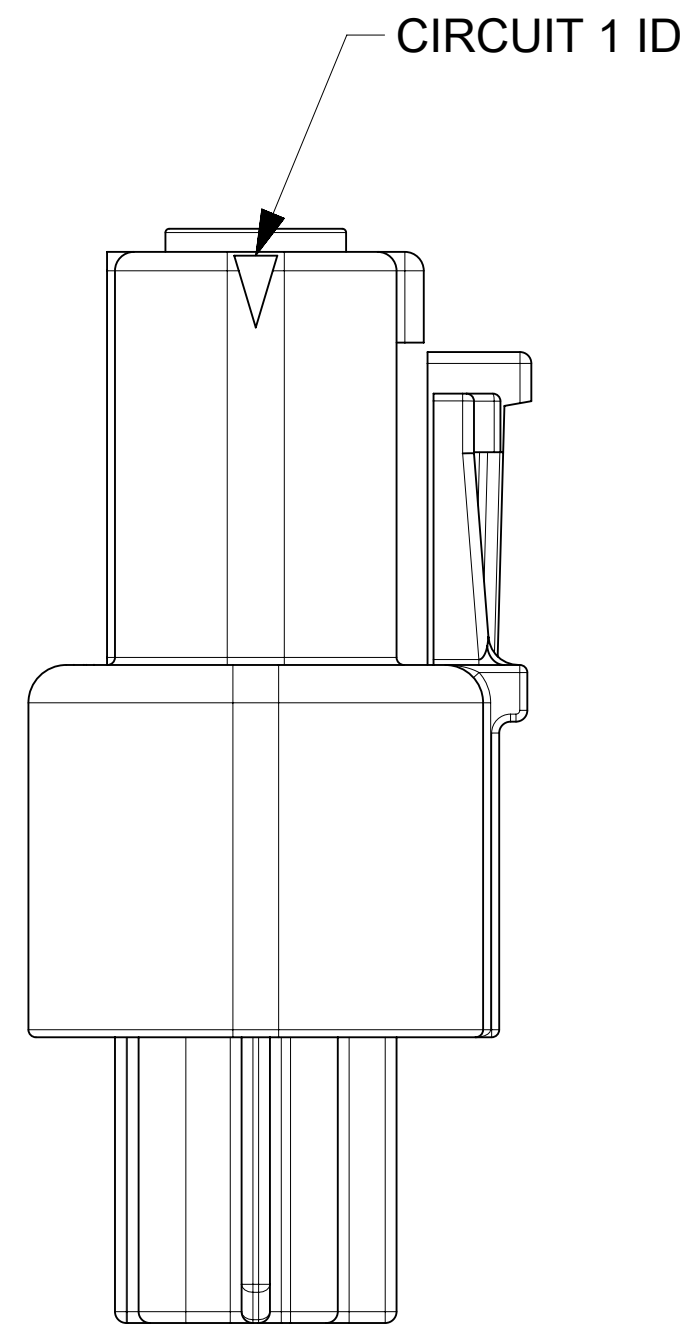


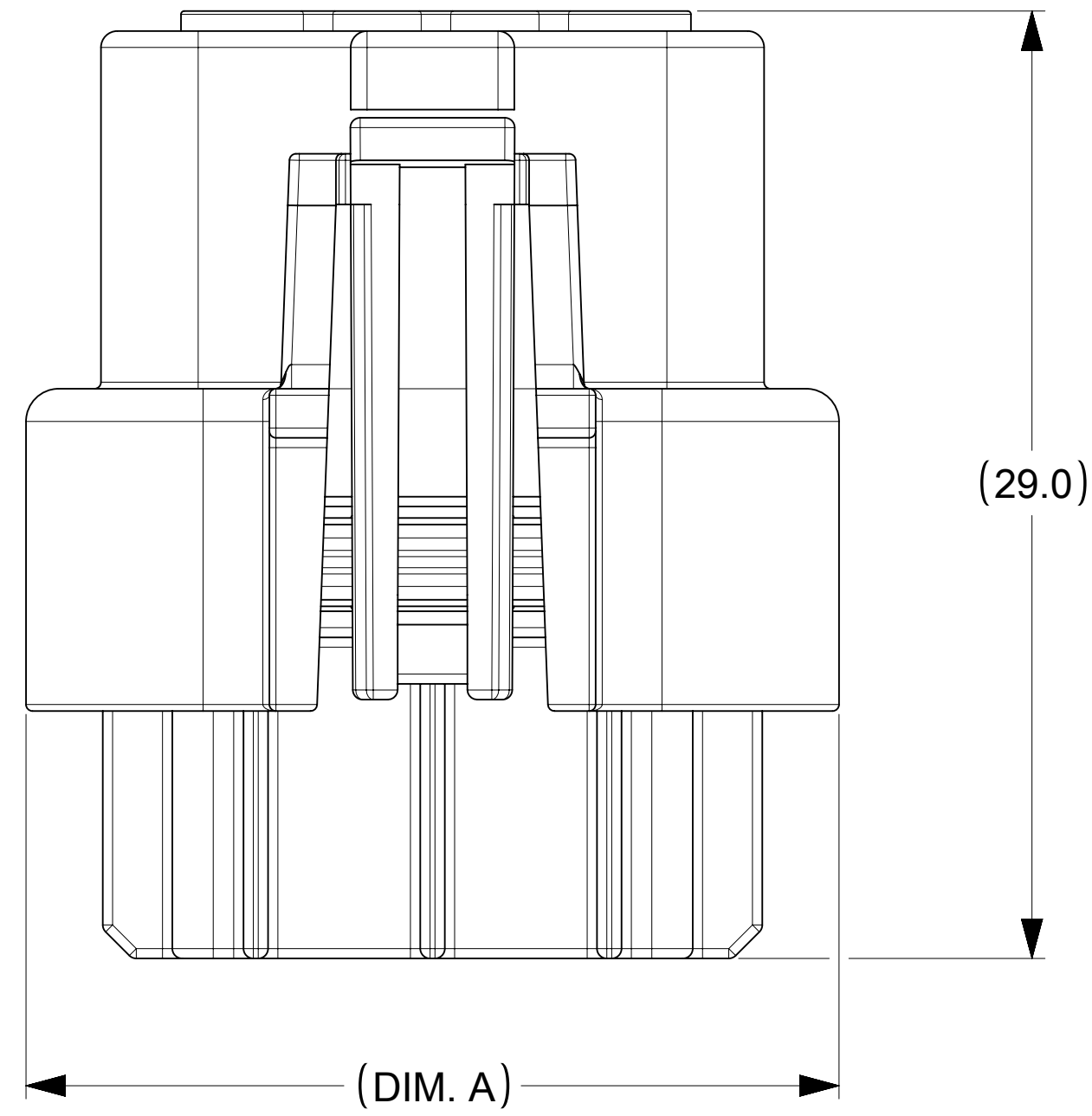
CIRCUIT SIZES



2 CKT

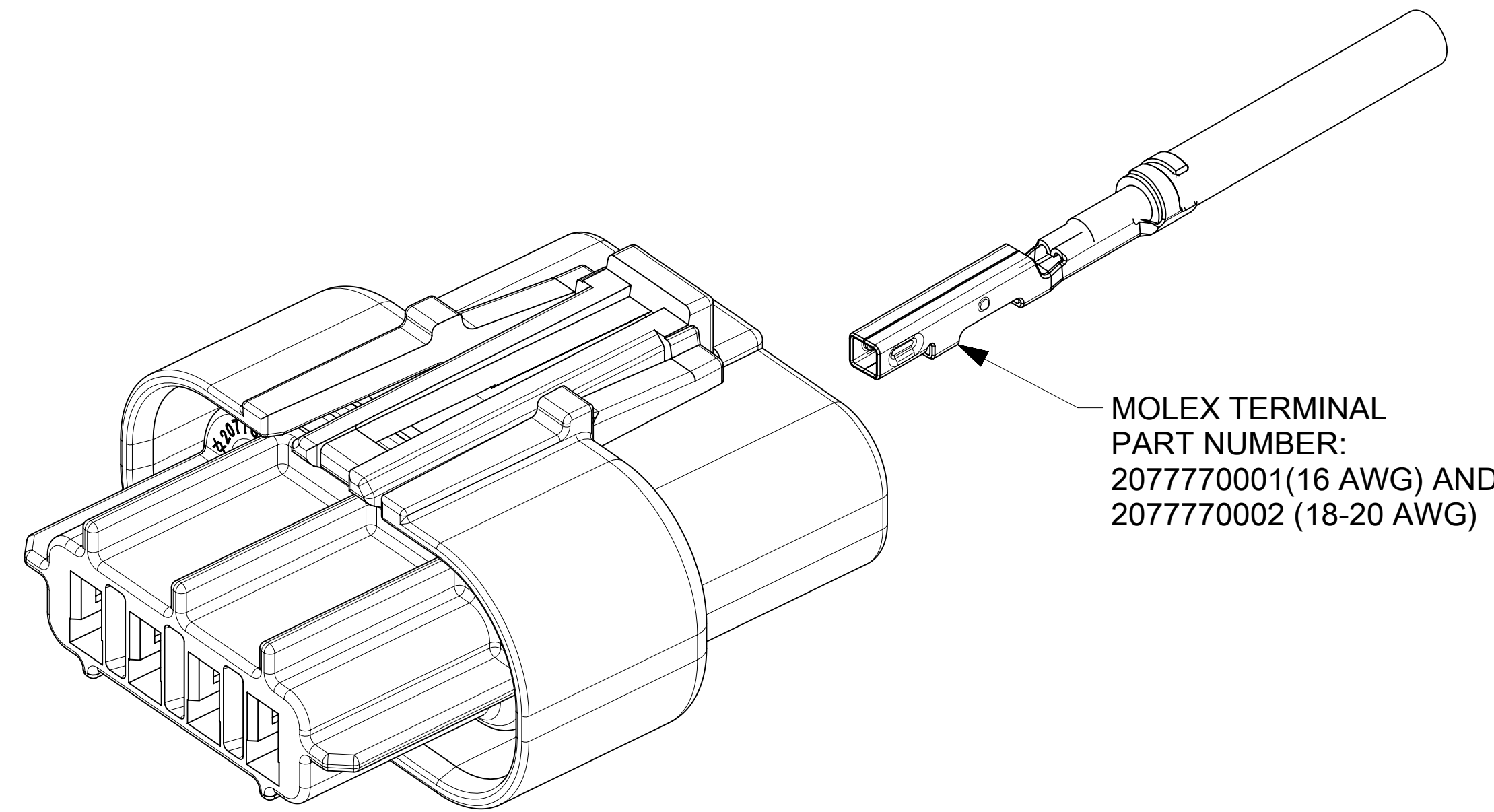


CIRCUIT 1 ID

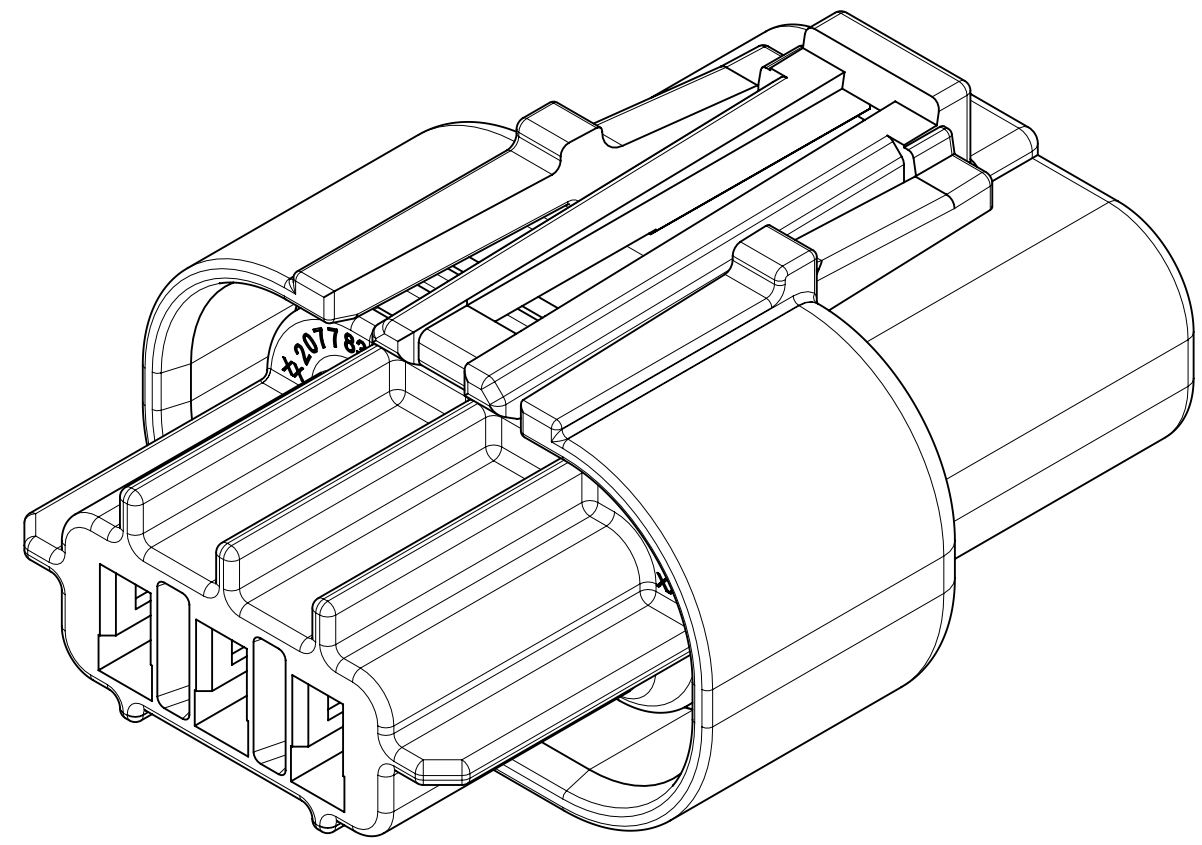


(29.0)

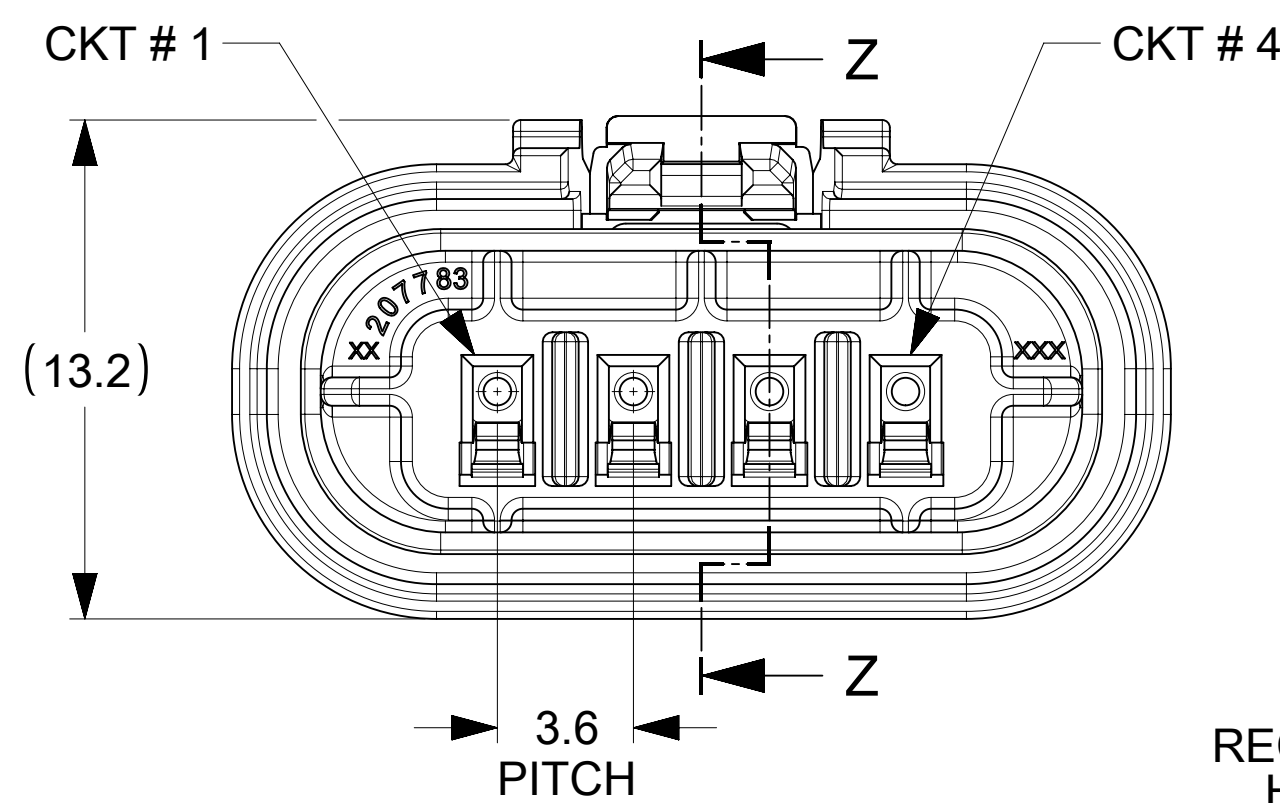
(DIM. A)



MOLEX TERMINAL
PART NUMBER:
207770001(16 AWG) AND
207770002 (18-20 AWG)

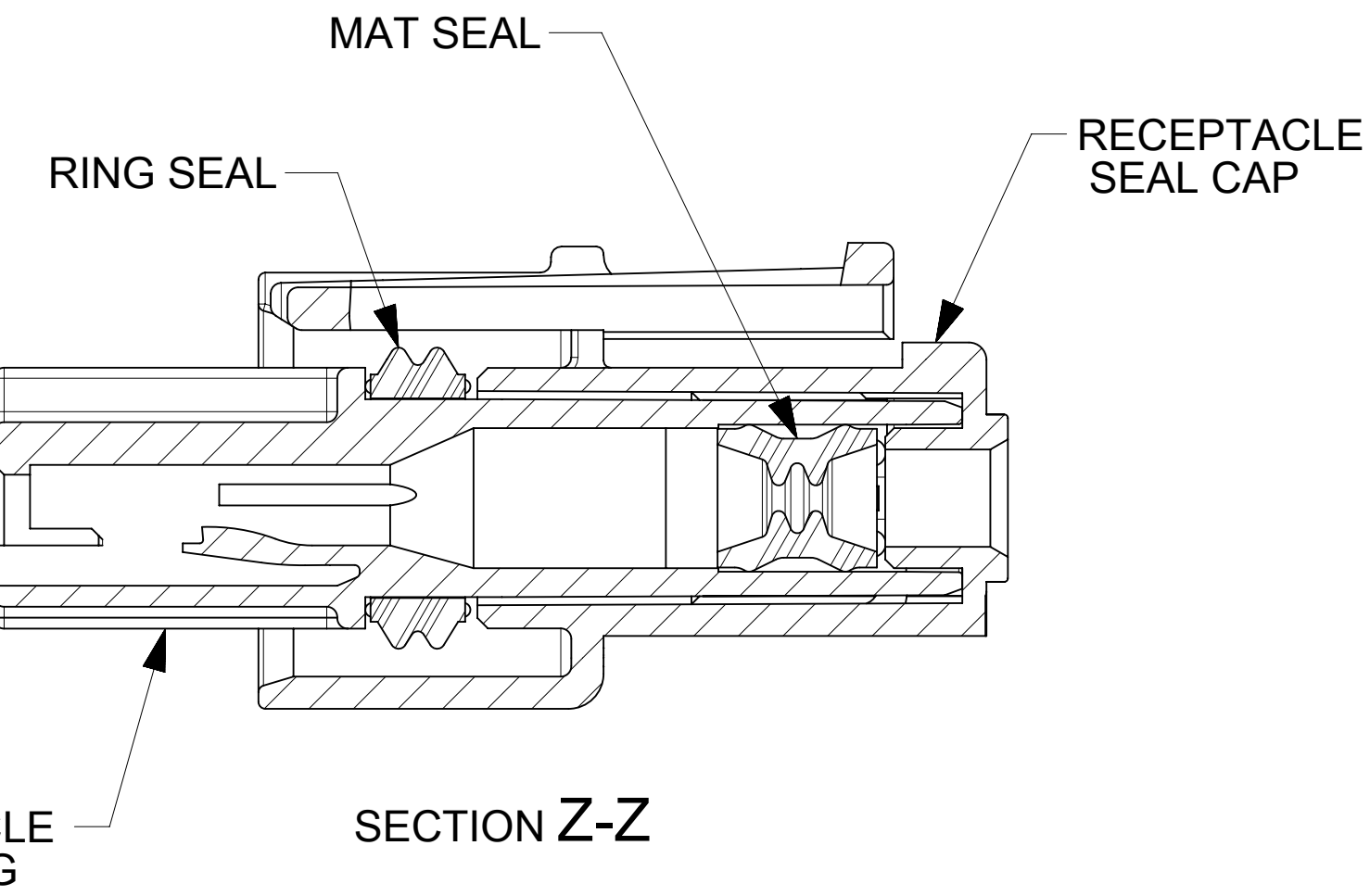


3 CKT



(13.2)

3.6
PITCH



MAT SEAL

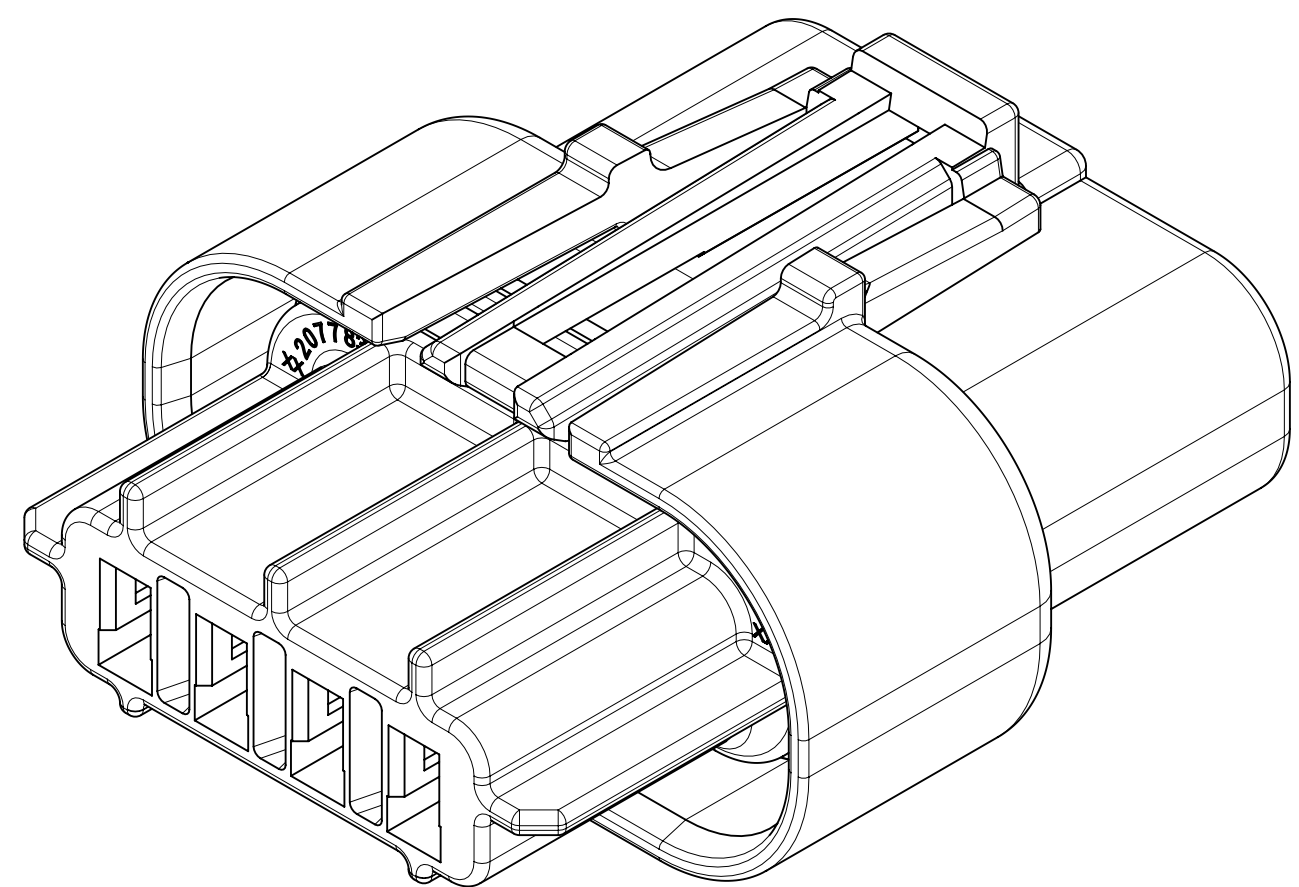
RING SEAL

RECEPTACLE
SEAL CAP

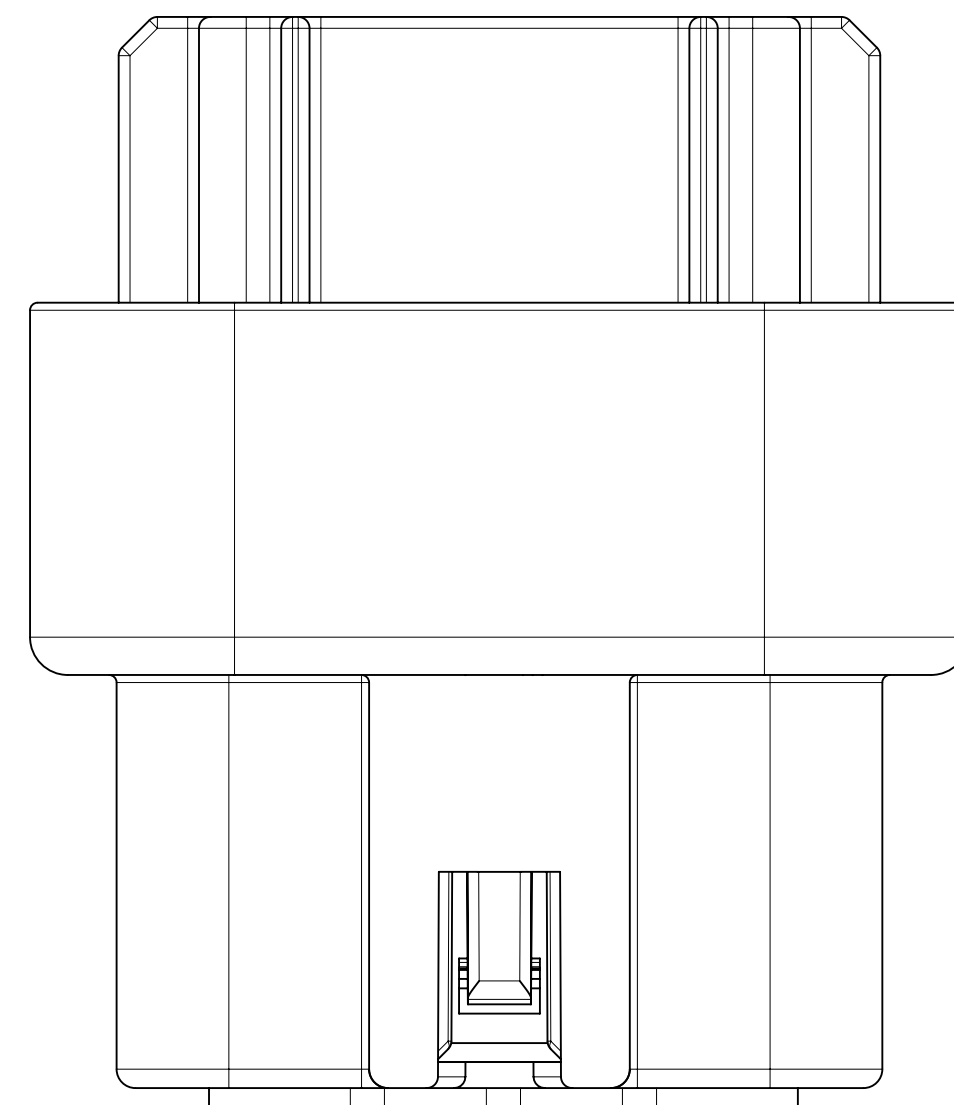
RECEPTACLE
HOUSING

SECTION Z-Z

CKT SIZE	MATERIAL NUMBER	DIM. A
2	2077820002	17.64
3	2077820003	21.24
4	2077820004	24.84



4 CKT



NOTES:

1. MATERIAL:
HOUSING & REAR SEAL CAP: NYLON, COLOR:BLACK
SEALS: INHERENTLY LUBRICATED SILICON
2. PRODUCT SPECIFICATION: 2077760000-PS
3. APPLICATION SPECIFICATION: 2077760000-AS
4. PACKAGING SPECIFICATION: 2077820000-PK
5. THIS PART MATES WITH PLUG SERIES 207778.
6. THIS PART USES TERMINAL SERIES 2077770001 AND 2077770002
7. THIS PART CONFORMS TO CLASS 'B' REQUIREMENTS OF COSMETIC SPECIFICATION PS-45499-002.

THIS DRAWING CONTAINS INFORMATION THAT IS PROPRIETARY TO MOLEX ELECTRONIC TECHNOLOGIES, LLC AND SHOULD NOT BE USED WITHOUT WRITTEN PERMISSION

DIMENSION UNITS mm	SCALE 5:1	CURRENT REV DESC: HSG LATCH IMPROVEMENT	molex			
GENERAL TOLERANCES (UNLESS SPECIFIED)						
ANGULAR TOL	± °	EC NO: 652852	PRODUCT CUSTOMER DRAWING			
4 PLACES	±	DRWN: SMAHAJANSHET 2021/01/11	DOCUMENT NUMBER	DOC TYPE	DOC PART	REVISION
3 PLACES	±	CHK'D: NCSR 2021/01/12	2077820000-SD	PSD	000	B
2 PLACES	± 0.2	APPR: NCSR 2021/01/12				
1 PLACE	± 0.25	INITIAL REVISION:				
0 PLACES	±	DRWN: MUM 2019/01/30				
DRAFT WHERE APPLICABLE MUST REMAIN WITHIN DIMENSIONS		APPR: NCSR 2019/07/03				
THIRD ANGLE PROJECTION		DRAWING SERIES	MATERIAL NUMBER	CUSTOMER		SHEET NUMBER
D-SIZE		207782	SEE TABLE	GENERAL MARKET		1 OF 1