

PART NAME	NON-METALLIC ENCLOSURE (STYLE E)	PART No.	NBE-10543 AND NBE-10563
------------------	---	-----------------	--------------------------------

MATERIAL:
SOLID BODY & COVER _____ ABS/PC BLENDED PLASTIC
 _____ UL94-5VB FLAMMABILITY RATING

CLEAR COVER _____ POLYCARBONATE PLASTIC
 _____ UL94V-0 FLAMMABILITY RATING
 _____ UV STABILIZED

PANEL _____ 0.078 THICK ALUMINUM
LATCHES & HINGES _____ NON-METALLIC
WALL MOUNTING BRACKETS _____ STAINLESS STEEL

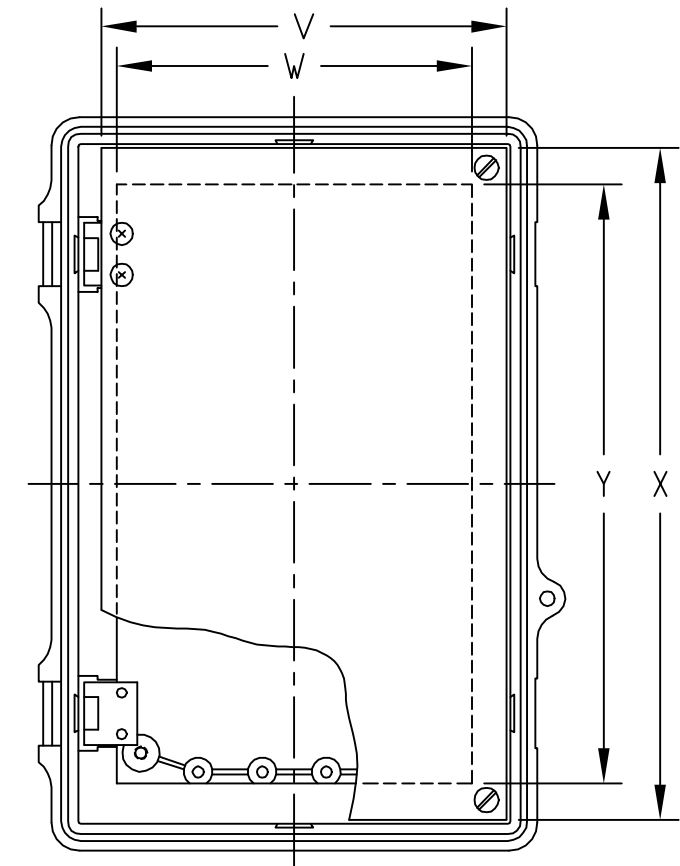
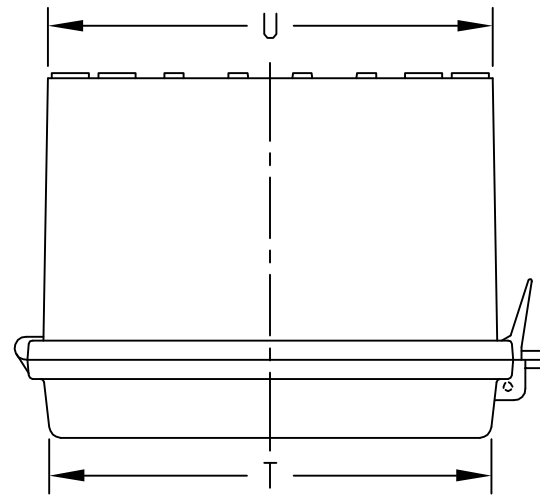
FINISH:
BODY _____ LIGHT GRAY
COVER _____ LIGHT GRAY OR CLEAR
PANEL _____ ANODIZED

 COVER INCLUDES GRAY POLY-URETHANE GASKET.

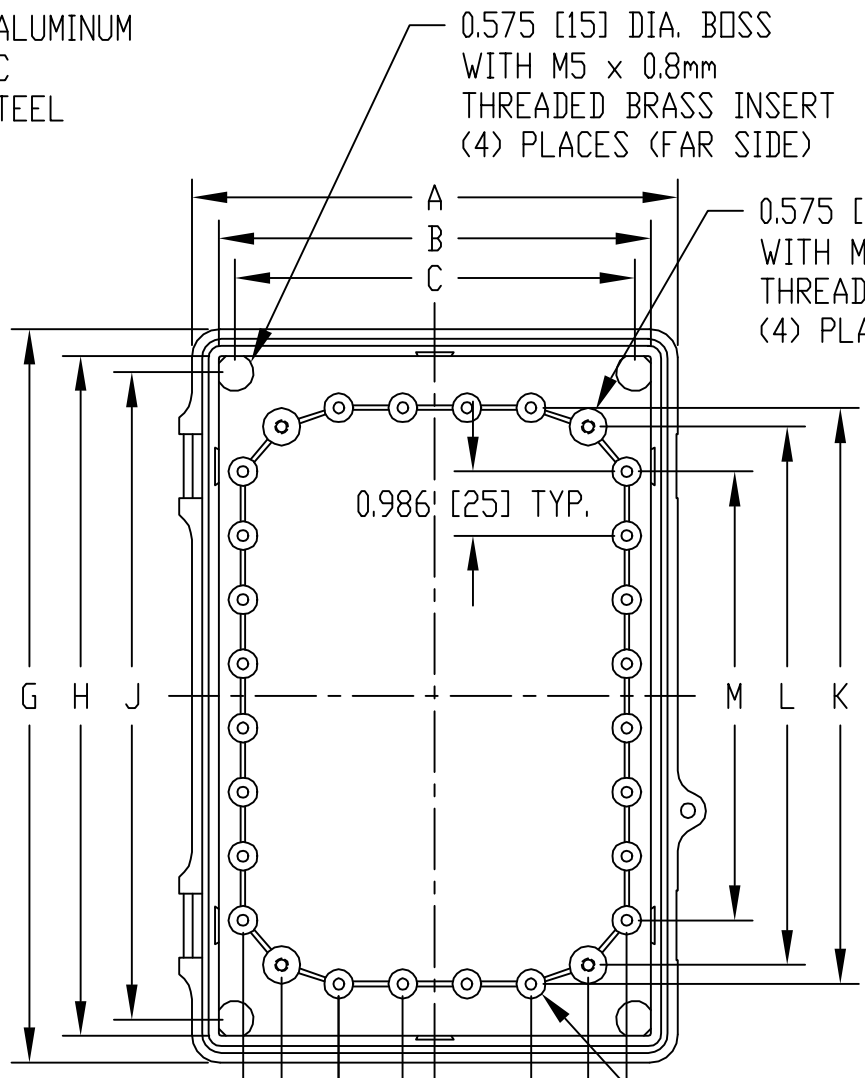
INDUSTRY STANDARDS:
 UL508 TYPE 1, 2, 4, 4X INDOOR, 12 & 13
 NEMA TYPE 1, 2, 4, 4X, 12 & 13
 IEC529-IP65

AIR AND MOISTURE VENTS, GALVANIZED STEEL INTERNAL PANEL AND STAINLESS STEEL LOCKING HASP ARE NOT INCLUDED, BUT CAN BE PURCHASED SEPARATELY.

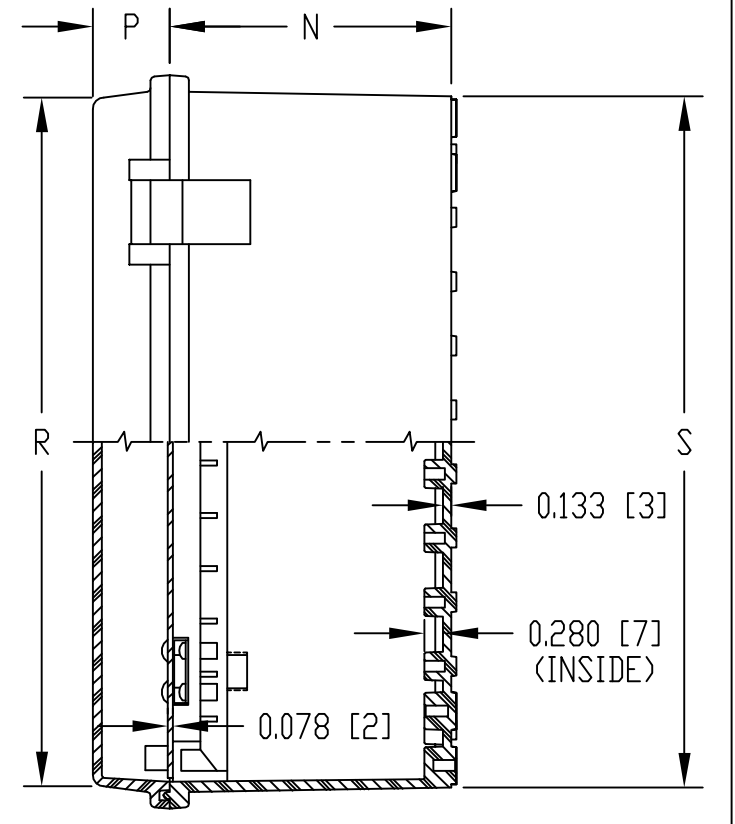
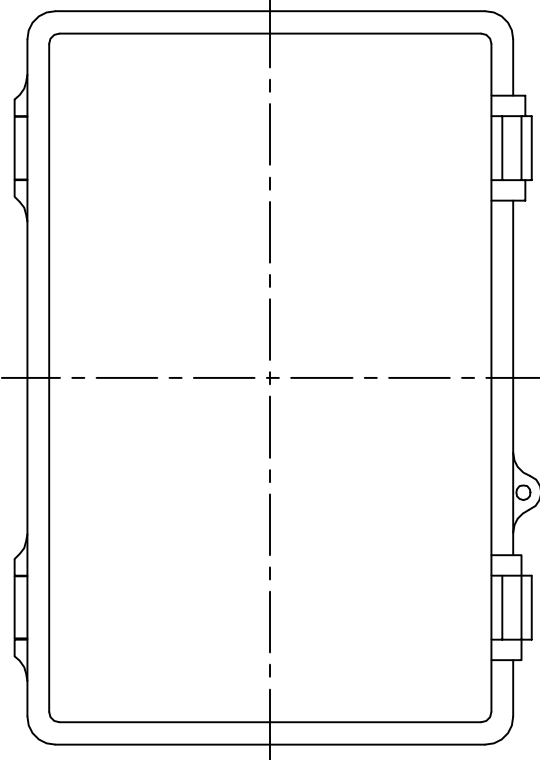
UNIT COMES COMPLETE WITH (4) WALL MOUNTING BRKTS. & (4) M5 x 10mm LG. TRUSS HD. MACHINE SCREWS (NOT SHOWN)



VIEW LESS COVER



VIEW LESS COVER AND SWINGFRAME PANEL



0.444 [11] DIA. BOSS WITH 0.170 [4] DIA. HOLE x 0.315 [8] DEEP (24) PLACES
 BOSSES ACCEPT M5 METRIC OR #10 STD. SHEET METAL SCREWS x 0.250 [6] LG. (NOT SUPPLIED)

DIMENSIONS = INCHES [MILLIMETERS]

NOTE: ALL DIMENSIONS HAVE ±0.039 [±1] TOLERANCE UNLESS OTHERWISE SPECIFIED

PART NO.		DIMENSIONS																					
SOLID COVER	CLEAR COVER	A	B	C	D	E	F	G	H	J	K	L	M	N	P	R	S	T	U	V	W	X	Y
NBE-10543	NBE-10563	7.475	6.650	6.150	5.900	4.717	2.960	11.280	10.462	9.955	8.860	8.278	6.902	4.330	1.185	10.600	10.640	6.800	6.840	6.227	5.460	10.335	9.220
		[190]	[169]	[156]	[150]	[120]	[75]	[287]	[266]	[253]	[225]	[210]	[175]	[110]	[30]	[269]	[270]	[173]	[175]	[158]	[139]	[263]	[234]