

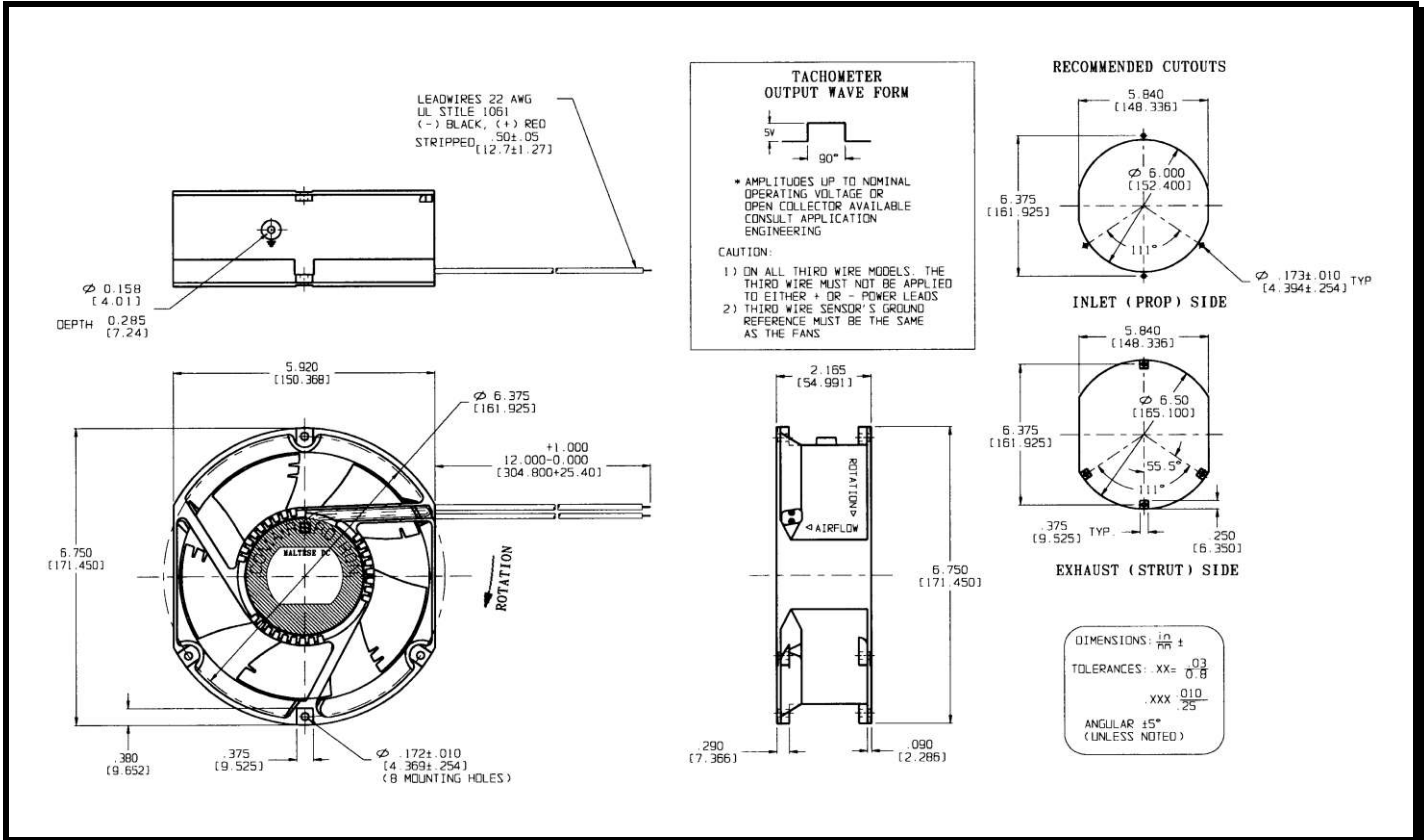
# SPECIFICATIONS



**Model Number:** MT24B4  
**Part Number:** 19031897A

**Version:** 01  
**Feb 26, 2021**

## Mechanical Drawing:



### Motor:

Nominal Voltage = 24 vdc  
 Operating Voltage Range = 12 - 28 vdc  
 Nominal Running Current = 1.70 amps  
 Max. Locked Rotor Current = 3.50 amps  
 Running Power = 35.5 watts  
 Average Speed = 3450 RPM  
 Bearings = Ball  
 Air Flow = 300 CFM  
 Acoustic = 57.1 dBA

### Construction:

Venturi: Single Piece Die-cast Aluminum, Black.  
 Propeller: Plastic, Black, UL 94V-0.

### Life Expectancy:

This fan is designed for continuous duty life of 76,000 hours at 40°C.

### Additional Features:

Brushless DC Motor  
 Electronic Locked Rotor Protected  
 Polarity Protected  
 Automatic Restart Capability  
 Operating Temperature: -10°C to 70°C  
 Storage Temperature: -40°C to 85°C

### Termination:

0.120" Terminals

### Agency Approved:

UL, CUL, CE

**PQ Curve:**

