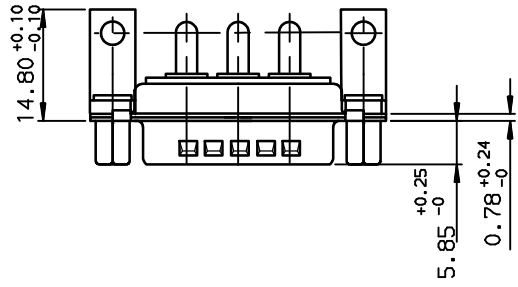
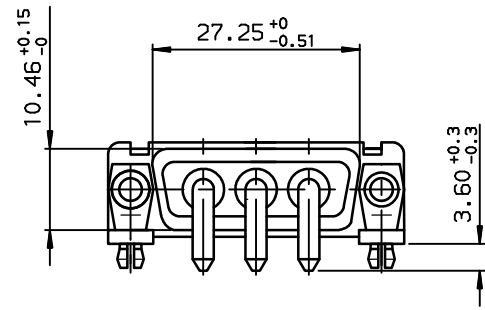
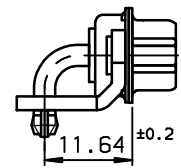
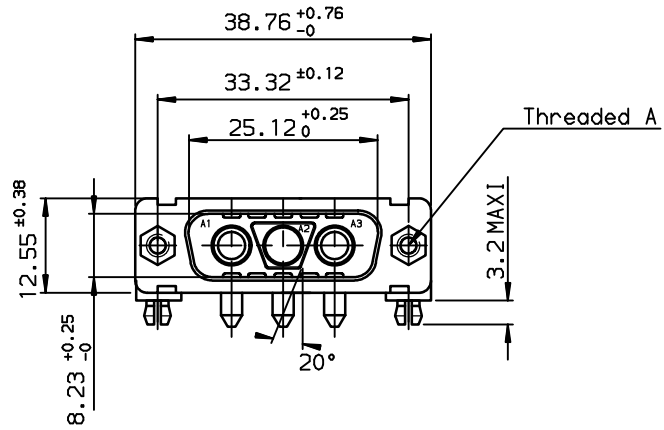
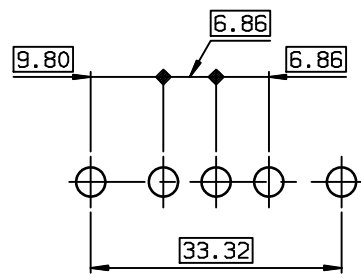


GENERAL CHARACTERISTICS : SEE DRAWING C01-8639-0001



DAI3V3P500G30	M3
DAV3V3P500G30	UNC 4.40
DAI3V3P500G40	M3
DAV3V3P500G40	UNC 4.40
PART NUMBER	Threaded A

LAYOUT DIMENSIONS (after plating)
CONNECTOR SIDE VIEW



European Views

www.fciconnect.com		surface ISO 1302 ✓	tolerance std ISO 406 ISO 1101	projection mm
		TOLERANCES UNLESS OTHERWISE SPECIFIED		size A3
Dr	JARRY	2001/01/04	0.x ±0.1	Scale 1.5
Eng	JARRY	2001/01/04	0.xx ±0.1	ECN LS06-0097
Chr	LEGARE	2001/01/04	0.xxx ±0.1	Spec ref -
Appr	LEGARE	2001/01/04	Product family D-SUB	
		PIN CONNECTOR FOR POWERS CONTACTS		Rev. no C01-8639-1792 D
catalog no		-		CUSTOMER sheet 1 of 1

rev	ecn no	dr	date
C	-	DEB	2003/09/29
D	LS06-0097	LGO	2006/07/28
-	-	-	-
-	-	-	-
-	-	-	-
-	-	-	-



Copyright FCI.