



## ANTENNA SPECIFICATIONS

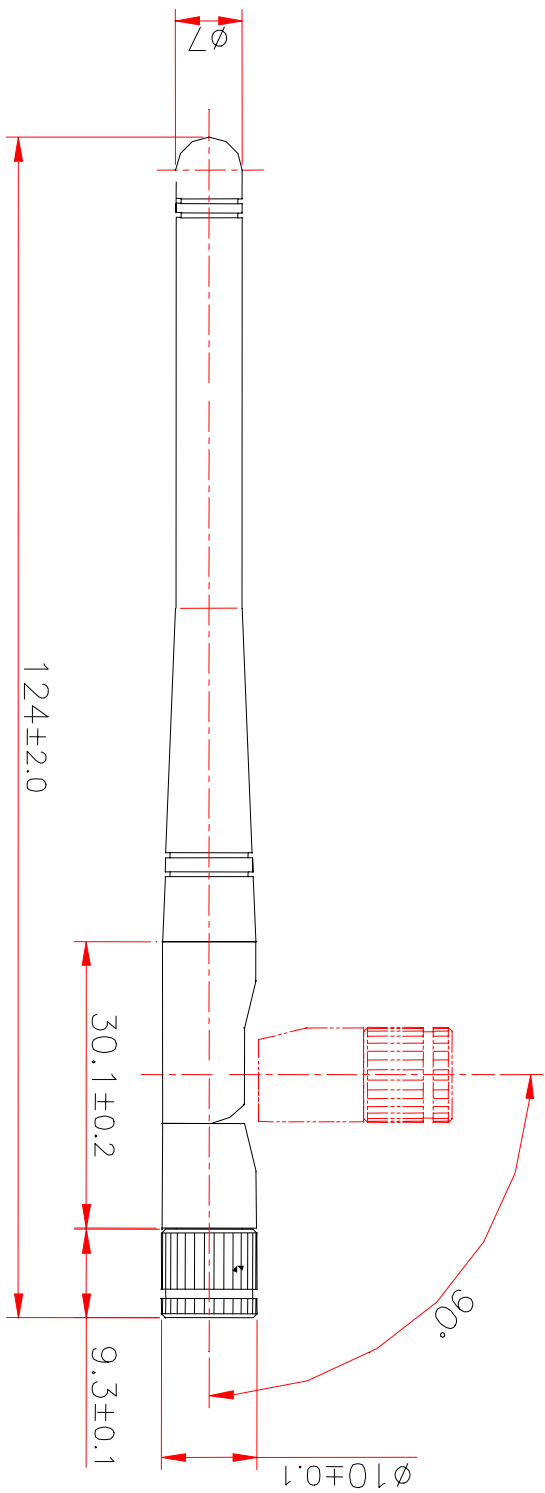
### ANT-2.4-CW-RCTA

#### 1. ELECTRICAL SPECIFICATIONS

ITEMS	SPECIFICATIONS	REMARKS
Type of Antenna	1/2 $\lambda$ Dipole Ant.	
Frequency Range	2400~2483.5 MHz	Single Band
Nominal Impedance	50 Ohms	
V.S.W.R	1.9 : 1 (max.)	
Gain	2 dBi	
Radiation	Omni-directional	
Polarization	Vertical	

#### 2. MECHANICAL SPECIFICATIONS

ITEMS	SPECIFICATIONS	REMARKS
Length	124 $\pm$ 2.0 mm	
Connector	SMA	RP-SMA available
Radiator	Copper	
Weight	12g	



Title		ANTENNA FACTOR	
2.4GHz Right Angle Antenna		575 SE ASHLEY PLACE	
Part No: ANT-2.4-CW-RCTA-XX		GRANITS PASS, OR 97526	
Revision: 1.0		PH (641)-956-0931	
Date: 3/31/06		FAX (641)-471-6251	
Dimensions:	mm	Sheet 1 of 1	

