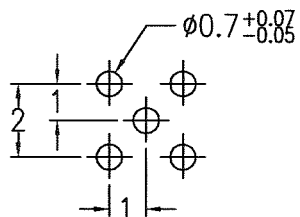
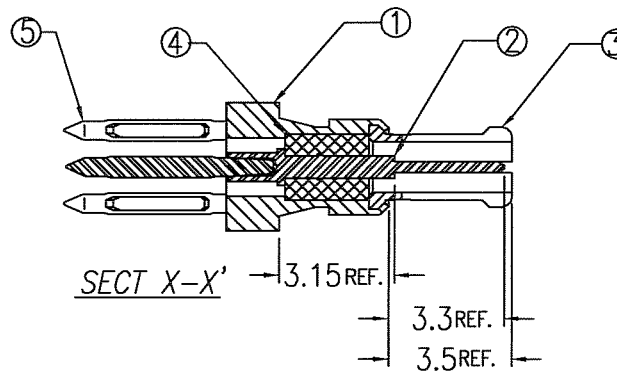


PRODUCT NUMBER

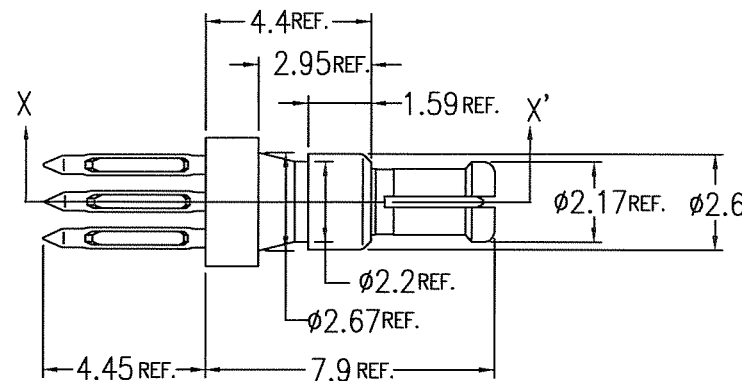
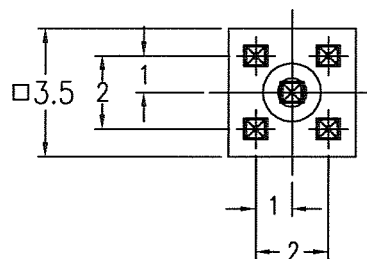
61428-001

61428-001LF

No.	DESCRIPTION	MATERIAL	FINISH	
			61428-001	61428-001LF
1	SHELL	BRASS	Au 0.05um MIN.	Au 0.05um MIN.
2	INNER CONTACT	BERYLLIUM COPPER	Au 1.27um MIN.	Au 1.27um MIN.
3	OUTER CONTACT	BERYLLIUM COPPER	Au 1.27um MIN.	Au 1.27um MIN.
4	INSULATOR	PTFE		
5	P.F. MALE PIN	PHOSPHER BRONZE	SnPb 0.50-1.5um	Sn 0.50-1.5um



RECOMMENDED PCB LAYOUT
(TOLERANCES UNLESS OTHERWISE SPECIFIED ±0.1)



NOTE

- FOR LEAD FREE P/N, THE PRODUCT MEET EUROPEAN UNION DIRECTIVES AND OTHER COUNTRY REGULATIONS AS DESCRIBED IN GS-22-008
- THE HOUSING WILL WITHSTAND EXPOSURE TO 260°C PEAK TEMPERATURE FOR 10 SECONDS IN A CONVECTION, INFRA-RED OR VAPOR PHASE REFLOW OVEN

mat'l. code				surface ISO 1302		tolerance ISO 406 ISO 1101		projection		product family METRAL		CODE JP	
---				tolerances unless otherwise specified		linear		MM		title		METRAL MINI COAX	
A RELEASED J80432 YK 10/26/'98				angles		0.X ±0.2		scale 5:1		title		MALE PRESS-FIT TO B.P.	
B REVISED J10260 YK 3/30/'01				0'±3'		0.XX ±0.2		FCI		dwg no		sheet 1 of 1 size	
C REVISED J05-0664 T.S 10/21/'05				dr		0.XXX ±0.2		T.SUKEKAWA 10/21/'05		61428		A4	
D REVISED J07-0030 SD 1/18/'07				enr		S.OKUDAIRA 1/18/'07		chr		R. Shouji 1/18/'07		type	
sheet index				revision sheet		D 1		appd		S. Okudaira 1/18/07		Customer Drawing	
Rev. D													