

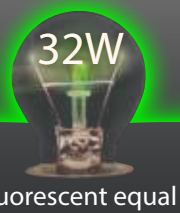


Que-2-TXT™
Questions?
scan to text us fast



F18 PLASTIC LED SIGN RETROFIT LAMP

DOUBLE SIDE LIT, HIGH BRIGHTNESS



specifications

Voltage	CRI	BASE	Lens	Heat Sink	L70 hours	Ambient Temp (F)	Power Factor	IP Rating	THC	Beam Angle
⚡ 100-277 V	83	R17D	double-side plastic	aluminum	50,000	-22°- 131°	>0.9	IP 64 except for base	<15%	360°

select your lamp

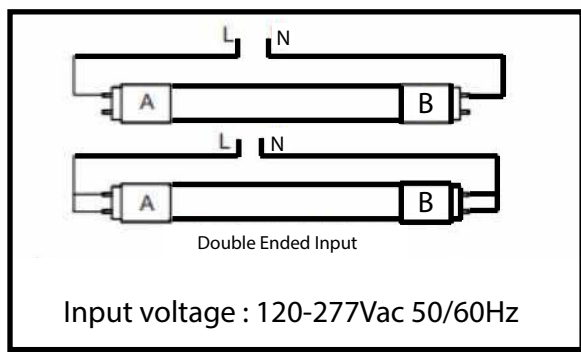
Part Number	Color Temp	Consumption	Lumen Output	Efficacy	Length (pin to pin)	Diameter
GH-F18T10-CC32-R17D4	6000K	9W	1,170	130 lm / w	15.91"	1.28"

Warranty	Weight	Case QTY
6 years	0.66 lbs	10 pcs

- ### Features
- ▶ Rotatable base
 - ▶ Rated for fully enclosed fixtures
 - ▶ 50,000 hour LED lifespan based on IES LM-80 results and TM-21 calculations
 - ▶ Double-side powered
 - ▶ Designed for double sided signs
 - ▶ Replaces F18T12/HO lamps



Installation Diagram



/greenignite
@greenignite



www.greenignite.com



info@greenignite.com



1-877-560-3779