



## General Specifications

### Motor Protection:

Auto Restart/Polarity Protection

### Insulation Resistance:

10M Ω or over with a DC500V Megger

### Dielectric Withstand Voltage: AC 700V 1s

### Allowable Ambient Temperature Range:

-10°C ~ +60°C (Operating)

-40°C ~ +60°C (Storage)

(non-condensing environment)

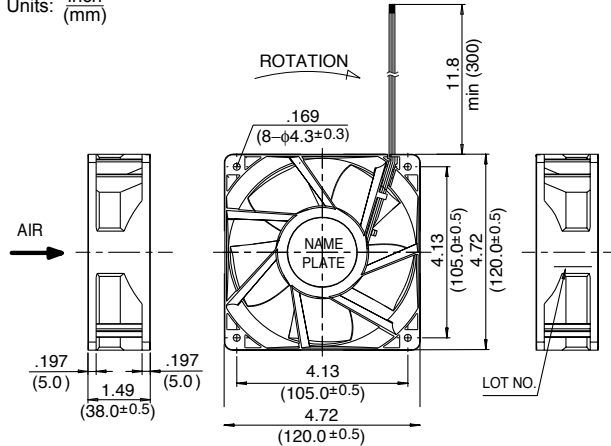
## Expected Life

### Failure Rate: 10%

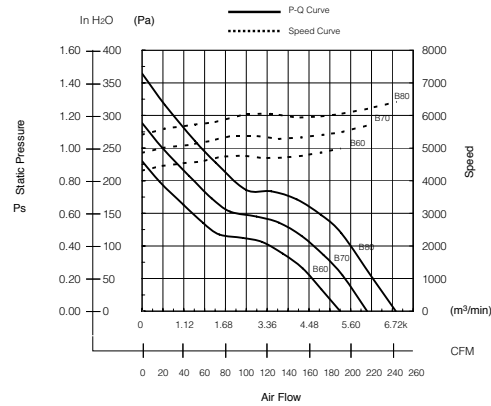
25°C 100,000 Hours (E00)

## Outline

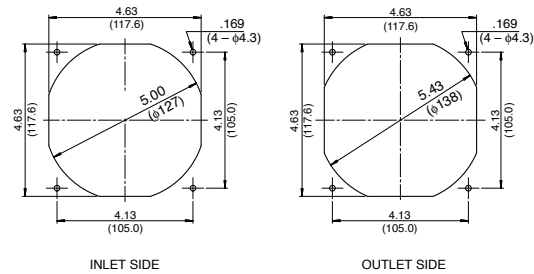
Units:  $\frac{\text{inch}}{\text{mm}}$



## Characteristic Curves



## Panel Cut-outs



## Material

Casing : Plastic (Black) 94V-0

Impeller : Plastic (Black) 94V-0

Bearing : Ball Bearing

Lead Wire: UL1061, AWG24, +Red, -Black

## Specifications

MODEL	Product No.	Rated Voltage	Operating Voltage	Current	Input Power	Speed	Max. Air Flow		Max. Static Pressure		Noise	Mass
		(V)	(V)	(A) <sup>*1</sup>	(W) <sup>*1</sup>	(min <sup>-1</sup> ) <sup>*1</sup>	CFM <sup>*1</sup>	(m <sup>3</sup> /min) <sup>*1</sup>	in H <sub>2</sub> O	(Pa) <sup>*1</sup>	(dB) <sup>*1</sup>	(g)
4715VL-04W-B60-	EXX	12	10.0 ~ 13.8	1.50	18.00	5000	189.9	5.38	0.92	229	59.5	370
4715VL-04W-B70-	EXX	12	10.0 ~ 13.8	2.25	27.00	5700	215.7	6.11	1.15	287	63.0	370
4715VL-04W-B80-	EXX	12	10.0 ~ 12.6	3.00	36.00	6400	243.2	6.89	1.46	363	66.0	370
4715VL-05W-B50-	EXX	24	18.0 ~ 27.6	0.76	18.24	4700	182.5	5.17	0.83	207	55.5	370
4715VL-05W-B60-	EXX	24	18.0 ~ 27.6	0.74	17.76	5000	189.9	5.38	0.92	229	59.5	370
4715VL-05W-B70-	EXX	24	18.0 ~ 27.6	1.04	24.96	5700	215.7	6.11	1.15	287	63.0	370
4715VL-05W-B80-	EXX	24	18.0 ~ 27.6	1.48	35.52	6400	243.2	6.89	1.46	363	66.0	370
4715VL-07W-B50-	EXX	48	40.0 ~ 52.8	0.37	17.80	4700	182.5	5.17	0.83	207	55.5	370
4715VL-07W-B60-	EXX	48	40.0 ~ 55.2	0.45	21.60	5000	189.9	5.38	0.92	229	59.5	370
4715VL-07W-B70-	EXX	48	40.0 ~ 55.2	0.60	28.80	5700	215.7	6.11	1.15	287	63.0	370
4715VL-07W-B80-	EXX	48	40.0 ~ 52.0	0.80	38.40	6400	243.2	6.89	1.46	363	66.0	370

Rotation: Clockwise

Airflow Outlet: Air Out Over Struts

\*1: Average Values in Free Air