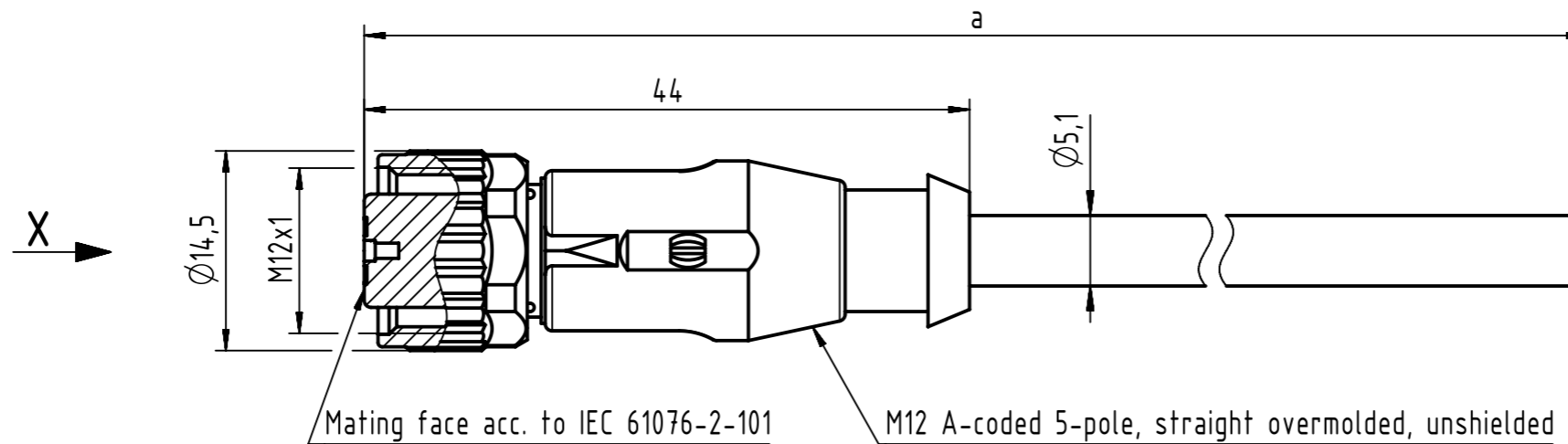


Connector Location A

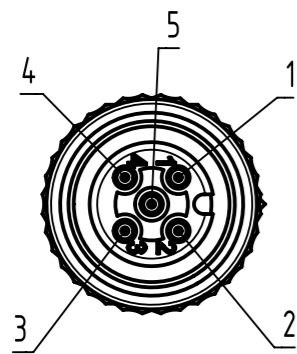
Connector Location B



E500416

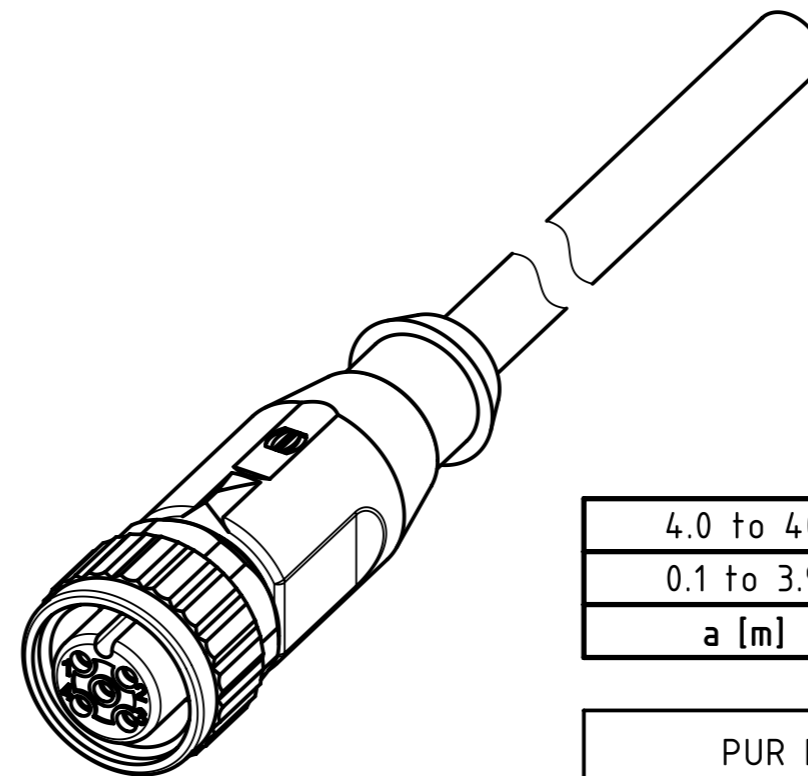


X female



Loading-Plan:

- 1 brown
- 2 white
- 3 blue
- 4 black
- 5 green-yellow



- Protection level: IP67
- Temperature range: -25°C ... +80°C

length in "1m" step	40	XXX=40
	39	XXX=39
	.	.
	12	XXX=120
	11	XXX=110
length in "0.1m" step	10	XXX=100
	9.9	XXX=099
	9.8	XXX=098
	.	.
	0.4	XXX=004
	0.3	XXX=003
	0.2	XXX=002
	0.1	XXX=001
Step	a [m]	XXX

4.0 to 40	±1%
0.1 to 3.9	+0.04
a [m]	Tolerance

PUR black, 5x0.34mm ²	21348500592XXX
Type of cable	Part no.

	All Dimensions in mm	Tech. Character.		Free size tol.		According to production drawing	
	All rights reserved	Created by COSTEA Costea	Inspected by MUNTEANV Muntean	Standardisation MUNTEANV Muntean	Date 2019-01-14	State Final Release	
	Department HCS - RO	Title M12 Cable Assembly A-cod st/- f/-				Doc-Key / ECM-Nr. 100806517/UGD/009/A 500000145014	
HARTING Customised Solutions D-32339 Espelkamp		Type TB	Number 21348500592XXX			Rev. A	Page 1/1