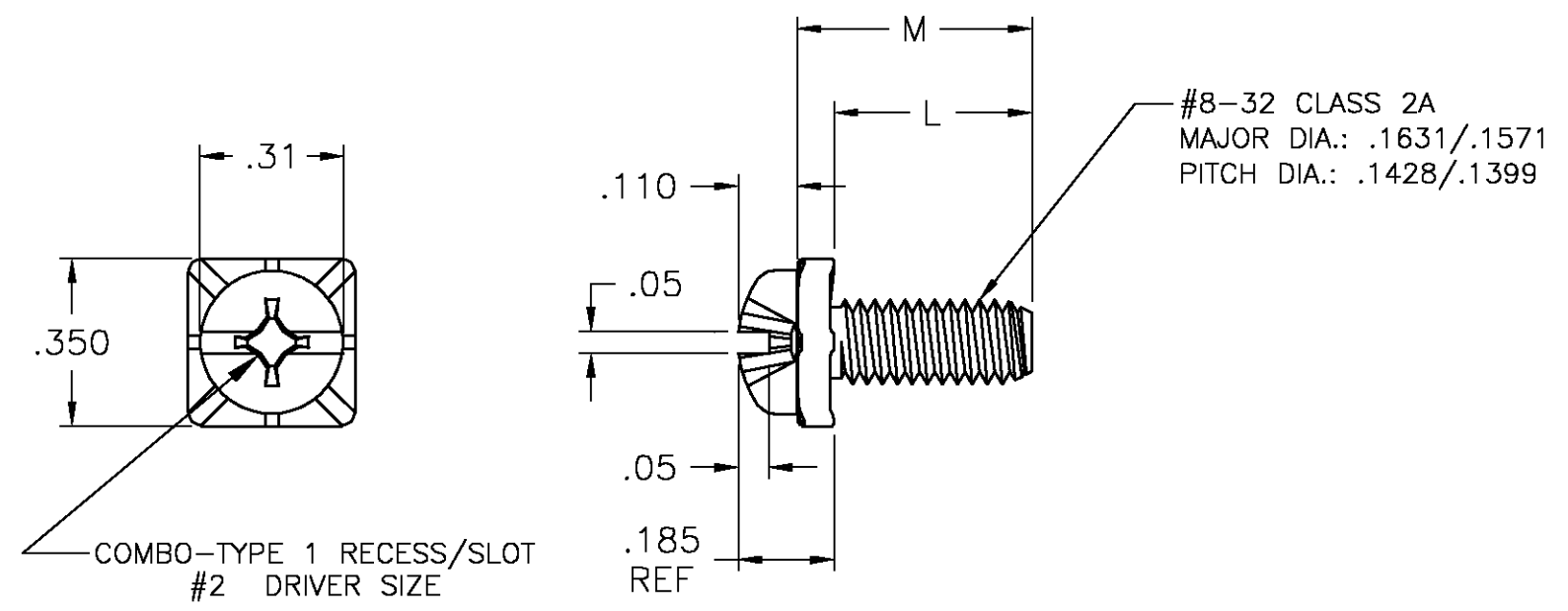


THIS DRAWING IS UNPUBLISHED. RELEASED FOR PUBLICATION
 © COPYRIGHT BY TYCO ELECTRONICS CORPORATION. ALL RIGHTS RESERVED.

LOC	DIST	REVISIONS			
P	LTR	DESCRIPTION	DATE	DWN	APVD
FT	0	0	REVISED EC 0G3B-0100-04	2/6/04	SS SRY



ZINC W/ CLR CHROMATE	STEEL	.360 REF	.300/.270	3-1437644-1
NICKEL PLATE	BRASS	.360 REF	.300/.270	3-1437644-0
FINISH	MATERIAL	M	L	TYCO PART #

THIS DRAWING IS A CONTROLLED DOCUMENT.		DWN S. SCHLEGEL 2/6/04	BUCHANAN Tyco Electronics Corporation Harrisburg, Pa 17105-3608	
DIMENSIONS: INCHES		CHK S. YODER 2/6/04		
		APVD S. YODER 2/6/04	NAME #8-32 COMBO TYPE 1/SLOTTED PAN HEAD SQUARE WASHER SEMS MACHINE SCREW	
TOLERANCES UNLESS OTHERWISE SPECIFIED:		PRODUCT SPEC	RESTRICTED TO	
0 PLC ± -		APPLICATION SPEC	SIZE	CAGE CODE
1 PLC ± -		WEIGHT	A3	00779
2 PLC ± .02		CUSTOMER DRAWING	DRAWING NO C-1546185	
3 PLC ± .010		SCALE	SHEET 1 OF 1	
4 PLC ± -		SCALE	REV 0	
ANGLES ± -		SCALE	REV 0	
FINISH		SCALE	REV 0	
-		SCALE	REV 0	