

6

5

4

3

2

1

E

E

D

D

C

C

B

B

A

A

6

5

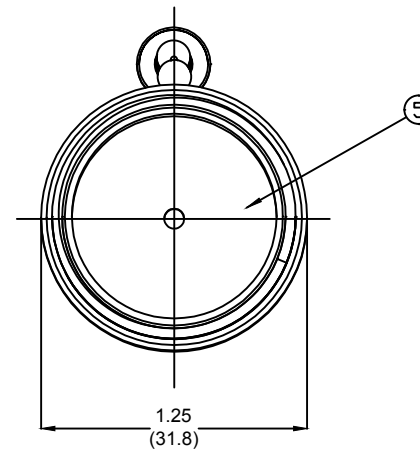
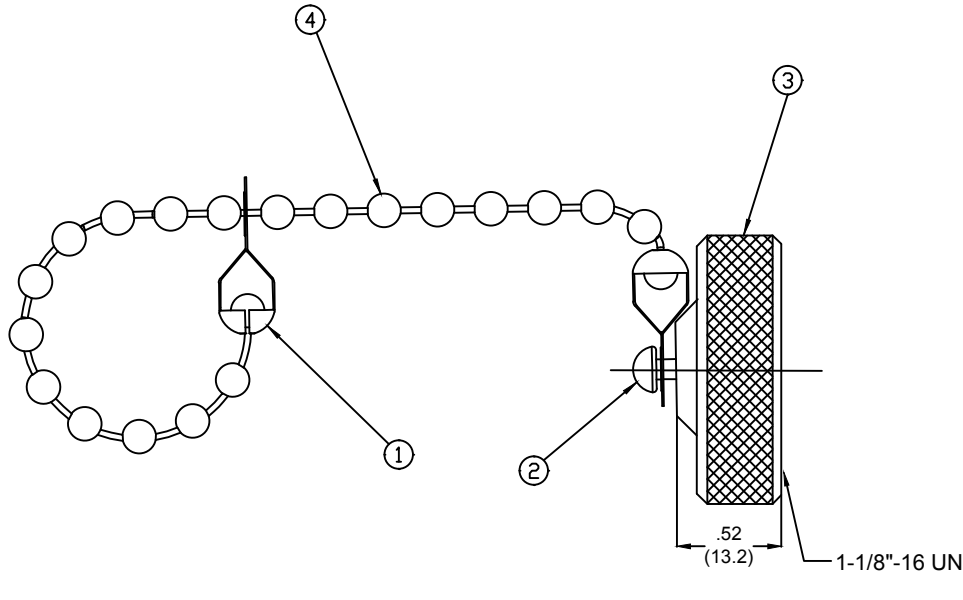
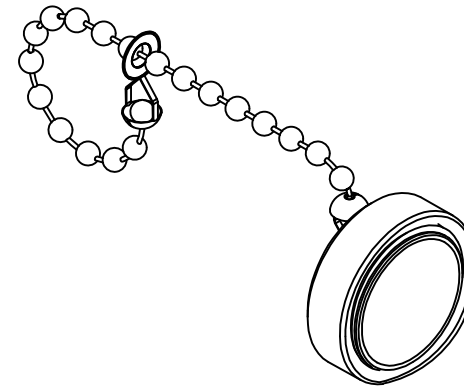
4

3

2

1

PART NUMBER	OLD PART NUMBER
1302011120	65-0105



-	COMPONENT	MATERIAL	FINISH
1	BEAD CHAIN FITTING (1/8IN.)	STEEL	NICKEL PLATED
2	.187 SCREW	STAINLESS STEEL	PASSIVATED
3	CLOSURE CAP	ALUMINUM	CLEAR ANNOXIDIZE
4	BEAD CHAIN	STEEL	NICKEL PLATED
5	GASKET	NEOPRENE	BLACK

WAS ZINC DIE-CAST, BLACK
 EC NO: IFC2018-0362
 DRWN: RSTONE 1/24/18
 CHKD: M ZIELIN 2018/01/26
 APPR: BWOODMAN 2009/09/11

DESCRIPTION
 QUALITY SYMBOLS
 ▽=0
 ▽C=0

GENERAL TOLERANCES (UNLESS SPECIFIED)

	mm	INCH
4 PLACES	±---	±---
3 PLACES	±---	±---
2 PLACES	±---	±.010
1 PLACE	±---	±---

ANGULAR ±1/2°

DRAFT WHERE APPLICABLE MUST REMAIN WITHIN DIMENSIONS

DIMENSION STYLE IN/MM

DRAWN BY DATE
 TVICKERS 2009/08/21

CHECKED BY DATE
 B.WOODMA 2009/08/21

APPROVED BY DATE
 JFMURPHY 2009/09/11

MATERIAL NO.

SEE CHART

SIZE A

SCALE 1:1

DESIGN UNITS INCH

THIRD ANGLE PROJECTION

TITLE
 CLOSURE CAP ASSEMBLY, C-SIZE

MOLEX INCORPORATED

DOCUMENT NO. SD-130201-0234

SHEET NO. 1 OF 1

THIS DRAWING CONTAINS INFORMATION THAT IS PROPRIETARY TO MOLEX INCORPORATED AND SHOULD NOT BE USED WITHOUT WRITTEN PERMISSION