

## UMK-SE 11,25-1

Order No.: 2970442

The illustration shows a combination of versions UMK SE 11,25, UMK BE 11,25,- 22,5, -45 and UMK-FE



<http://eshop.phoenixcontact.de/phoenix/treeViewClick.do?UID=2970442>

Side element, 11.25 mm wide, without marker groove

### Commercial data

EAN	4017918087722
Pack	50 pcs.
Customs tariff	85369010
Weight/Piece	0.005658 KG
Catalog page information	Page 610 (CC-2009)

### Product notes

WEEE/RoHS-compliant since:  
01/01/2003

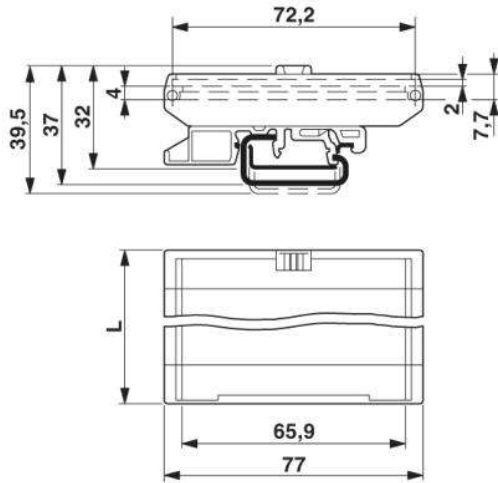


<http://www.download.phoenixcontact.com>  
Please note that the data given here has been taken from the online catalog. For comprehensive information and data, please refer to the user documentation. The General Terms and Conditions of Use apply to Internet downloads.

## Diagrams/Drawings

Dimensioned drawing

---



UMK-SE 11,25-1 Order No.: 2970442

<http://eshop.phoenixcontact.de/phoenix/treeViewClick.do?UID=2970442>

---

**Address**

PHOENIX CONTACT Deutschland GmbH  
Flachmarktstr. 8  
32825 Blomberg, Germany  
Phone +49 5235 3 12000  
Fax +49 5235 3 41200  
<http://www.phoenixcontact.de>



© 2010 Phoenix Contact  
Technical modifications reserved;