

THIS DRAWING IS UNPUBLISHED.

RELEASED FOR PUBLICATION

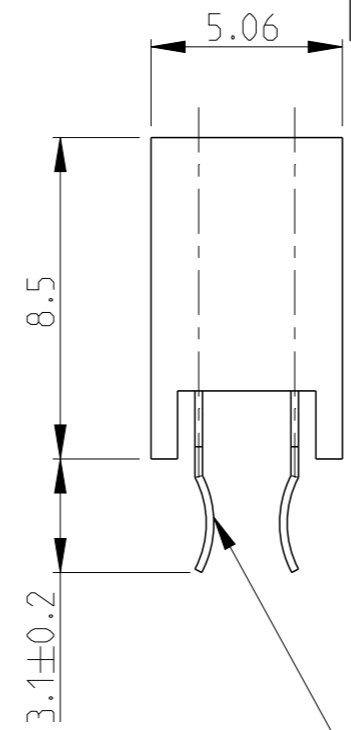
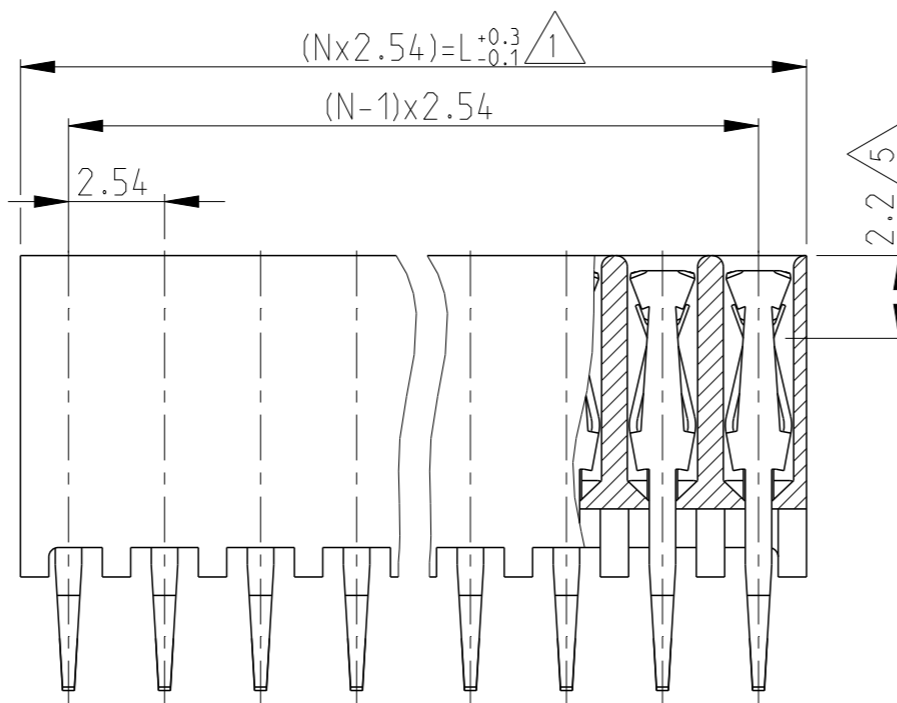
20

REVISIONS

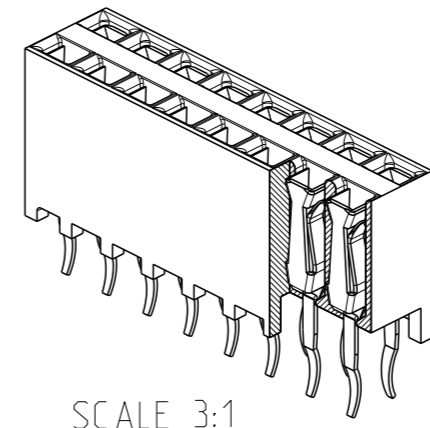
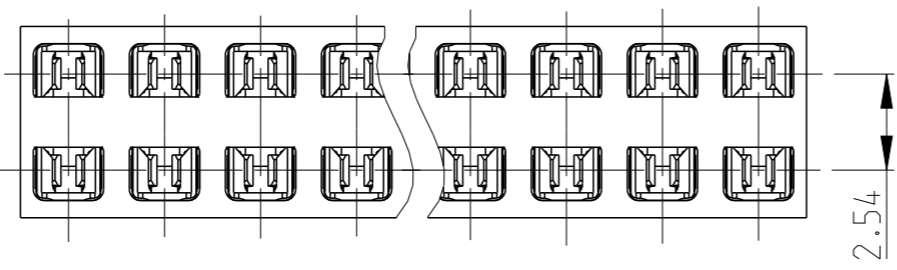
© COPYRIGHT 20 BY - ALL RIGHTS RESERVED.

P	LTR	DESCRIPTION	DATE	DWN	APVD
G		PLASTIC MATERIAL SUPPLIER CHANGE	02JAN2019	KJK	PS

POS. PER ROW 'N'	L	PART NUMBER	
2	5.08	215310-2	
3	7.62	-3	OBSOLETE
4	10.16	-4	
5	12.70	-5	
6	15.24	-6	OBSOLETE
7	17.78	-7	
8	20.32	-8	OBSOLETE
9	22.86	-9	
10	25.40	1-	-0
11	27.94	1-	-1
12	30.48	1-	-2
13	33.02	1-	-3
14	35.56	1-	-4
15	38.10	1-	-5
16	40.64	1-	-6
17	43.18	1-	-7
18	45.72	1-	-8
19	48.26	1-	-9
20	50.80	2-	-0
21	53.34	2-	-1
22	55.88	2-	-2
23	58.42	2-	-3
24	60.96	2-	-4
25	63.50	2-	-5
26	66.04	2-	-6
27	68.58	2-	-7
28	71.12	2-	-8
29	73.66	2-	-9
30	76.2	3-	-0
31	78.74	3-	-1
32	81.28	3-	-2
33	83.82	3-	-3
34	86.36	3-	-4
35	88.90	3-	-5
36	91.44	3- 215310	-6

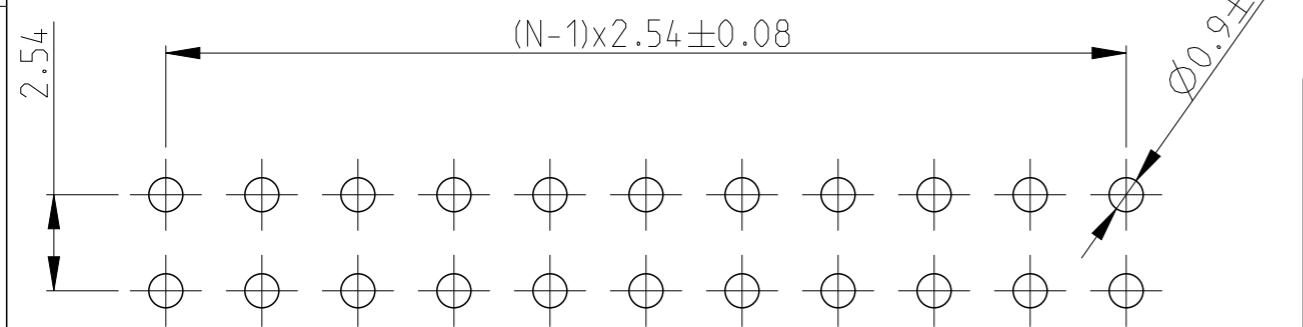


- NOTES:
- 1 TO DETERMINE DIMENSIONS TAKE 2xN = NR. OF POS.
FOR EXAMPLE: 2x10 POS; N x 2.54= 25.4mm
FOR ORDER NO: USE BASIC - NR. + NR. OF POS.
FOR EXAMPLE: 2x2POS. = 215310-2 (SHORTEST VERSION)
2x36POS. =3-215310-6 (LONGEST VERSION)
 - 2 HOUSING MATERIAL: PBT GREEN GLASS FILLED, UL 94V-0
CONTACT MATERIAL: PHOSPHOR BRONZE
 - 3 PLATING 2.5-4.0 μm TIN OVER 0.5 μm NICKEL
 - 4 MATES WITH 0.63 SQUARE/ROUND MODU POSTS
 - 5 CONTACT POINT
 - 6 RECOMMENDED PC BOARD THICKNESS: 1.6mm
 - 7 PC-BOARD RETENTION FEATURE
 - 8 HV100 CONNECTOR PACKED IN ANTI-STATIC BLISTER TRAY
 - 9 OBSOLETE PARTS: OBSOLETE CIS STREAMLINING PER D.RENAUD/D. SINISI



SCALE 3:1

RECOMMENDED PCB LAYOUT



THIS DRAWING IS A CONTROLLED DOCUMENT.		DWN L.V.D. HEYDEN	09 JULY 1986		STE TE Connectivity
DIMENSIONS: mm		CHK W. SIMONS	-		
TOLERANCES UNLESS OTHERWISE SPECIFIED: ±0.15		APVD L.V. SOEST	-		NAME HV100 CONNECTOR VERTICAL, 8.5mm TOP ENTRY, DUAL ROW, TIN
0 PLC ± 1 PLC ± 2 PLC ± 3 PLC ± 4 PLC ± ANGLES ±		PRODUCT SPEC 108-19056	-		SIZE A3
MATERIAL SEE NOTE 2		FINISH SEE NOTE 3	-		CAGE CODE 00779
		WEIGHT -	-		DRAWING NO C=215310
		CUSTOMER DRAWING		SCALE 5:1	SHEET 1 OF 1
				RESTRICTED TO -	REV G