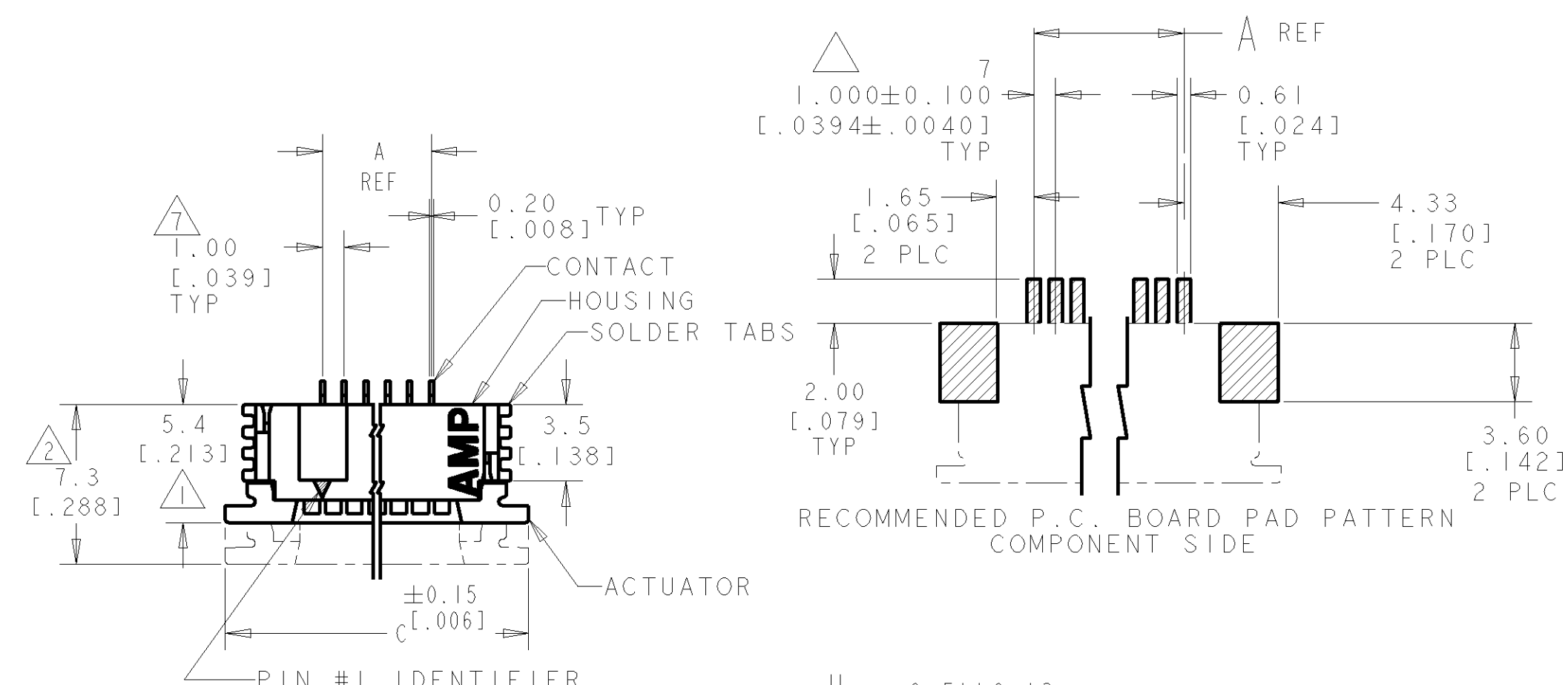
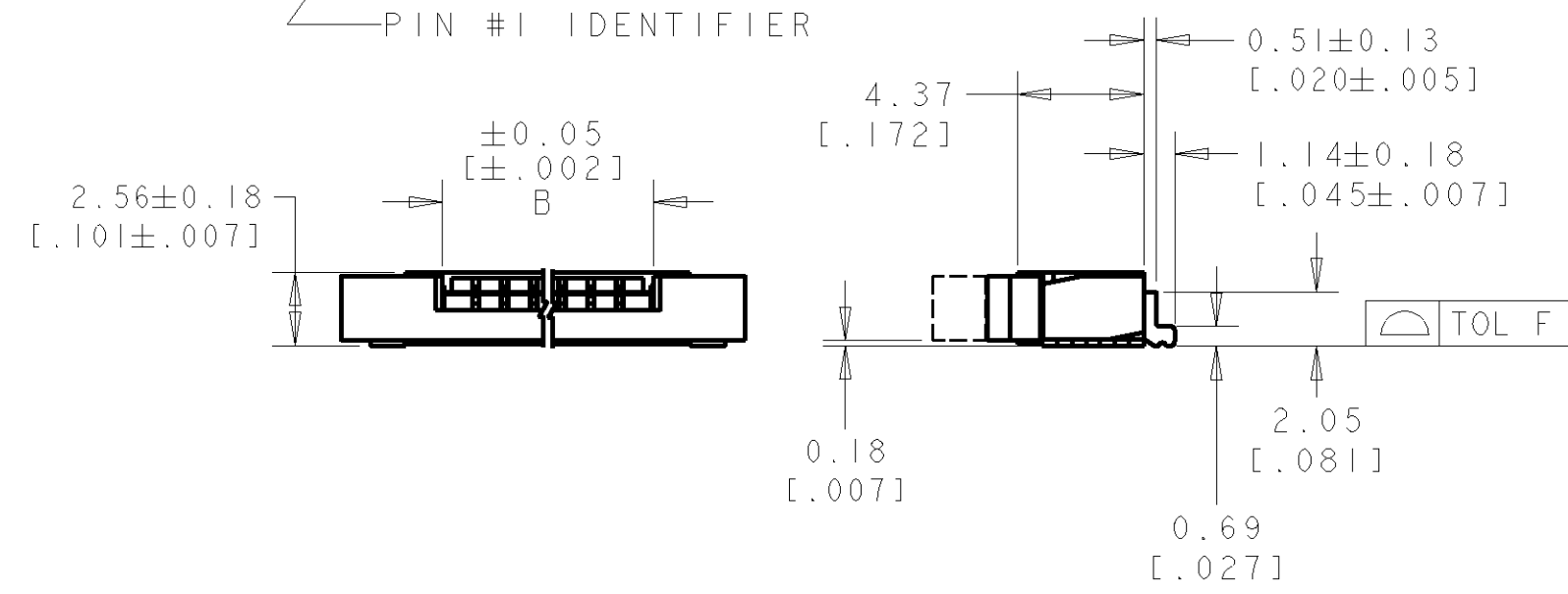


LOC		DIST		REV		REVISIONS			DATE	APPD
ZONE	LTR	DESCRIPTION	DATE	APPD						
DY	-					J3	REVISED PER ECO-11-005139	19MAR11	HMR	

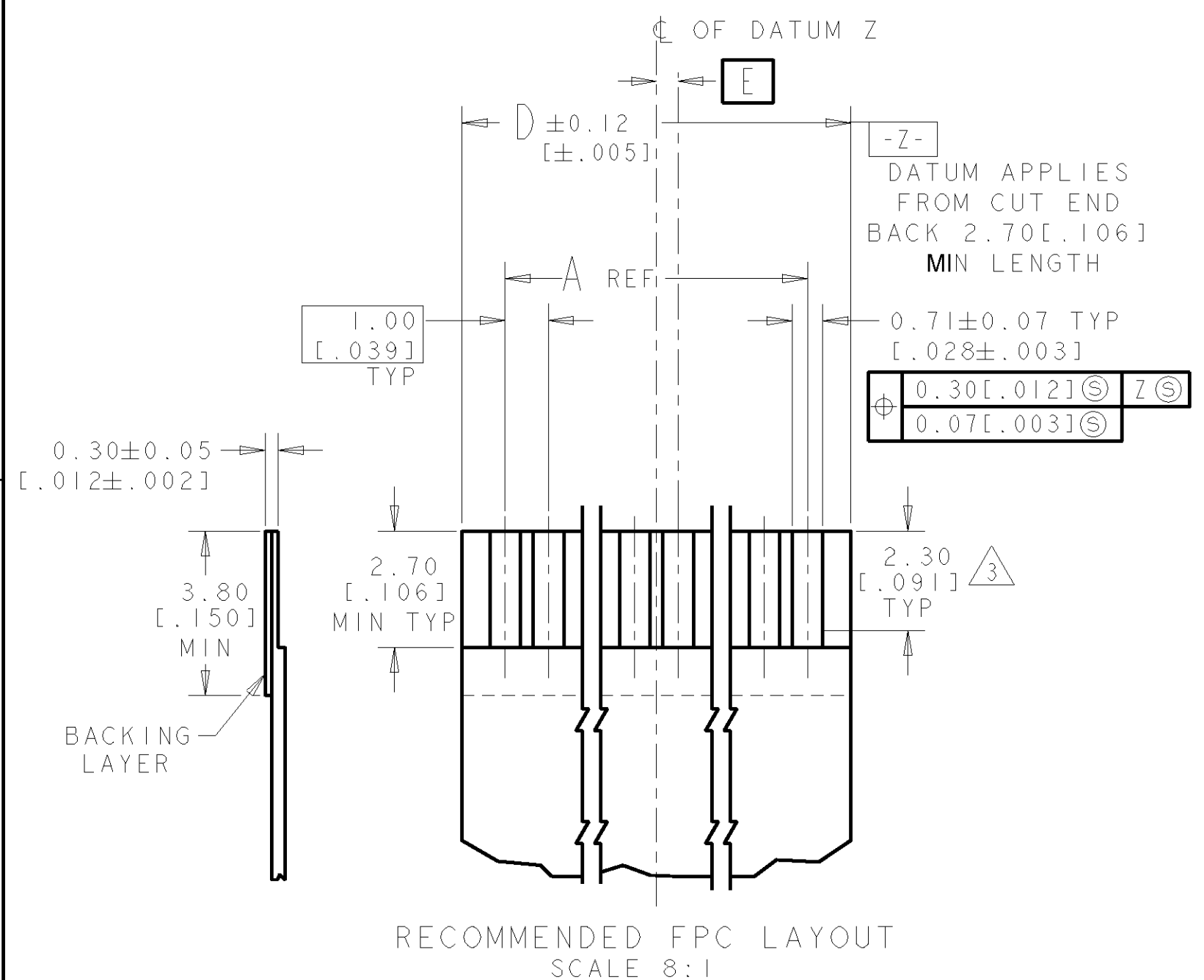


- 1. DIMENSION APPLIES WHEN ACTUATOR IS IN CLOSED POSITION.
- 2. DIMENSION APPLIES WHEN ACTUATOR IS IN OPEN POSITION.
- 3. MAXIMUM ENGAGEMENT LENGTH TO CONTACT POINT.
- 4. 0.0038[.000150] MIN. TIN/LEAD OVER 0.0013[.000050] MIN. NICKEL.
- 5. 0.0013[.000050] MIN. TIN.
- 6. PACKAGE PER EIA 481 SPECIFICATION.
- 7. TOLERANCE NON-CUMULATIVE.
- 8. MATERIAL: CONTACT: PHOSPHOR BRONZE.
SOLDER TABS: PHOSPHOR BRONZE.
HOUSING: GLASS REINFORCED POLYESTER (LCP), UL 94V-0, COLOR-NATURAL.
ACTUATOR: GLASS REINFORCED NYLON (PPA), UL 94V-0 OR GLASS REINFORCED PPS, UL 94V-0, COLOR-BLACK.



9. OBSOLETE PARTS: OBSOLETE CIS STREAMLINING PER D.RENAUD/D.SINISI

	F	E	D	C	B	A	POS	PART NO
9. OBSOLETE	.50	31.00 [1.221]	37.92 [1.492]	31.18 [1.228]	29.0 [1.142]	30	3-	487951-0
	-	30.00 [1.181]	36.92 [1.454]	30.18 [1.188]	28.0 [1.102]	29	2-	487951-0
9. OBSOLETE	.50	29.00 [1.142]	35.92 [1.414]	29.18 [1.149]	27.0 [1.063]	28	2-	487951-8
	-	28.00 [1.102]	34.92 [1.375]	28.18 [1.109]	26.0 [1.024]	27	2-	487951-7
9. OBSOLETE	.50	27.00 [1.063]	33.92 [1.335]	27.18 [1.070]	25.0 [0.984]	26	2-	487951-6
	-	26.00 [1.024]	32.92 [1.296]	26.18 [1.031]	24.0 [0.945]	25	2-	487951-5
9. OBSOLETE	.50	25.00 [0.984]	31.92 [1.257]	25.18 [0.991]	23.0 [0.906]	24	2-	487951-4
	-	24.00 [0.945]	30.92 [1.217]	24.18 [0.952]	22.0 [0.866]	23	2-	487951-3
9. OBSOLETE	.50	23.00 [0.906]	29.92 [1.179]	23.18 [0.913]	21.0 [0.827]	22	2-	487951-2
	-	22.00 [0.866]	28.92 [1.139]	22.18 [0.873]	20.0 [0.787]	21	2-	487951-1
9. OBSOLETE	.50	21.00 [0.827]	27.92 [1.099]	21.18 [0.834]	19.0 [0.748]	20	2-	487951-0
	-	20.00 [0.787]	26.92 [1.060]	20.18 [0.794]	18.0 [0.709]	19	1-	487951-0
9. OBSOLETE	.50	19.00 [0.748]	25.92 [1.020]	19.18 [0.755]	17.0 [0.669]	18	1-	487951-8
	-	18.00 [0.709]	24.92 [0.981]	18.18 [0.716]	16.0 [0.630]	17	1-	487951-7
9. OBSOLETE	.50	17.00 [0.669]	23.92 [0.942]	17.18 [0.676]	15.0 [0.591]	16	1-	487951-6
	-	16.00 [0.630]	22.92 [0.902]	16.18 [0.637]	14.0 [0.551]	15	1-	487951-5
9. OBSOLETE	.50	15.00 [0.591]	21.92 [0.863]	15.18 [0.598]	13.0 [0.512]	14	1-	487951-4
	-	14.00 [0.551]	20.92 [0.824]	14.18 [0.558]	12.0 [0.472]	13	1-	487951-3
9. OBSOLETE	.50	13.00 [0.512]	19.92 [0.784]	13.18 [0.519]	11.0 [0.433]	12	1-	487951-2
	-	12.00 [0.472]	18.92 [0.745]	12.18 [0.480]	10.0 [0.394]	11	1-	487951-1
9. OBSOLETE	.50	11.00 [0.433]	17.92 [0.705]	11.18 [0.440]	9.0 [0.354]	10	1-	487951-0
	-	10.00 [0.394]	16.92 [0.666]	10.18 [0.401]	8.0 [0.315]	9		487951-9
9. OBSOLETE	.50	9.00 [0.354]	15.92 [0.627]	9.18 [0.361]	7.0 [0.276]	8		487951-8
	-	8.00 [0.315]	14.92 [0.587]	8.18 [0.322]	6.0 [0.236]	7		487951-7
9. OBSOLETE	.50	7.00 [0.276]	13.92 [0.548]	7.18 [0.283]	5.0 [0.197]	6		487951-6
	-	6.00 [0.236]	12.92 [0.509]	6.18 [0.243]	4.0 [0.157]	5		487951-5
9. OBSOLETE	.50	5.00 [0.197]	11.92 [0.469]	5.18 [0.204]	3.0 [0.118]	4		487951-4



DO NOT SCALE PRINT. UNLESS SPECIFIED DIMENSIONS IN mm [INCHES] TOLERANCES ON: 1 PL DEC ± 0.2 [0.008] 2 PL DEC ± 0.1 [0.004] ANGLES ±

DR 4-27-92 ED FICKES
 CHK 4-27-92 J CONSOLI
 APPD 5-4-92 R.KILE

APPD SF LEONG
 PRODUCT SPEC 108-1393

NAME 1 mm FPC CONNECTOR, HORIZONTAL, SURFACE-MOUNT, TOP CONTACT

FINISH CONTACTS: 4 SOLDER TABS: 5

APPLICATION SPEC 114-1072
 WEIGHT

SIZE A2
 CAGE CODE 00779
 DRAWING NO 487951
 REV J3

SCALE 4:1
 SHEET 1 OF 1