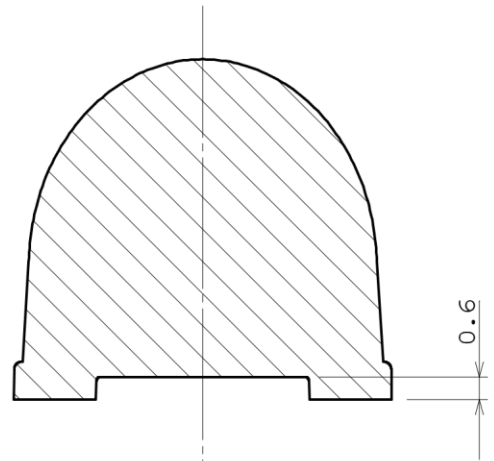
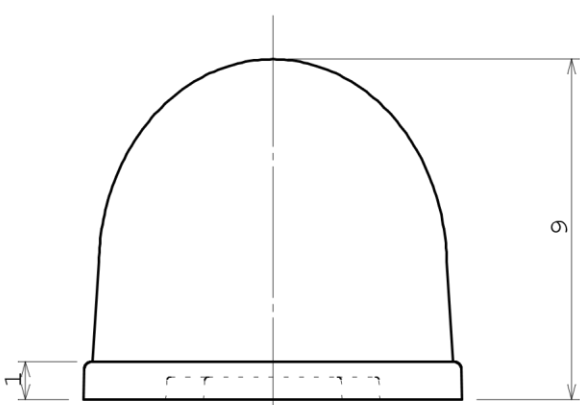
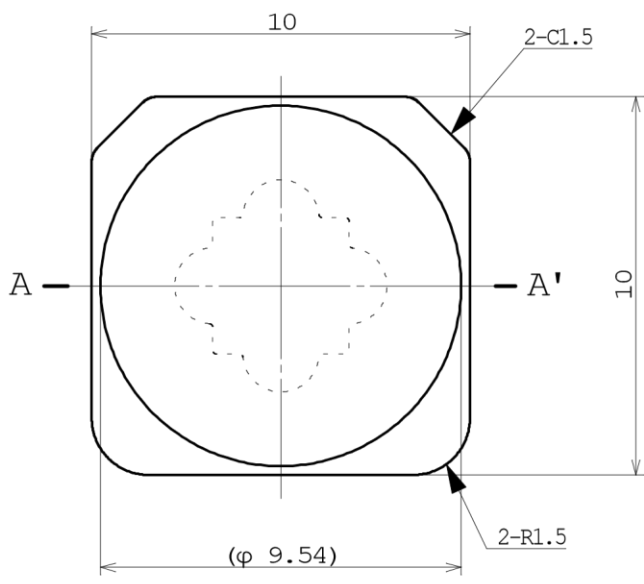
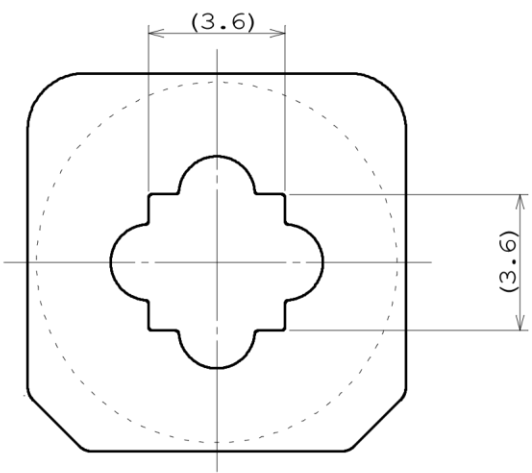


O	SPECIFICATIONS ＜仕様図＞	SURFACE TREATMENT ＜表面処理＞	SYM	DATE	REVISION	REVR	APPR
	REFERENCE ＜参考図＞	HEAT TREATMENT ＜熱処理＞	△ <sup>x</sup>				
		FINISH ＜仕上げ＞	△ <sup>2</sup> △ <sup>3</sup>				



A-A'断面  
A-A' Section



NOTE)

・一般寸法公差：下記C公差を適用

General dimensional tolerance: Range C

100  
90  
80  
70  
60  
50  
40  
30  
20  
10

TOLERANCE UNLESS SPECIFIED			
RANGE	A	B	C
LESS THAN 6	±0.2	±0.1	±0.1
OVER 6 TO 20	±0.3	±0.2	±0.1
OVER 20 TO 50	±0.5	±0.3	±0.2
OVER 50 TO 100	±1.0	±0.5	±0.3
OVER 100 TO 300	±2.0	±1.0	±0.5
OVER 300 TO 500	±5.0	±2.5	±1.0
ANGLE	±2°		

ORIGINAL DATE 2021/07/07	MATERIAL (COMPOUND) Silicone rubber	TITLE DK-30M-275
SCALE 5:1	COLOR Clear	DRAWING NO. 21070706E
UNIT mm	HARDNESS A80	DESIGN T.Motoyanagi
SIZE A4	3RD ANGLE SYSTEM	DRAWN T.Motoyanagi
<p>ASAHI RUBBER INC. 株式会社朝日ラバー</p>		CHECKED S.Endo
		APPROVED E.Ishiguro

# ◆ASA COLOR LENS

Part number : DK-10M-275 / DK-30M-275

## Initial Properties

### 1. Physical Properties

Items	Materials : ASR-A80MC
Color	Transparent
Hardness JIS Type A	A80/S±5
Total light transmittance(t=2mm)	90% and more
Refractive index (25°C) (D-line 589 nm)	1.41±0.03

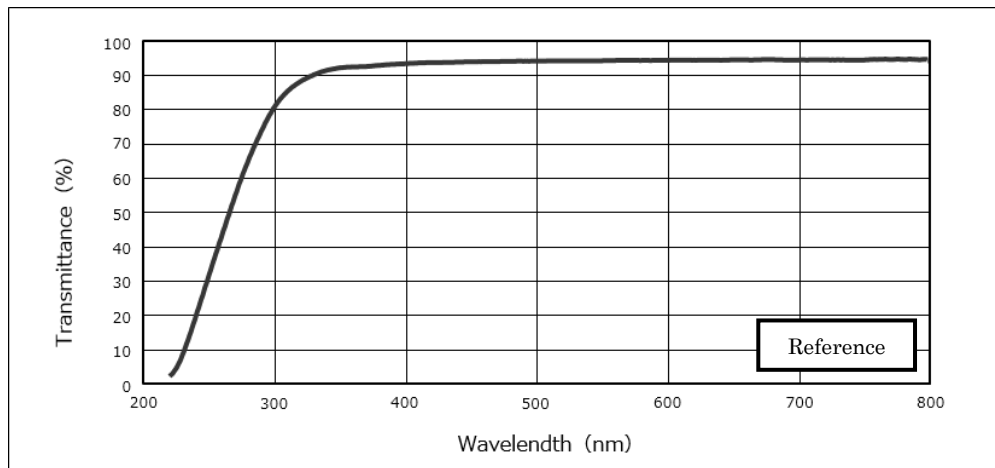


Figure1. Total light transmittance of ASR-A80MC (t=2mm)

### 2. Light Distribution Data

