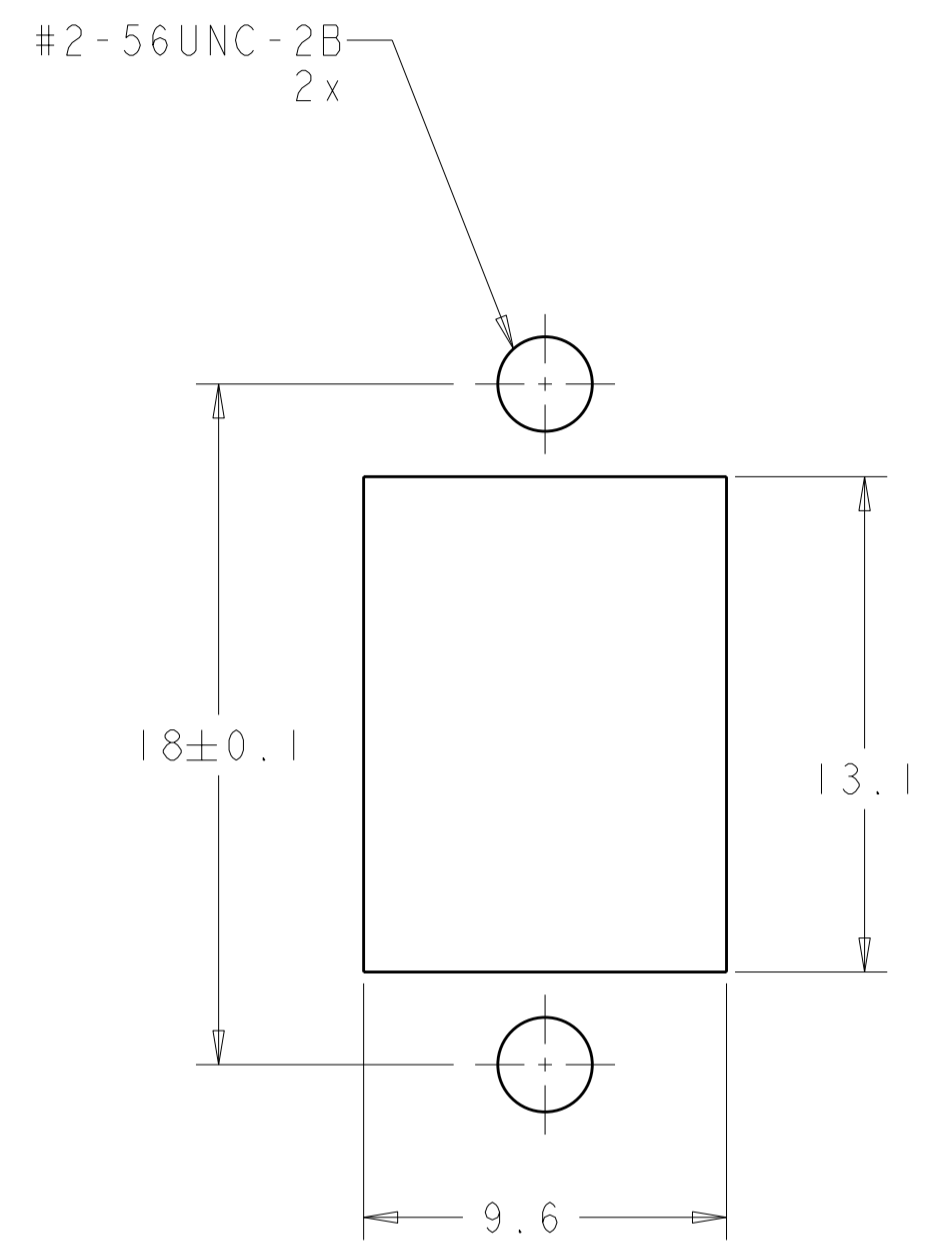
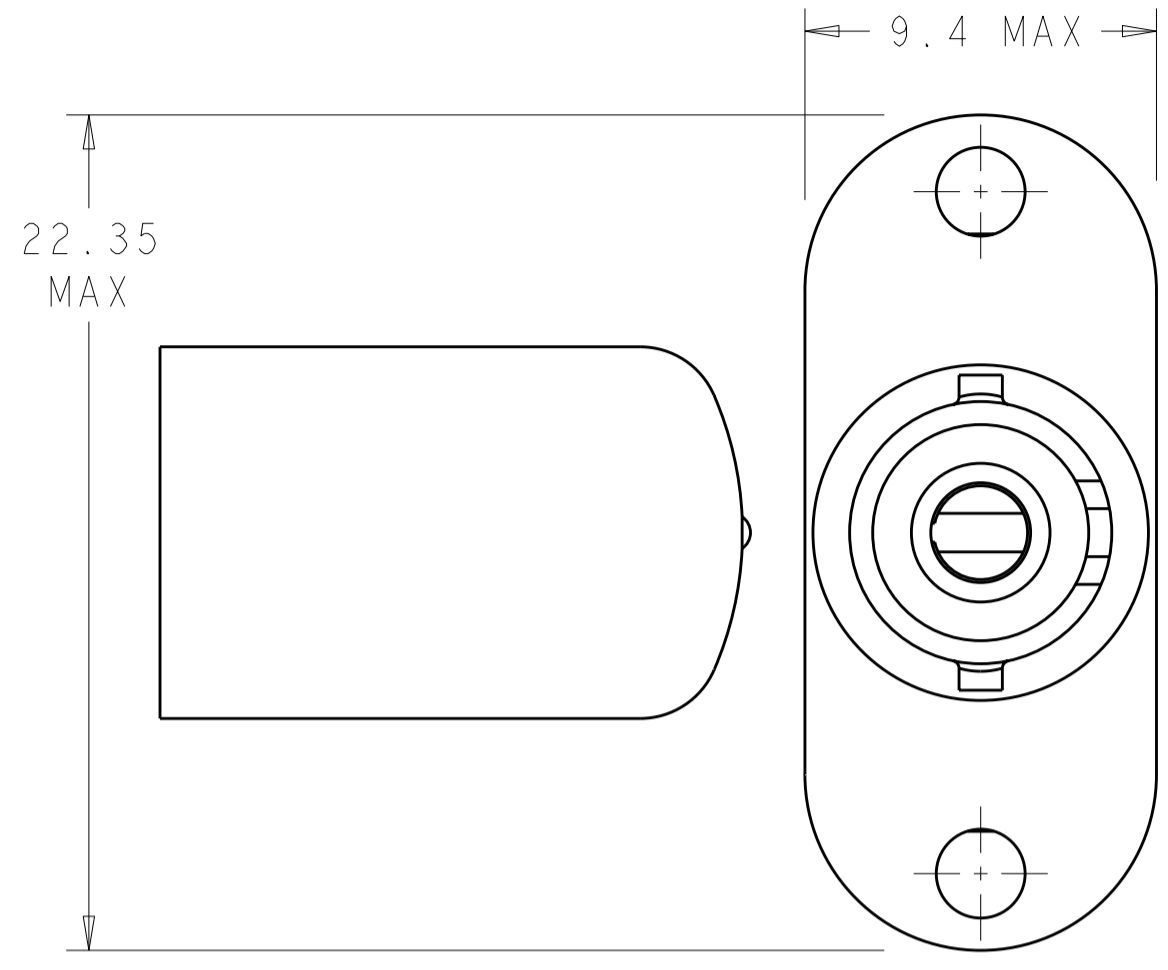
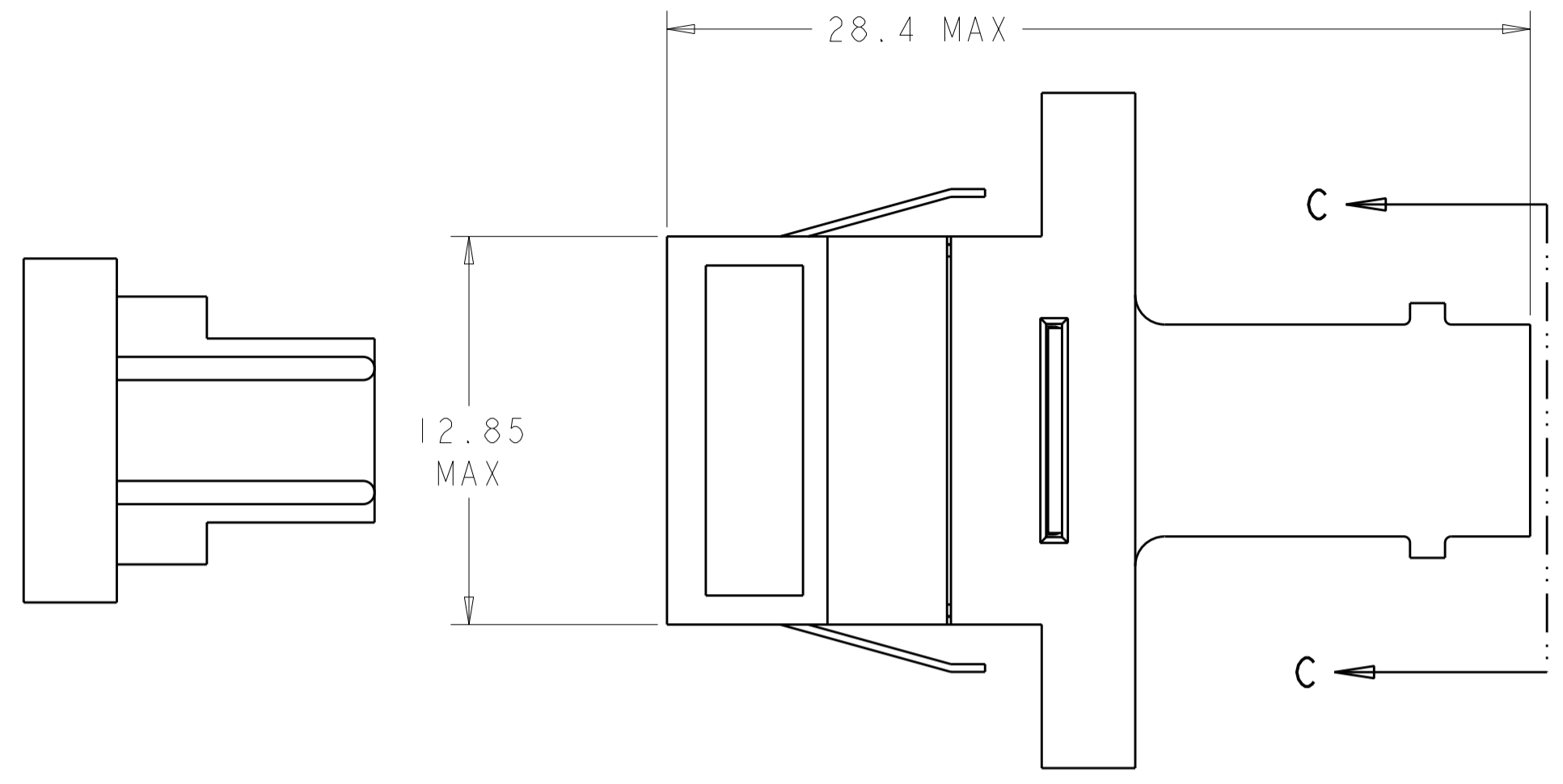


THIS DRAWING IS UNPUBLISHED. RELEASED FOR PUBLICATION 20
 © COPYRIGHT 20 ALL RIGHTS RESERVED.

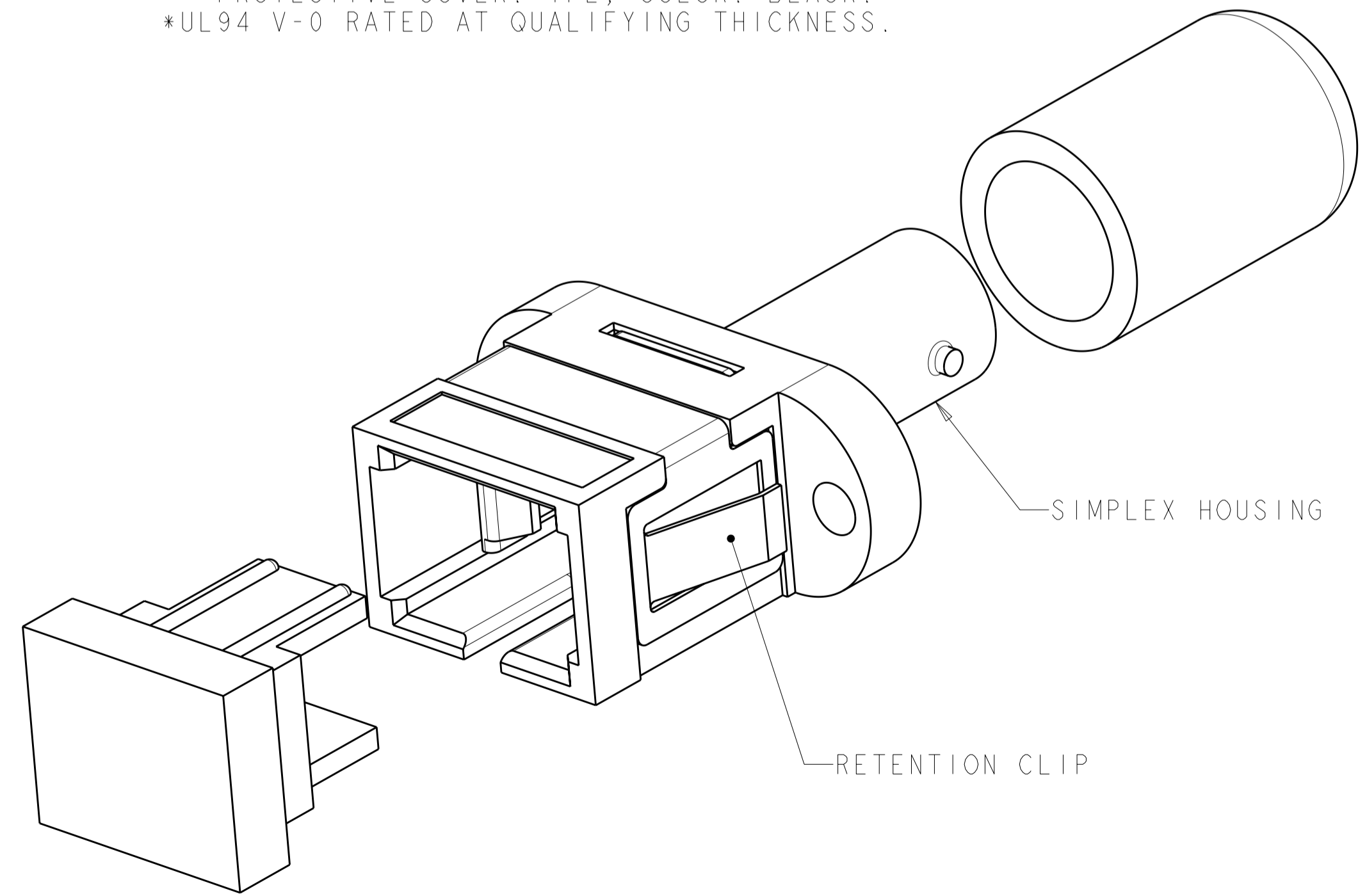
LOC CE DIST 00

REVISIONS				
P	LTR	DESCRIPTION	DATE	APVD
	CI	REVISED PER ECO-11-005027	17MAY2011	RK HMR



SUGGESTED PANEL CUTOUT
 MAX PANEL THICKNESS 1.7

MATERIAL:
 HOUSING: PBT-GF30, SEE DASH NUMBERS FOR COLOR.*
 RETAINER: PEI-GF30, COLOR: BLACK.*
 RETENTION CLIP: STAINLESS STEEL.
 ALIGNMENT SLEEVE: SEE DASH NUMBERS.
 PROTECTIVE CAP: VINYL.
 PROTECTIVE COVER: TPE, COLOR: BLACK.*
 *UL94 V-0 RATED AT QUALIFYING THICKNESS.



CERAMIC	AQUA	2-5502780-1
METAL	AQUA	2-5502780-0
CERAMIC	BEIGE	5502780-6
CERAMIC	BLUE	5502780-5
CERAMIC	BLACK	5502780-4
METAL	BEIGE	5502780-3
METAL	BLUE	5502780-2
METAL	BLACK	5502780-1
ALIGNMENT SLEEVE	COLOR	PART NUMBER

THIS DRAWING IS A CONTROLLED DOCUMENT.

DIMENSIONS:	TOLERANCES UNLESS OTHERWISE SPECIFIED:	DWN B. BRIGGS 13MAY2005	 TE Connectivity
mm	0 PLC ±	CHK S. MILLER 13MAY2005	
	1 PLC ±0.1	APVD S. BUCHTER 13MAY2005	
	2 PLC ±0.05	PRODUCT SPEC	
	3 PLC ±	APPLICATION SPEC	NAME
	4 PLC ±	WEIGHT	RECEPTACLE ASSEMBLY, AMP SC TO BAYONET
MATERIAL	ANGLES ±	SCALE	SIZE CAGE CODE DRAWING NO RESTRICTED TO
	FINISH	5:1	A200779 C-5502780
		SHEET	REV

CUSTOMER DRAWING