

1

2

3

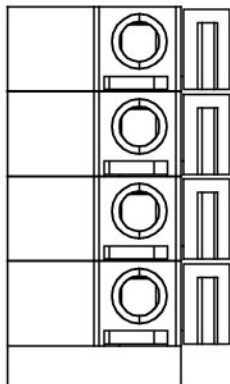
4

5

6

7

A



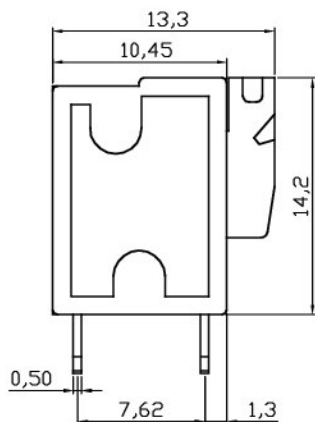
B

C

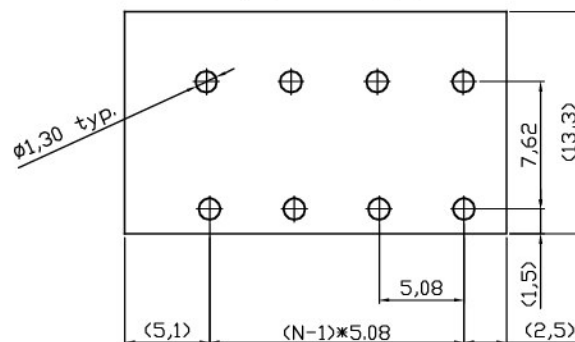
D

E

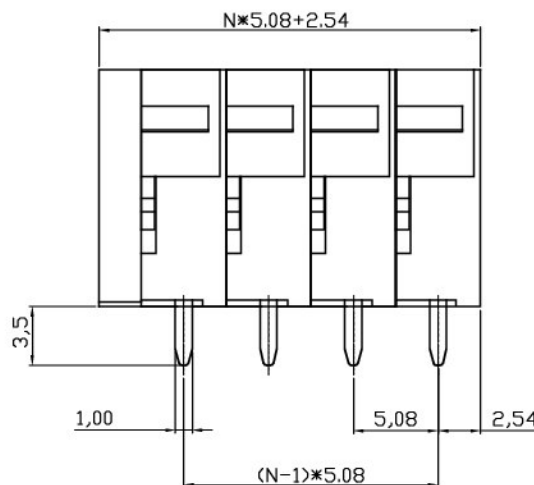
F



## P.C.B. LAYOUT



N=Number of contacts



## Material

Terminal body (Contact pin): Brass  
 Wire guard: Stainless steel  
 Surface of solder tail: Tin plated  
 Insulator (housing): Thermoplastic (UL94V-0), Green

## Electrical

cULus/VDE  
 Voltage rating: 300VAC/250VAC  
 Current rating: 10A/10A  
 Wire range: 0.75-1.5mm<sup>2</sup>  
 Solid wire(AWG): 14-24  
 Stranded wire(AWG): 14-24

Pull force:

Screw:

Wire strip length: 6-7mm

Withstanding Voltage: 1.6KV/2KV

Operating temperature: -40°C to +115°C

Soldering temperature: 250°C±10°C/5 Sec

Safety Approval:



RoHS compliant



| Scale     | 1:1   |     |              |            |          | Date     | Name       | Customer-No. |
|-----------|-------|-----|--------------|------------|----------|----------|------------|--------------|
| TOLERANCE |       |     |              |            |          |          |            |              |
| X.        | ±0.50 |     |              |            |          | Drawn    | 23.01.2008 | N.Schulz     |
| X.X       | ±0.30 |     |              |            |          | Approved | 28.06.2010 | Hellwig      |
| X.XX      | ±0.10 | ③   | Update UL    | 23.03.2017 | C.Bakula |          |            |              |
| DIM TOL   |       |     |              |            |          |          |            |              |
| X.°       | ±1°   | ②   | Update       | 28.06.2010 | Alex     |          |            |              |
| X.X°      | ±X°   | ①   | Drawn        | 23.01.2008 | N.Schulz |          |            |              |
| Angle     | TOL   | Id. | Modification | Date       | Name     | Replace  |            |              |

ASSMANN WSW-No.  
**A-TB508 - HAxxV**

Drawing-No.  
**ASS 2466 CO** rev03

Sheet

1

2

3

4

5

6

7

H

H